

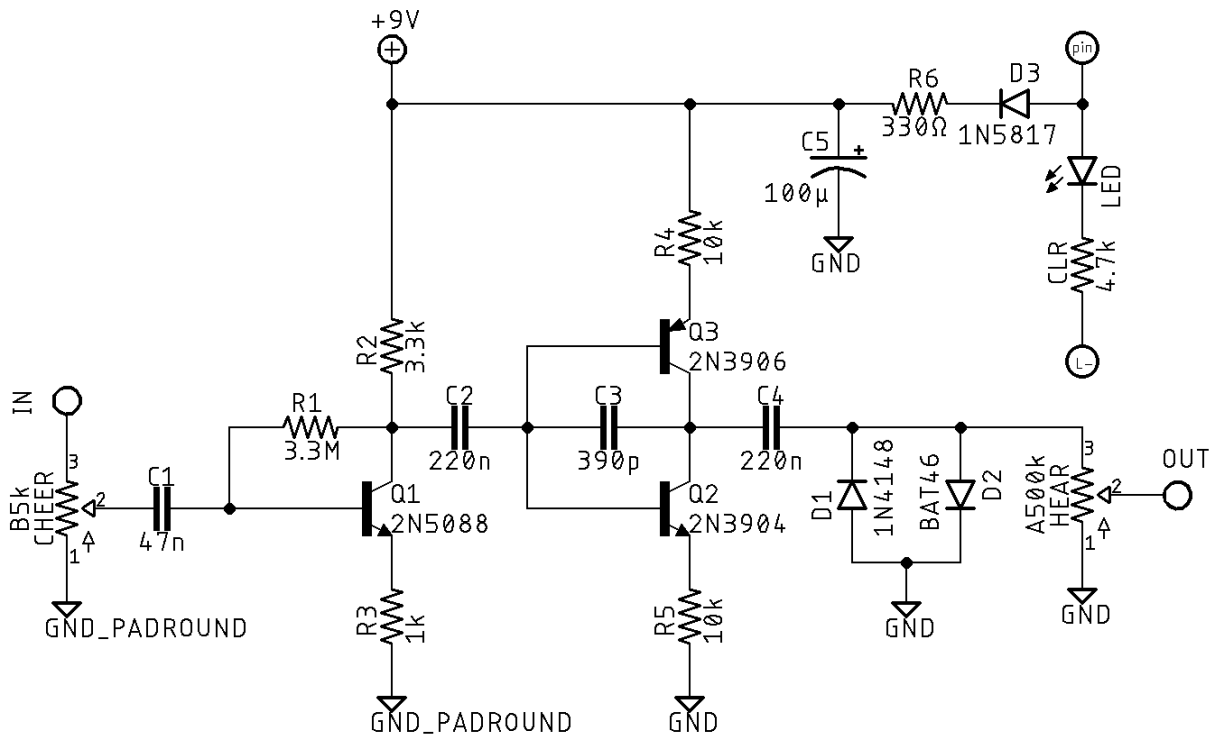
CHRISTMAS FUZZ 2023

DESCRIPTION

Build a festive fuzz, use it as an ornament, heck hang it from your rearview mirror (it's not scented though). Based on the Lovepedal Karl and Tim Escobedo Tripple Fuzz, this fuzz uses a non-selective frequency tripler (aka the PNP/NPN transistor network). It offers a fairly wide range of fuzz tones and is ripe for some experimentation. And it looks like a Christmas tree.

...Or an air freshener.

SCHEMATIC



BOM

Resistors

R1	3.3M
R2	3.3k
R3	1k
R4	10k
R5	10k
R6	330Ω
CLR	4.7k

Capacitors

C1	47n
C2	220n
C3	390p
C4	220n
C5	100μ

Semiconductors

D1	1N4148
D2	BAT41
D3	1N5817

LED	3 or 5mm
Q1	2N5088
Q2	2N3904
Q3	2N3906

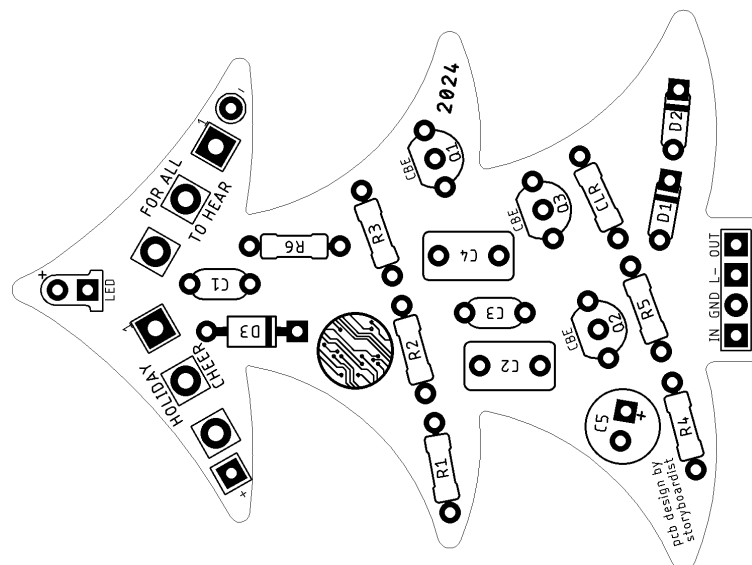
Electromechanical

Holiday Cheer	B5k
For all to Hear	A500k

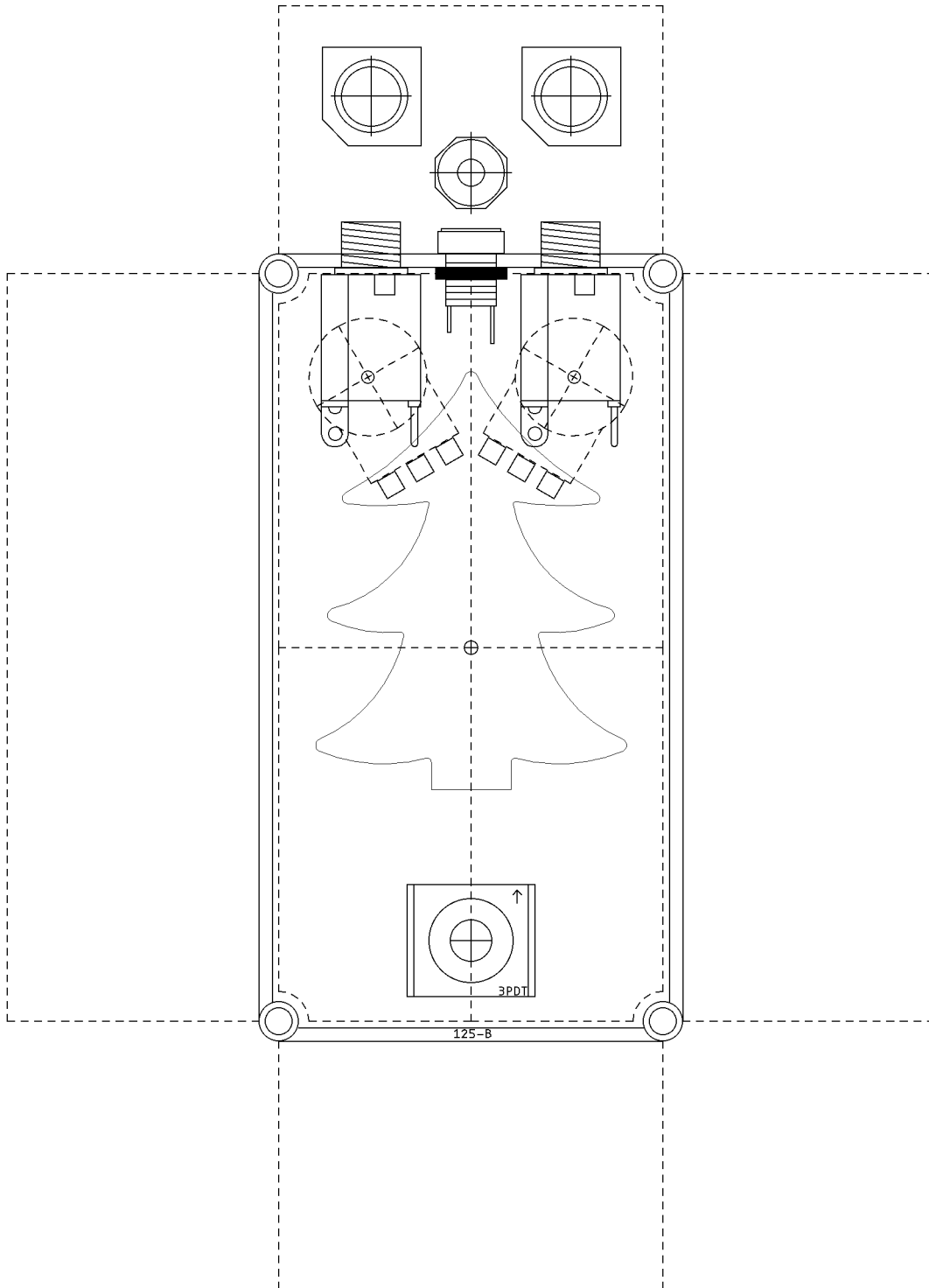
SHOPPING LIST

Part	Type (suggested)	Quantity
330Ω	¼ watt metal or carbon film	1
1k	¼ watt metal or carbon film	1
3.3k	¼ watt metal or carbon film	1
4.7k	¼ watt metal or carbon film	1
10k	¼ watt metal or carbon film	2
3.3M	¼ watt metal or carbon film	1
390p	Ceramic	1
47n	Film	1
220n	Film	2
100μ	Electrolytic (25v+)	1
1N4148	Silicon switching diode	1
1N5817	Schottky rectifier diode	1
2N3904	NPN BJT	1
2N3906	PNP BJT	1
2N5088	NPN BJT	1
BAT41	Schottky diode	1
LED	3 or 5mm	1
A500k	16mm right angle PC mount potentiometer	1
B5k	16mm right angle PC mount potentiometer	1

LAYOUT



DRILL TEMPLATE (125B)



EFFECTS LAYOUTS © 2023
For DIY and small commercial applications.
Not for non-peer to peer resale.