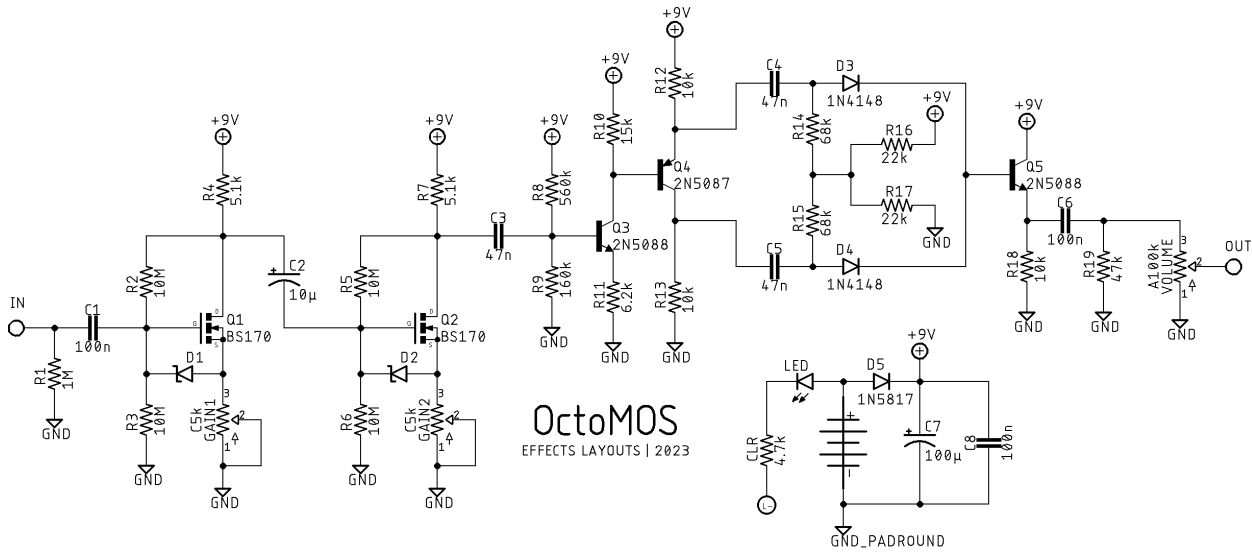


OCTOMOS

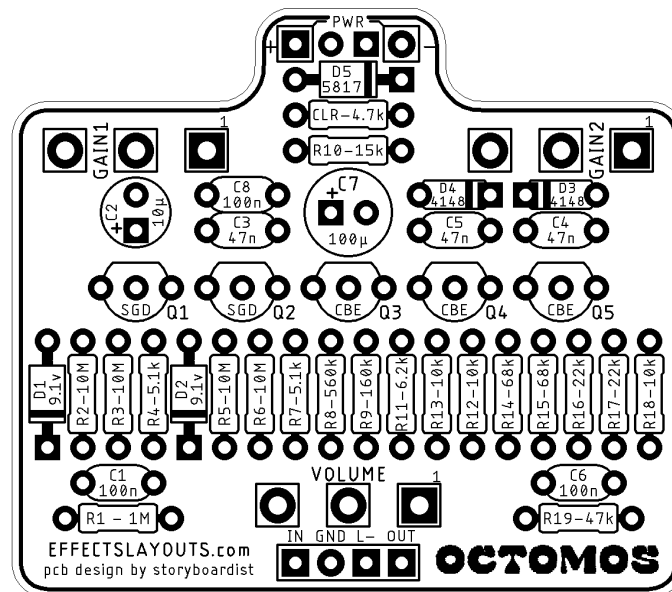
DESCRIPTION

Have you ever wondered what would happen if you stacked two SHOs and ran them into a Green Ringer? The OCTOMOS is precisely that and inspired by the JPTR FX Silver Machine. It features 2 independent gain controls for each MOSFET stage, with a master volume after the octave stage.

SCHEMATIC



LAYOUT



BOM

Resistors

R1	1M
R2	10M
R3	10M
R4	5.1k
R5	10M
R6	10M
R7	5.1k
R8	560k
R9	160k
R10	15k
R11	6.2k
R12	10k
R13	10k
R14	68k
R15	68k
R16	22k
R17	22k
R18	10k
R19	47k
CLR	4.7k

Capacitors

C1	100n
C2	10μ

C3	47n
C4	47n
C5	47n
C6	100n
C7	100μ
C8	100n (ceramic)

Semiconductors

D1	1N4739A
D2	1N4739A
D3	1N4148
D4	1N4148
D5	1N5817
LED	3 or 5mm
Q1	BS170
Q2	BS170
Q3	2N5088
Q4	2N5087
Q5	2N5088

Electromechanical

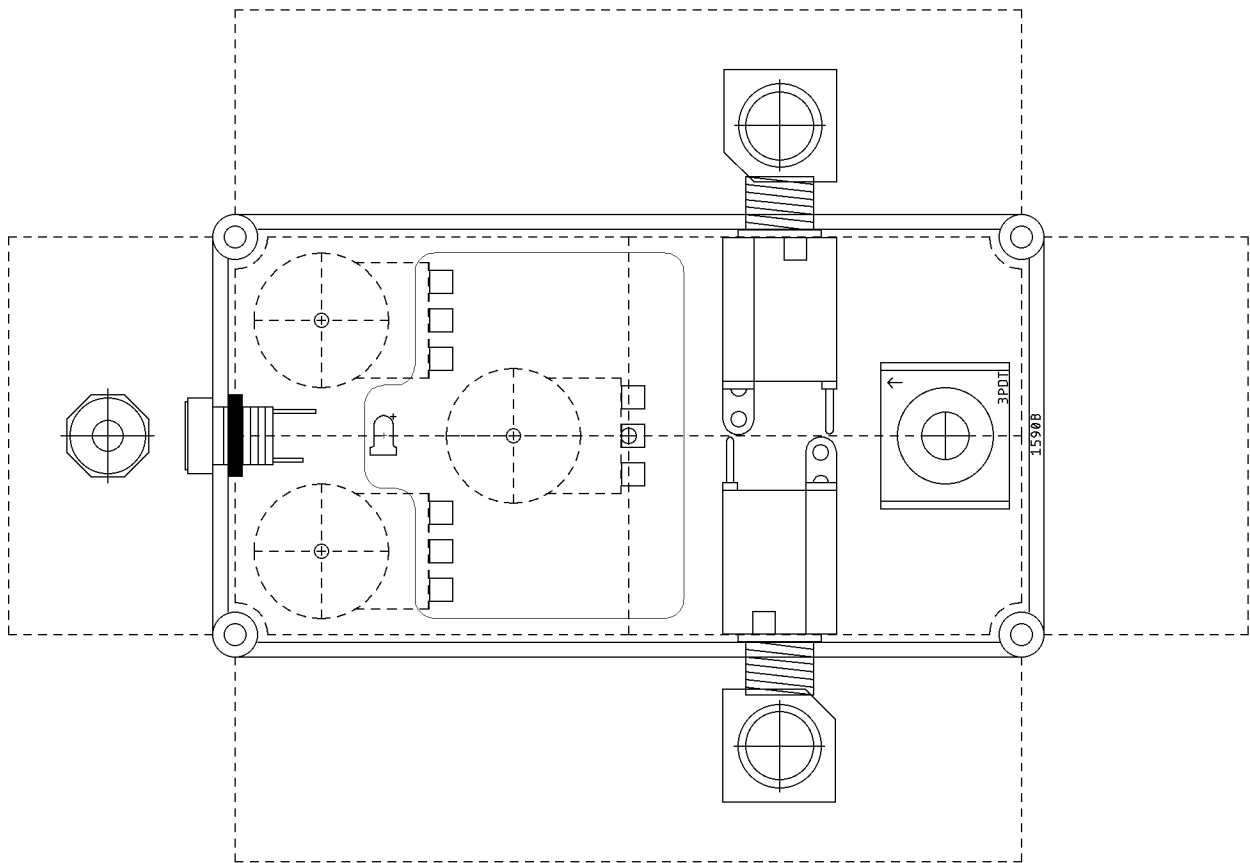
GAIN1	C5k
GAIN2	C5k
VOLUME	A100k

SHOPPING LIST

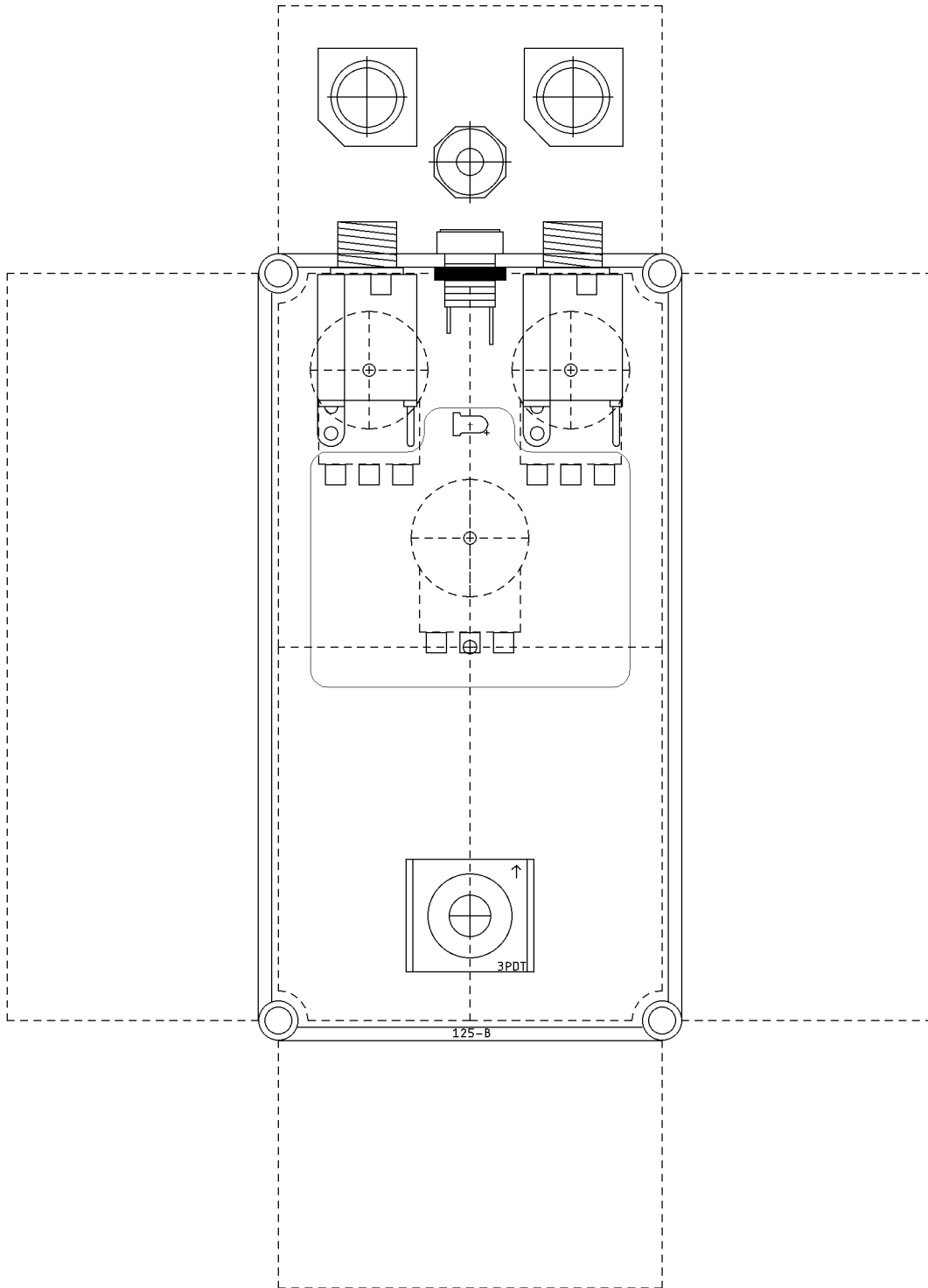
Value	Type (suggested)	Quantity
4.7k	¼ watt metal or carbon film	1
5.1k	¼ watt metal or carbon film	2
6.2k	¼ watt metal or carbon film	1
10k	¼ watt metal or carbon film	3
15k	¼ watt metal or carbon film	1
22k	¼ watt metal or carbon film	2
47k	¼ watt metal or carbon film	1
68k	¼ watt metal or carbon film	2
160k	¼ watt metal or carbon film	1
560k	¼ watt metal or carbon film	1
1M	¼ watt metal or carbon film	1
10M	¼ watt metal or carbon film	4
47n	Film	3
100n	Ceramic	1

100n	Film	2
10μ	Electrolytic (25v+)	1
100μ	Electrolytic (25v+)	1
1N4148	Switching diode	2
1N4739A	9.1v Zener	2
1N5817	Schottky rectifier diode	1
2N5087	PNP BJT	1
2N5088	NPN BJT	2
BS170	MOSFET	2
LED	3 or 5mm	1
A100k	16mm right angle PC mount potentiometer	1
C5k	16mm right angle PC mount potentiometer	2

DRILL TEMPLATE (1590B)



DRILL TEMPLATE (125B)



EFFECTS LAYOUTS © 2023
For DIY and small commercial applications.
Not for non-peer to peer resale.