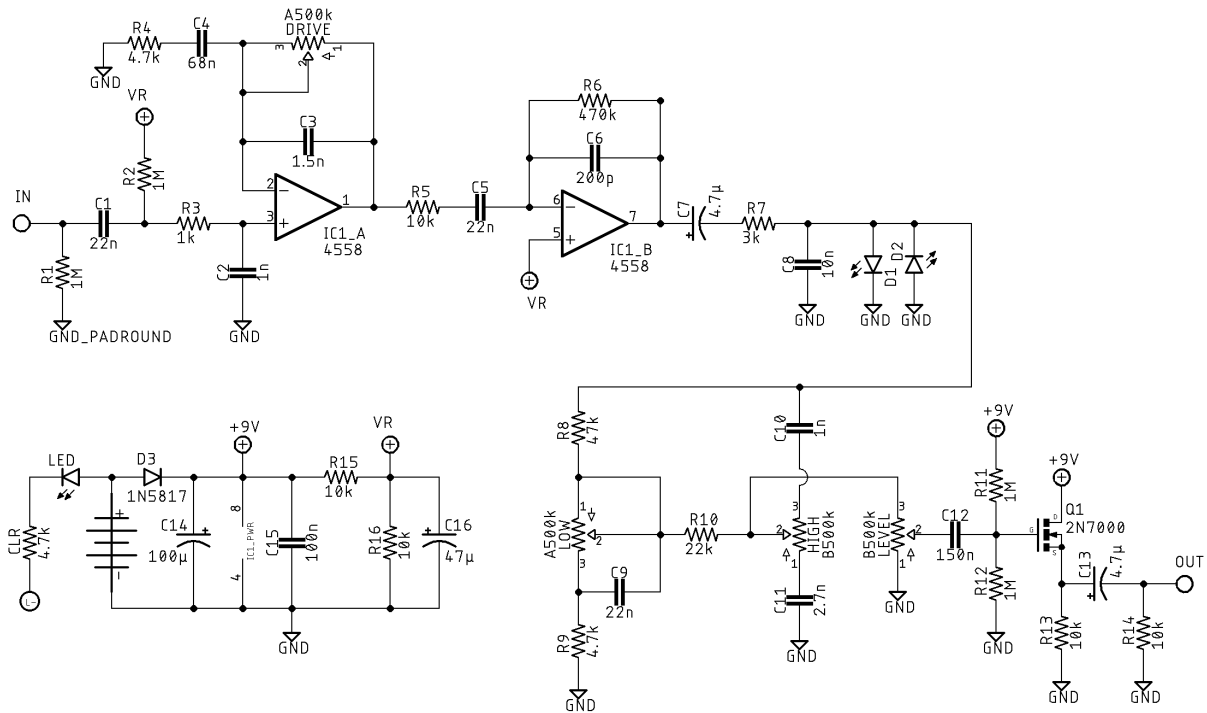


LEAD FOOT

DESCRIPTION

The LEAD FOOT is a more aggressive distortion based on the early 90s Rostex Turbo Metal. Rostex was a cooperative that started up in the former Soviet Union and produced a number of pedals. The LEAD FOOT features hard LED clipping and a 2-band EQ and MOSFET output buffer.

SCHEMATIC



BOM

Resistors

R1	1M
R2	1M
R3	1k
R4	4.7k
R5	10k
R6	470k
R7	3k
R8	47k
R9	4.7k
R10	22k
R11	1M
R12	1M
R13	10k
R14	10k
R15	10k
R16	10k
CLR	4.7k

Capacitors

C1	22n
C2	1n
C3	1.5n
C4	68n
C5	22n
C6	200p

C7	4.7μ
C8	10n
C9	22n
C10	1n
C11	2.7n
C12	150n
C13	4.7μ
C14	100μ
C15	100n
C16	47μ

Semiconductors

D1	3mm red LED
D2	3mm red LED
D3	1N5817
IC1	4558
LED	3 or 5mm LED
Q1	2N7000

Electromechanical

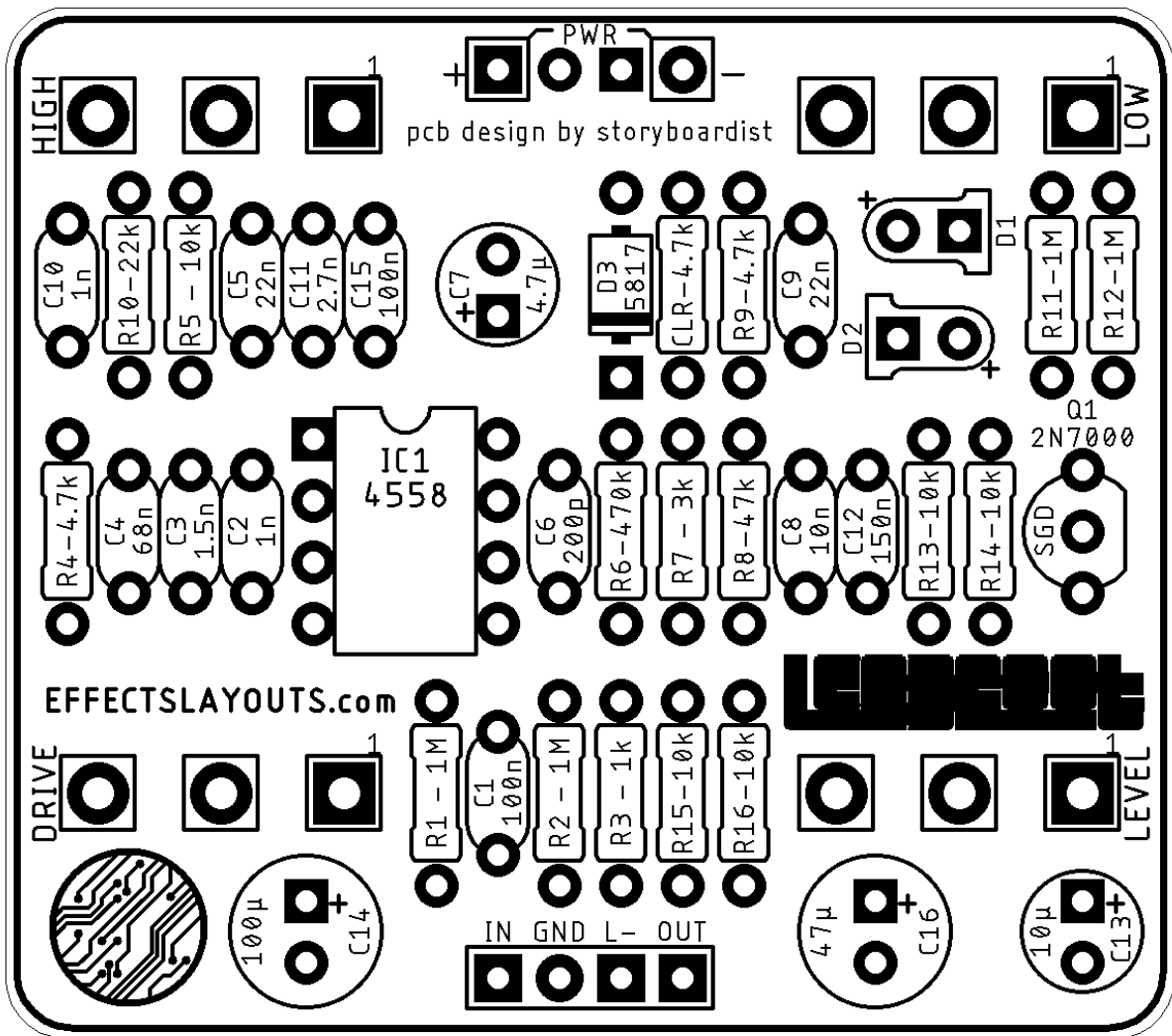
Drive	A500k
High	B500k
Level	B500k
Low	A500k

SHOPPING LIST

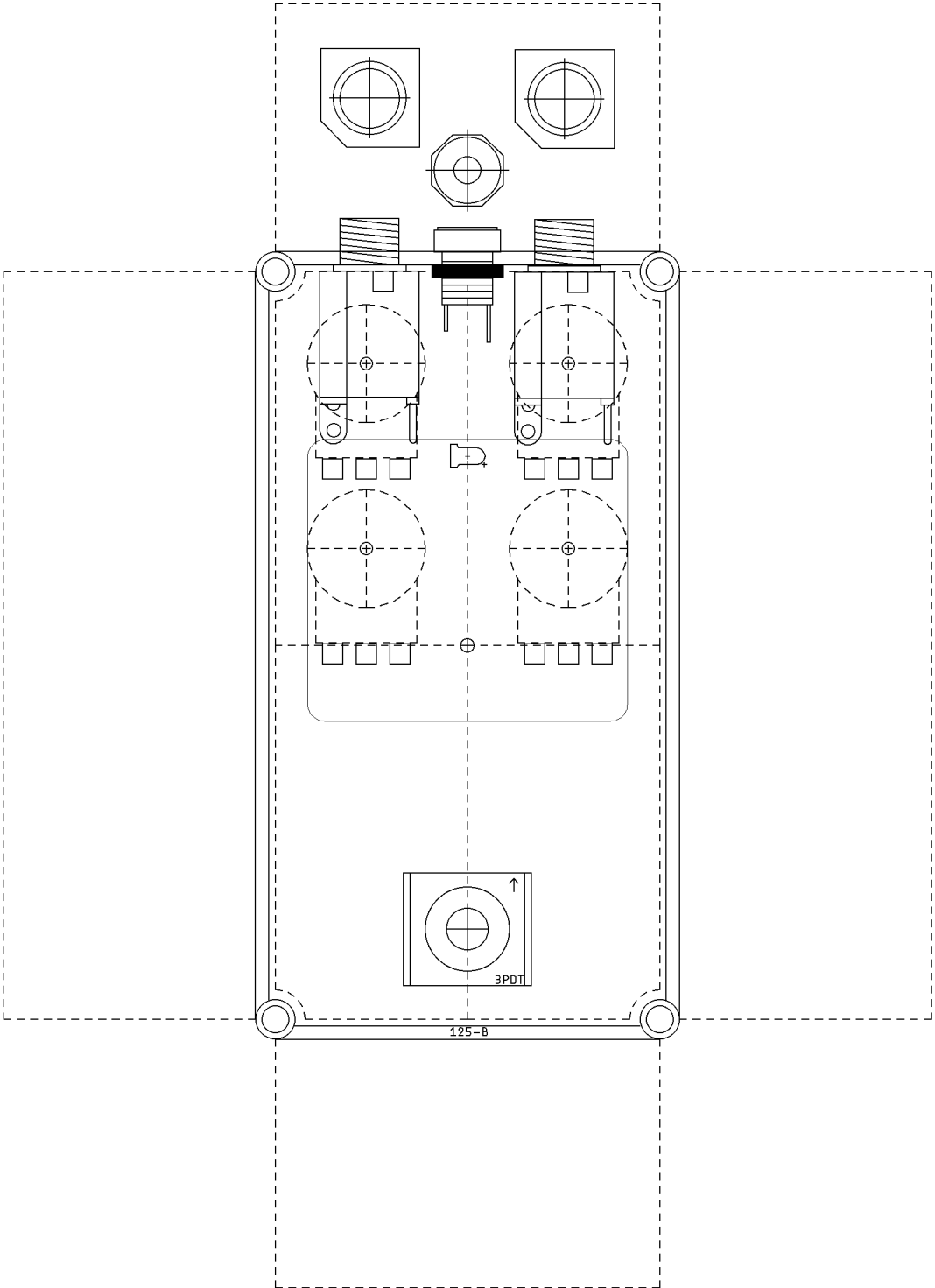
Value	Type (suggested)	Quantity
1k	¼ watt metal or carbon film	1
3k	¼ watt metal or carbon film	1
4.7k	¼ watt metal or carbon film	3
10k	¼ watt metal or carbon film	5
22k	¼ watt metal or carbon film	1
47k	¼ watt metal or carbon film	1
470k	¼ watt metal or carbon film	1
1M	¼ watt metal or carbon film	4
200p	Ceramic	1
1n	Film	2
1.5n	Film	1
2.7n	Film	1
10n	Film	1
22n	Film	3

68n	Film	1
100n	Ceramic	1
150n	Film	1
4.7μ	Electrolytic (25v+)	2
47μ	Electrolytic (25v+)	1
100μ	Electrolytic (25v+)	1
1N5817	Schottky rectifier diode	1
2N7000	MOSFET	1
4558	Dual op amp	1
LED	3 or 5mm	1
Red LED	3mm red diffused	2
A500k	16mm right angle PC mount	2
B500k	16mm right angle PC mount	2

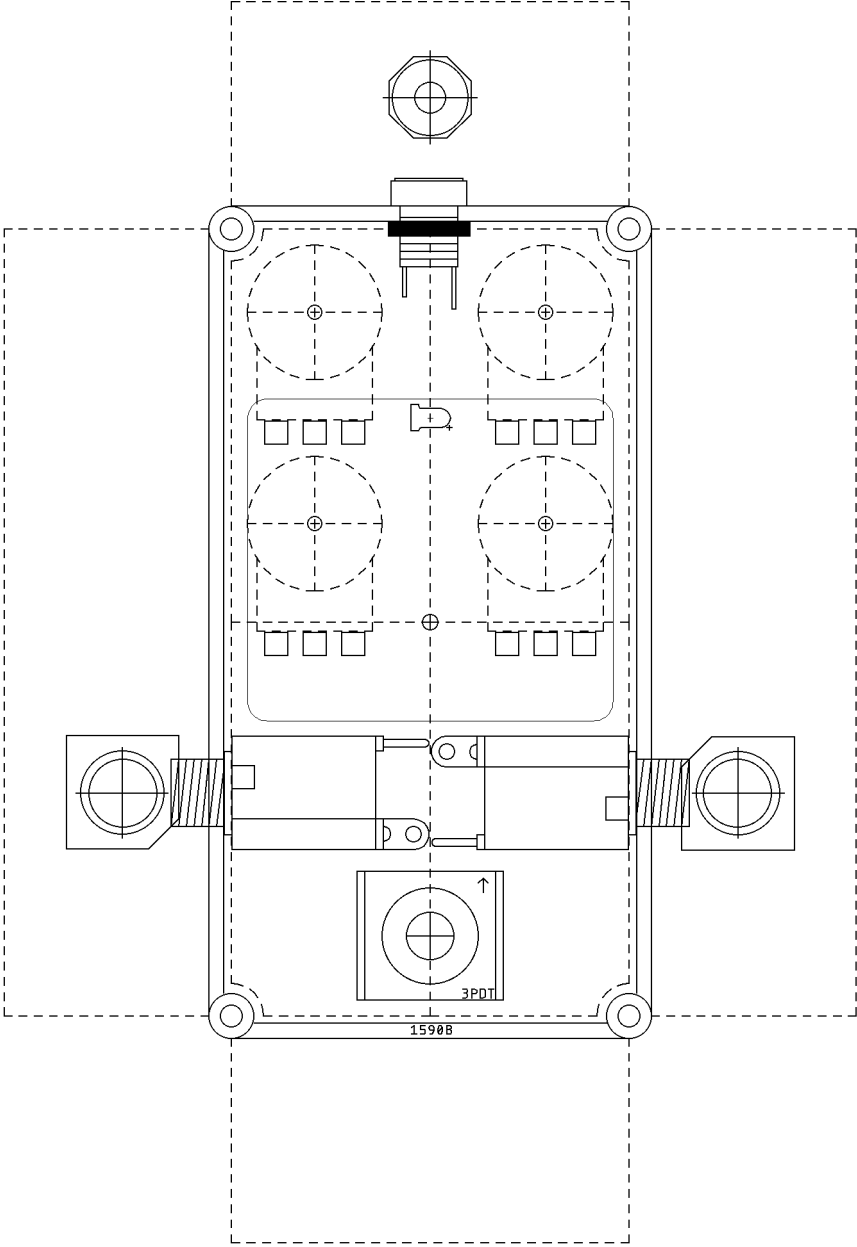
LAYOUT



DRILL TEMPLATE (125B)



DRILL TEMPLATE (1590B)



EFFECTS LAYOUTS © 2023
For DIY and small commercial applications.
Not for non-peer to peer resale.