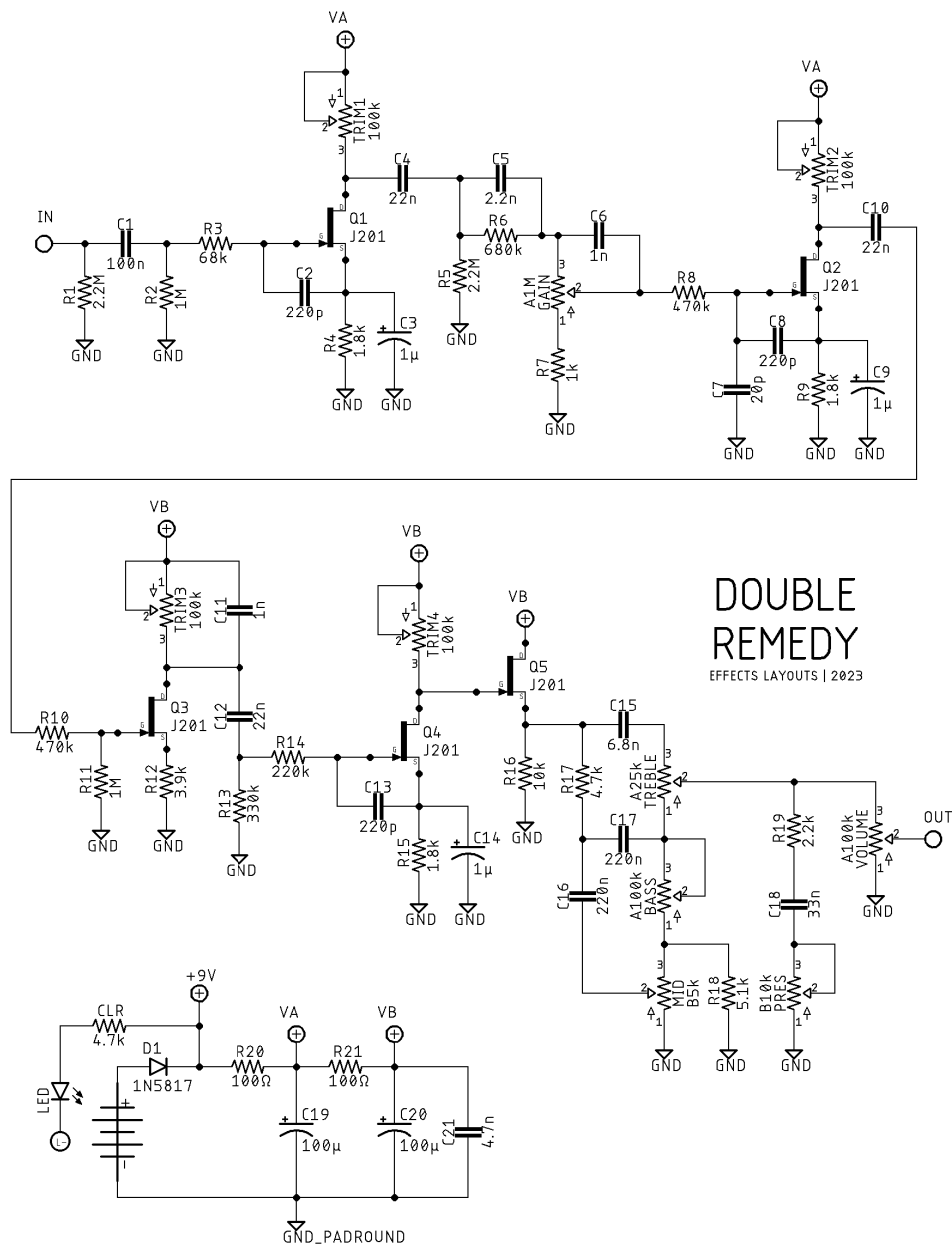


Double Remedy

DESCRIPTION

The DOUBLE REMEDY is a JFET emulation of the MESA/Boogie Dual Rectifier, otherwise known as the Dr. Boogey. It was originally designed by *electrictab* and has been a DIY classic for well over a decade. It's a bit of a tight build but will fit nicely in either a 1590B or 125B. SMD pads for the JFETs are provided in addition to through-hole pads.

SCHEMATIC



BOM

Resistors

R1	2.2M
R2	1M
R3	68k
R4	1.8k
R5	2.2M
R6	680k
R7	1k
R8	470k
R9	1.8k
R10	470k
R11	1M
R12	3.9k
R13	330k
R14	220k
R15	1.8k
R16	10k
R17	4.7k
R18	5.1k
R19	2.2k
R20	100Ω
R21	100Ω
CLR	4.7k

Capacitors

C1	100n
C2	220p
C3	1μ
C4	22n
C5	2.2n
C6	1n
C7	20p
C8	220p
C9	1μ

C10	22n
C11	1n
C12	22n
C13	220p
C14	1μ
C15	6.8n
C16	220n
C17	220n
C18	33n
C19	100μ
C20	100μ
C21	4.7n

Semiconductors

D1	1N5817
LED	3 or 5mm
Q1	J201 or MMBFJ201
Q2	J201 or MMBFJ201
Q3	J201 or MMBFJ201
Q4	J201 or MMBFJ201
Q5	J201 or MMBFJ201

Electromechanical

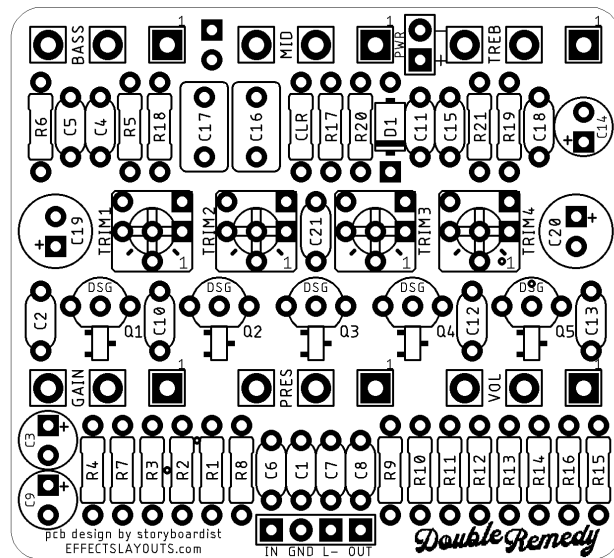
BASS	A100k
GAIN	A1M
MID	B5k
PRES	B10k
TREBLE	A25k
TRIM1	100k
TRIM2	100k
TRIM3	100k
TRIM4	100k
VOLUME	A100k

SHOPPING LIST

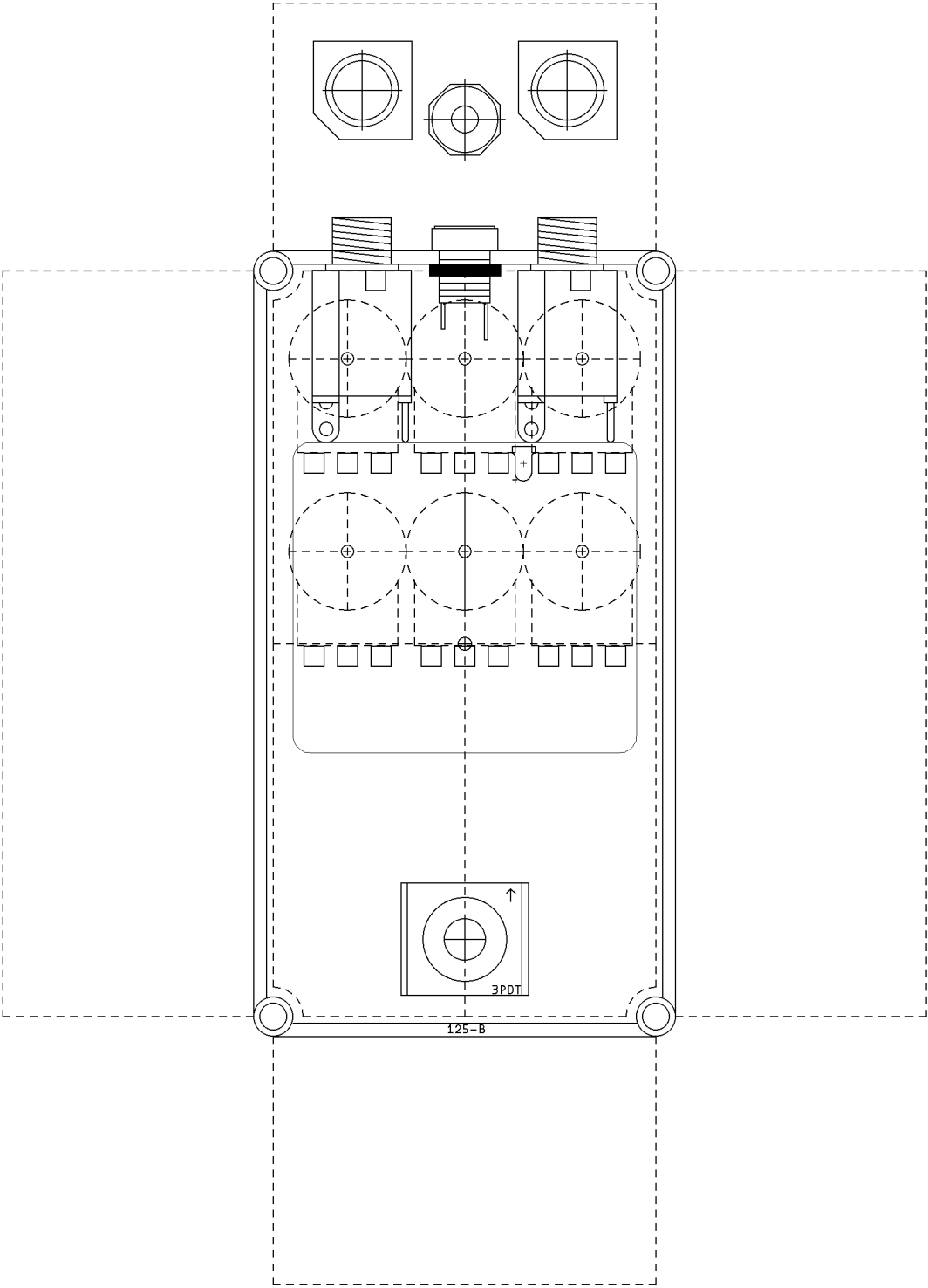
Value	Type (suggested)	Quantity
100Ω	¼ watt metal or carbon film	2
1k	¼ watt metal or carbon film	1
1.8k	¼ watt metal or carbon film	3
2.2k	¼ watt metal or carbon film	1
3.9k	¼ watt metal or carbon film	1

4.7k	¼ watt metal or carbon film	2
5.1k	¼ watt metal or carbon film	1
10k	¼ watt metal or carbon film	1
68k	¼ watt metal or carbon film	1
220k	¼ watt metal or carbon film	1
330k	¼ watt metal or carbon film	1
470k	¼ watt metal or carbon film	2
680k	¼ watt metal or carbon film	1
1M	¼ watt metal or carbon film	2
2.2M	¼ watt metal or carbon film	2
20p	Ceramic	1
220p	Ceramic	3
1n	Film	2
2.2n	Film	1
4.7n	Film	1
6.8n	Film	1
22n	Film	3
33n	Film	1
100n	Film	1
220n	Film	2
1µ	Electrolytic (25v+)	3
100µ	Electrolytic (25v+)	2
1N5817	Schottky rectifier diode	1
LED	3 or 5mm	1
J201	JFET	5
100k	Trimmer	4
A25k	16mm right angle PC mount	1
A100k	16mm right angle PC mount	2
A1M	16mm right angle PC mount	1
B5k	16mm right angle PC mount	1
B10k	16mm right angle PC mount	1

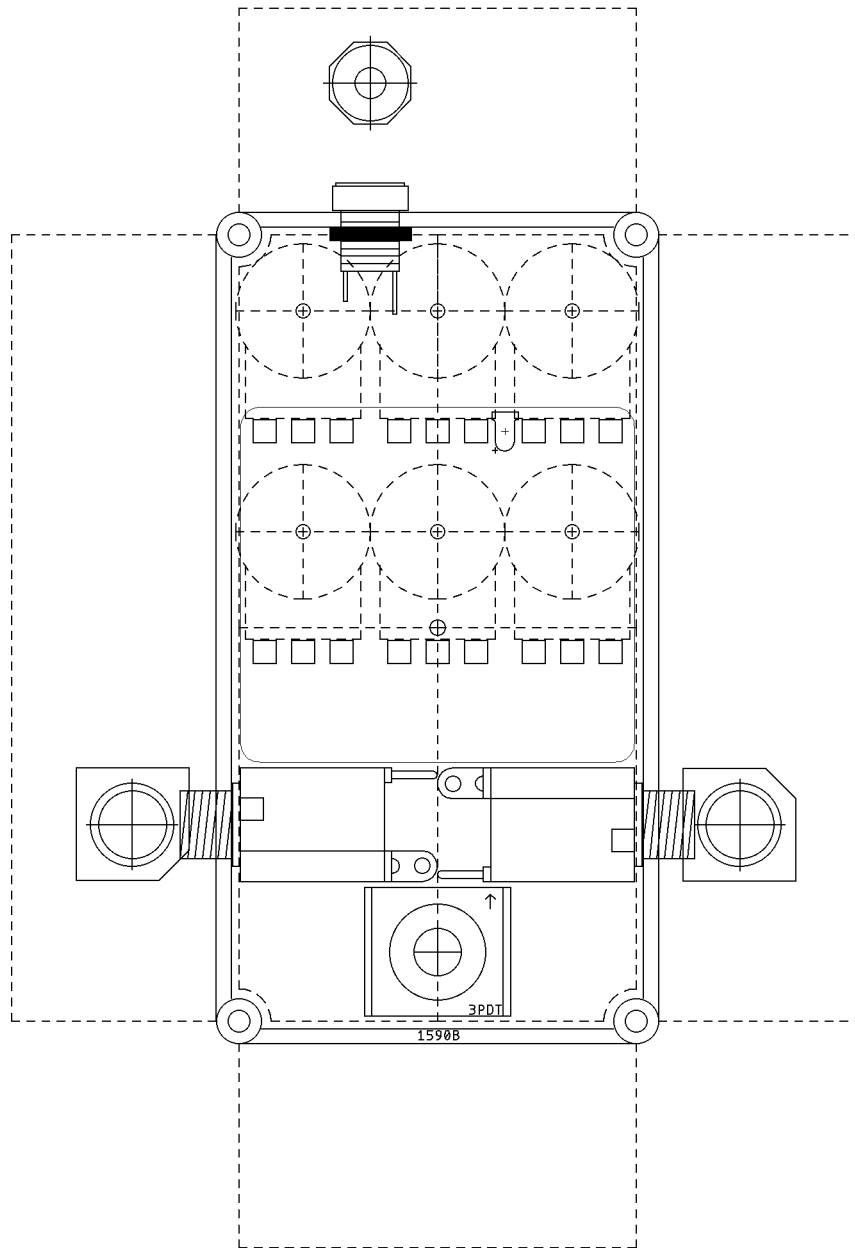
LAYOUT



DRILL TEMPLATE (125B)



DRILL TEMPLATE (1590B)



EFFECTS LAYOUTS © 2023
For DIY and small commercial applications.
Not for non-peer to peer resale.