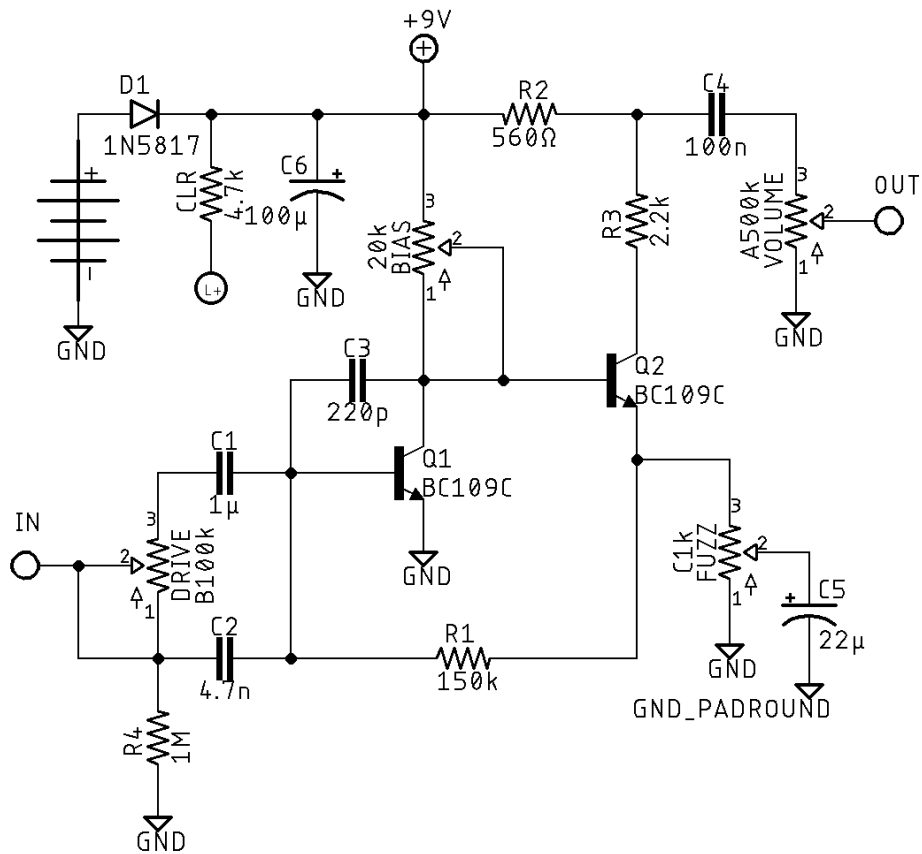


BLACK BITER

DESCRIPTION

The BLACK BITER is a modified silicon Fuzz Face based on the Emanating Fist (D*A*M) Black Acid. Circuit topology-wise, it's a fairly standard FF with an added input cap blend pot (Drive) and a trim pot for Q1. Tonally it differs from a FF with more output, tight low end, and heavy saturation.

SCHEMATIC



BOM

Resistors

R1	150k
R2	560Ω
R3	2.2k
R4	1M
CLR	4.7k

Capacitors

C1	1μ
C2	4.7n
C3	220p
C4	100n
C5	22μ

C6	100μ
----	------

Semiconductors

D1	1N5817
Q1	BC109C
Q2	BC109C

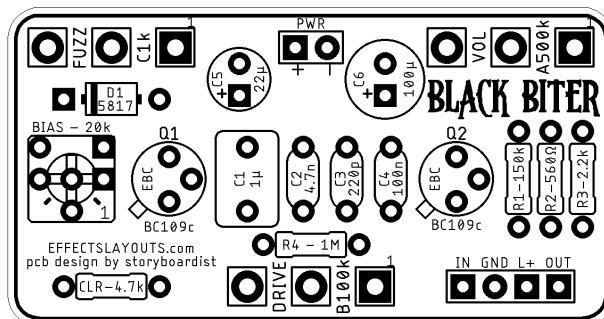
Electromechanical

Bias	20k
Drive	B100k
Fuzz	C1k
Volume	A500k

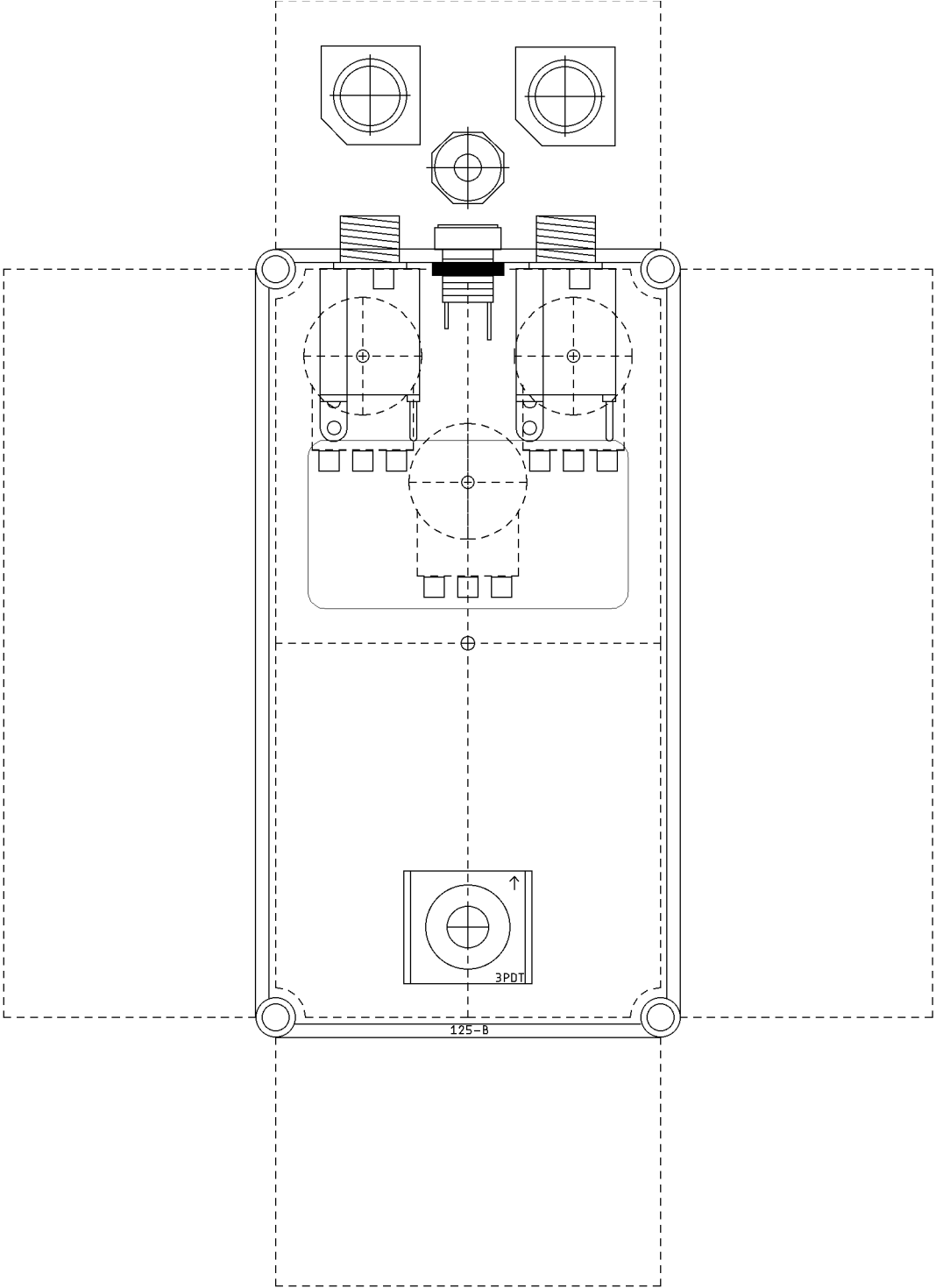
SHOPPING LIST

Value	Type (suggested)	Quantity
560Ω	¼ watt metal or carbon film	1
2.2k	¼ watt metal or carbon film	1
4.7k	¼ watt metal or carbon film	1
150k	¼ watt metal or carbon film	1
1M	¼ watt metal or carbon film	1
220p	Ceramic	1
4.7n	Film	1
100n	Film	1
1μ	Film	1
22μ	Electrolytic (25v+)	1
100μ	Electrolytic (25v+)	1
1N5817	Schottky rectifier diode	1
BC109C	BJT	2
20k	Trimmer	1
A500k	16mm right angle PC mount	1
B100k	16mm right angle PC mount	1
C1k	16mm right angle PC mount	1

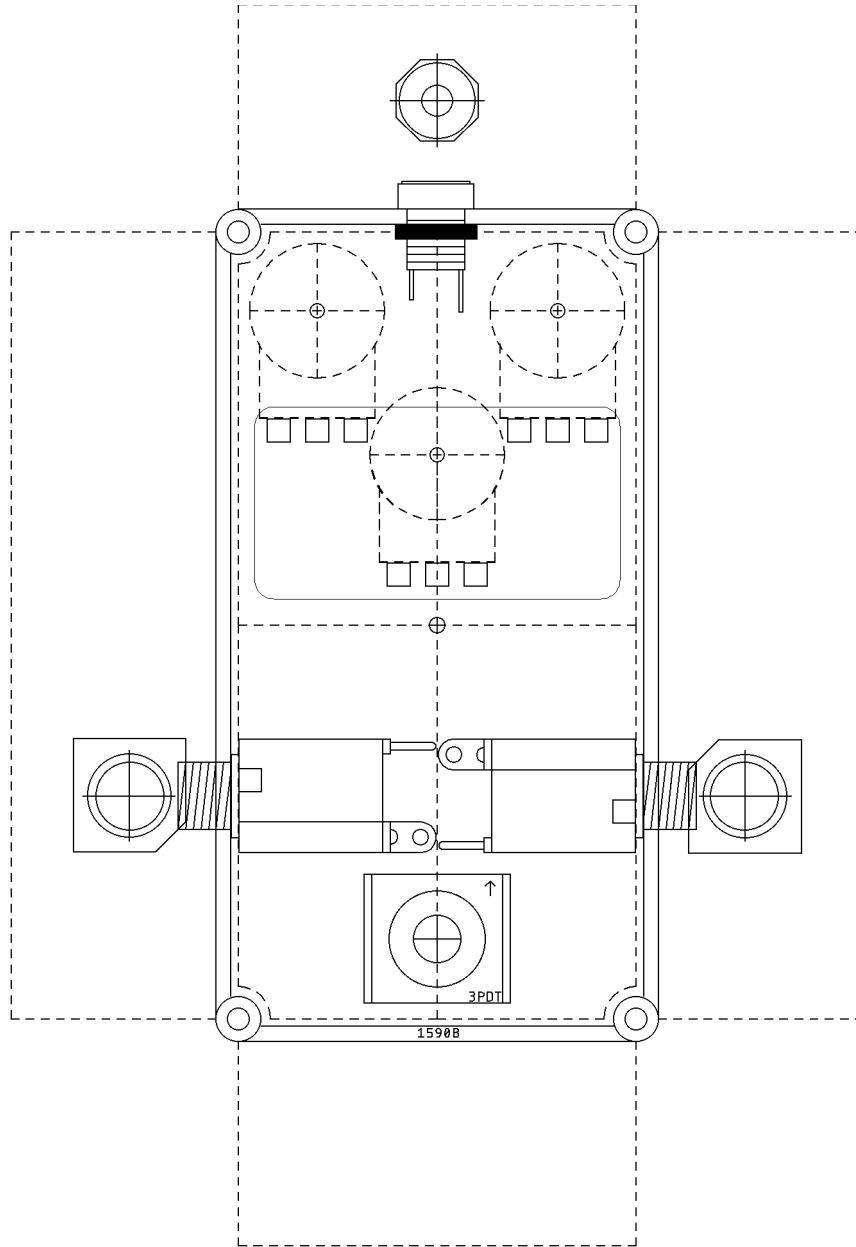
LAYOUT



DRILL TEMPLATE (125B)



DRILL TEMPLATE (1590B)



EFFECTS LAYOUTS © 2023
For DIY and small commercial applications.
Not for non-peer to peer resale.