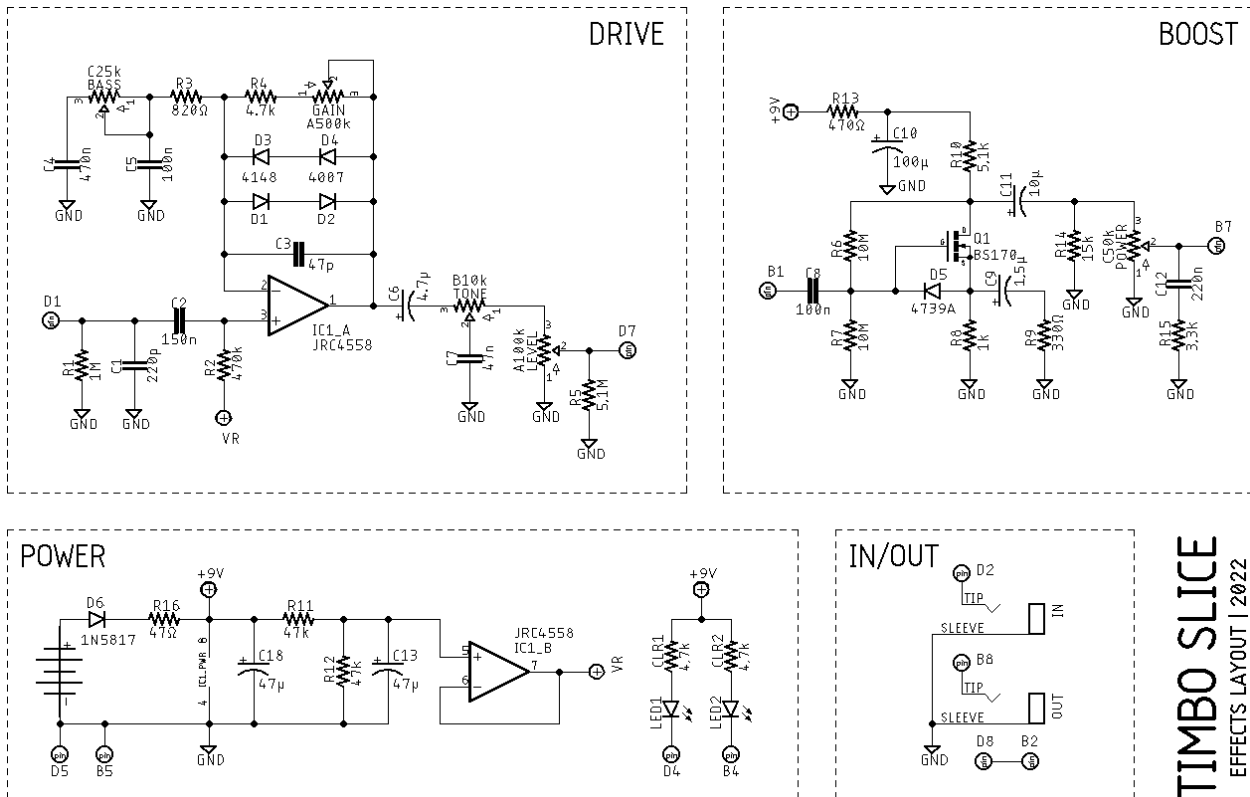


# TIMBO SLICE

## DESCRIPTION

The TIMBO SLICE is simple 2-in-1, one half being a simple TS-style drive and the other being a MOSFET boost. It's based on the J. Rockett Tim Pierce Signature Overdrive & Poweramp, which was designed to emulate a Naylor SD60 amp. Both sides can be used independently or stacked and it's designed to fit in a 125B.

## SCHEMATIC



**TIMBO SLICE**  
EFFECTS LAYOUT | 2022

## BOM

### Resistors

R1	1M
R2	470k
R3	820Ω
R4	4.7k
R5	5.1M
R6	10M
R7	10M
R8	1k
R9	330Ω
R10	5.1k
R11	47k
R12	47k
R13	470Ω
R14	15k
R15	3.3k
R16	47Ω
CLR1	4.7k
CLR2	4.7k

### Capacitors

C1	220p
C2	150n
C3	47p
C4	470n
C5	100n
C6	4.7μ

C7	47n
C8	100n
C9	1.5μ
C10	100μ
C11	10μ
C12	220n
C13	47μ
C18	47μ

### Semiconductors

D1	1N4148
D2	1N4007
D3	1N4148
D4	1N4007
D5	1N4739A
D6	1N5817
IC1	4558
LED1	3 or 5mm
LED2	3 or 5mm
Q1	BS170

### Electromechanical

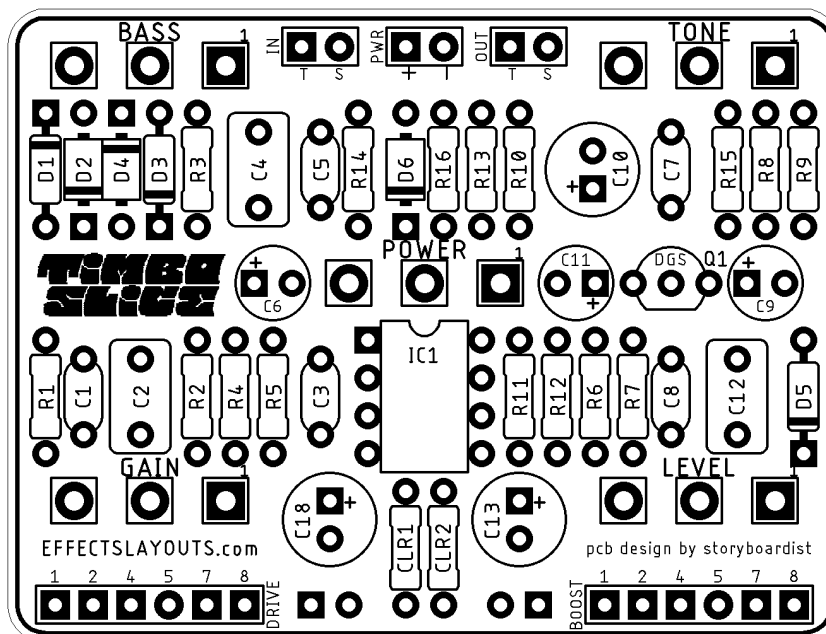
BASS	C25k
GAIN	A500k
LEVEL	A100k
POWER	C50k
TONE	B10k

## SHOPPING LIST

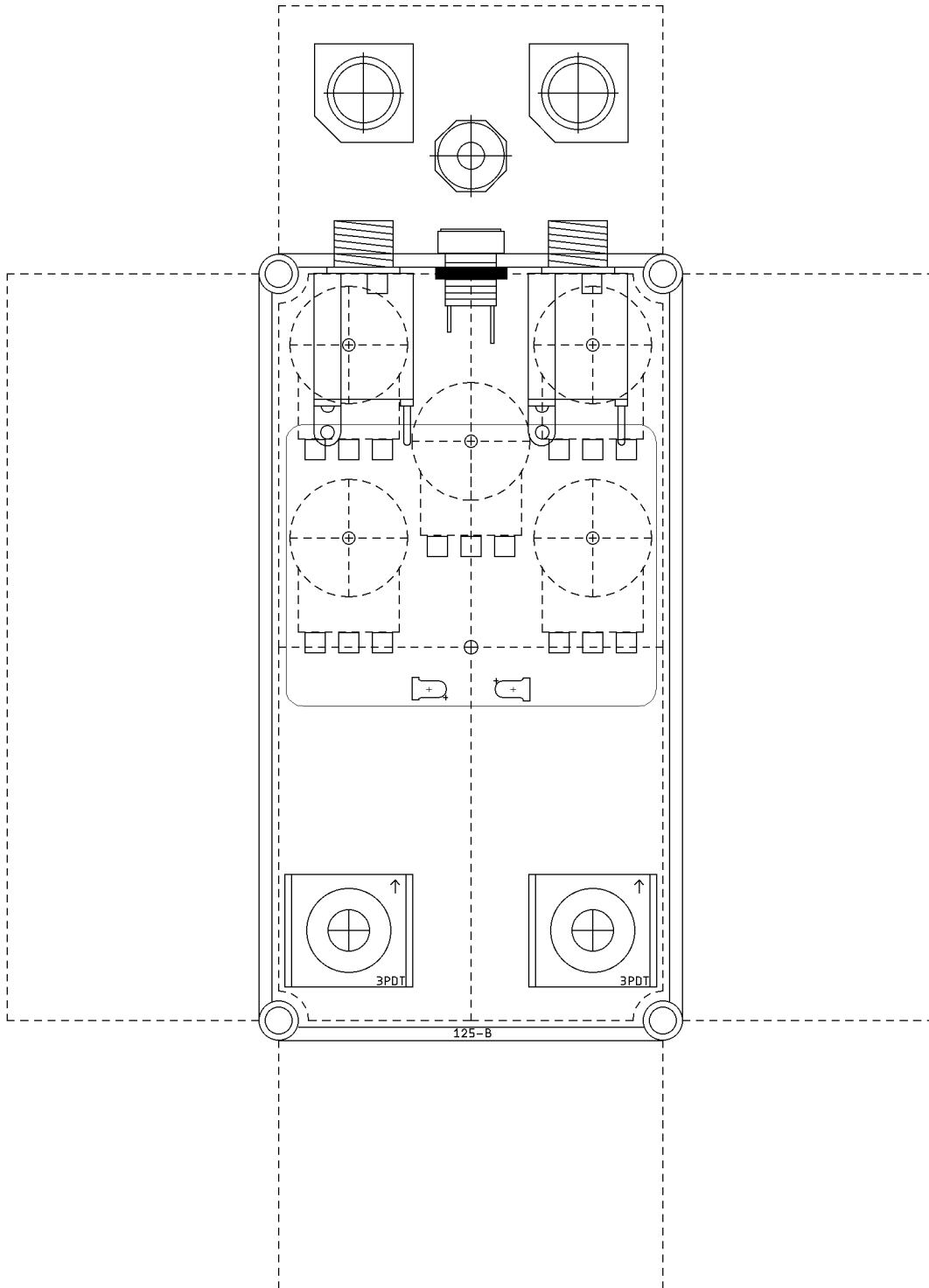
Value	Type (suggested)	Quantity
47Ω	¼ watt metal or carbon film	1
330Ω	¼ watt metal or carbon film	1
470Ω	¼ watt metal or carbon film	1
820Ω	¼ watt metal or carbon film	1
1k	¼ watt metal or carbon film	1
3.3k	¼ watt metal or carbon film	1
4.7k	¼ watt metal or carbon film	3
5.1k	¼ watt metal or carbon film	1
15k	¼ watt metal or carbon film	1
47k	¼ watt metal or carbon film	2
470k	¼ watt metal or carbon film	1

1M	¼ watt metal or carbon film	1
5.1M	¼ watt metal or carbon film	1
10M	¼ watt metal or carbon film	2
47p	Ceramic	1
220p	Ceramic	1
47n	Film	1
100n	Film	2
150n	Film	1
220n	Film	1
470n	Film	1
1.5µ	Electrolytic (25v+)	1
4.7µ	Electrolytic (25v+)	1
10µ	Electrolytic (25v+)	1
47µ	Electrolytic (25v+)	2
100µ	Electrolytic (25v+)	1
1N4007	Silicon rectifier diode	2
1N4148	Silicon switching diode	2
1N4739A	9.1v Zener diode	1
1N5817	Schottky rectifier diode	1
4558	Dual op amp	1
LED	3 or 5mm	2
BS170	MOSFET	1
A100k	16mm right angle PC mount	1
A500k	16mm right angle PC mount	1
B10k	16mm right angle PC mount	1
C25k	16mm right angle PC mount	1
C50k	16mm right angle PC mount	1

## LAYOUT



**DRILL TEMPLATE (125B)**



EFFECTS LAYOUTS © 2022  
For DIY and small commercial applications.  
Not for non-peer to peer resale.