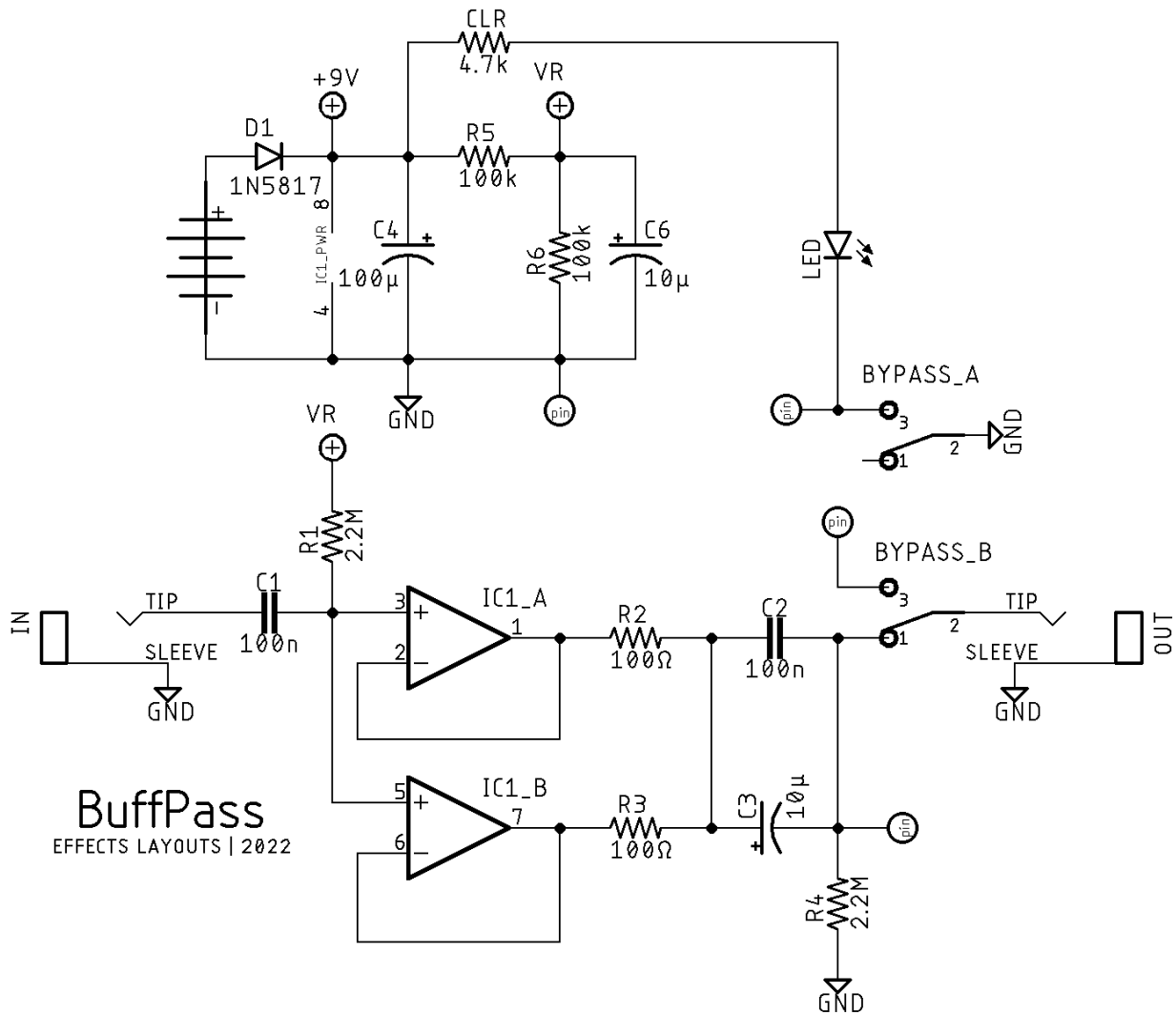


BuffPass

DESCRIPTION

Every once in a while, things work better with a buffer. The BuffPass gives you a quality buffer in a small footprint, mounting straight to a low profile DPDT footswitch. The buffer is based on the [AMZ Super Buffer](#), giving you an always on buffer with high impedance and low output impedance.

SCHEMATIC



BOM

Resistors

R1	2.2M
R2	100Ω
R3	100Ω
R4	2.2M

R5	100k
R6	100k
CLR	4.7k

Capacitors

C1	100n
C2	100n
C3	10μ
C4	100μ
C6	10μ

Semiconductors

D1	1N5817
IC1	TL072 or similar
LED	3 or 5mm

Electromechanical

BYPASS	DPDT footswitch
--------	-----------------

SHOPPING LIST

Value	Type (suggested)	Quantity
100Ω	¼ watt metal or carbon film	2
4.7k	¼ watt metal or carbon film	1
100k	¼ watt metal or carbon file	2
2.2M	¼ watt metal or carbon film	2
100n	Film	2
10μ	Electrolytic (25v+)	2
100μ	Electrolytic (25v+)	1
1N5817	Schottky rectifier diode	1
LED	3 or 5mm	1
TL072	Dual op amp	1
DPDT footswitch	Low profile latching PC mount DPDT*	1

* [Alpha \(Taiwan\) SF12011F-0202-20R-L-011](#)/[Dunlop ECB554](#) or [clone](#). Must be PC mount

LAYOUT

