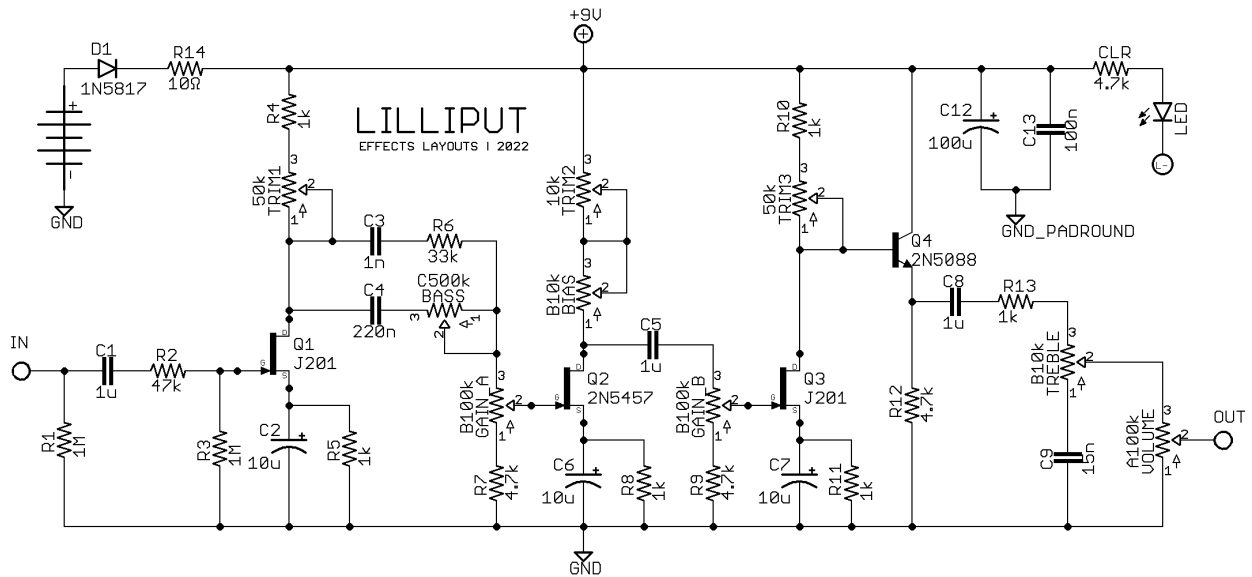


# LILLIPUT

## DESCRIPTION

The LILLIPUT is JFET based overdrive based on the Smallsound Bigsound Mini. It has a wide range of gain on tap, with very responsive tone controls and a bias control to skuzz things up a bit. It can go from transparent overdrive to saturated, near-fuzz distortion. If you're tired of building ODs with op amps, give this one a go.

## SCHEMATIC



## BOM

### Resistors

R1	1M
R2	47k
R3	1M
R4	1k
R5	1k
R6	33k
R7	4.7k
R8	1k
R9	4.7k
R10	1k
R11	1k
R12	4.7k
R13	1k
R14	10Ω
CLR	4.7k

### Capacitors

C1	1μ
C2	10μ
C3	1n
C4	220n
C5	1μ
C6	10μ

C7	10μ
C8	1μ
C9	15n
C12	100μ
C13	100n

### Semiconductors

D1	1N5817
LED	3 or 5mm
Q1	J201 or MMBFJ201
Q2	2N5457 or MMBF5457
Q3	J201 or MMBFJ201
Q4	2N5088

### Electromechanical

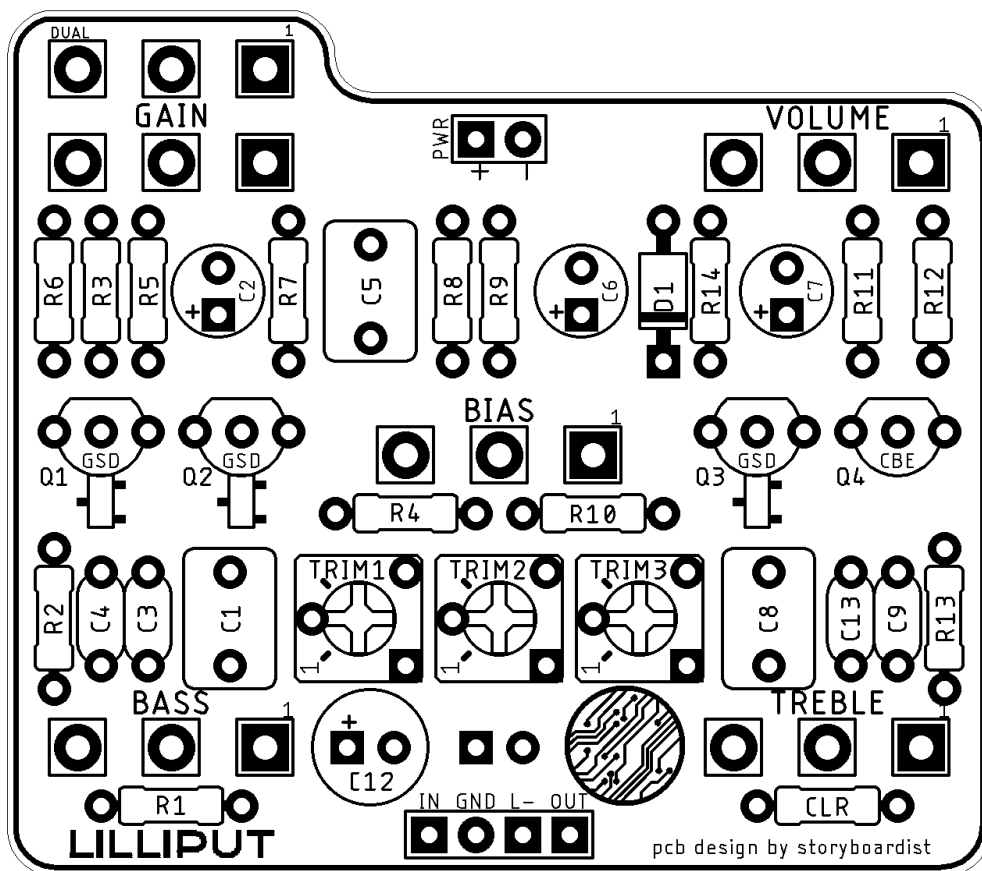
Bass	C500k
Bias	B10k
Gain	B100k dual gang
Treble	B10k
Trim 1	50k
Trim 2	10k
Trim 3	50k
Volume	A100k

## SHOPPING LIST

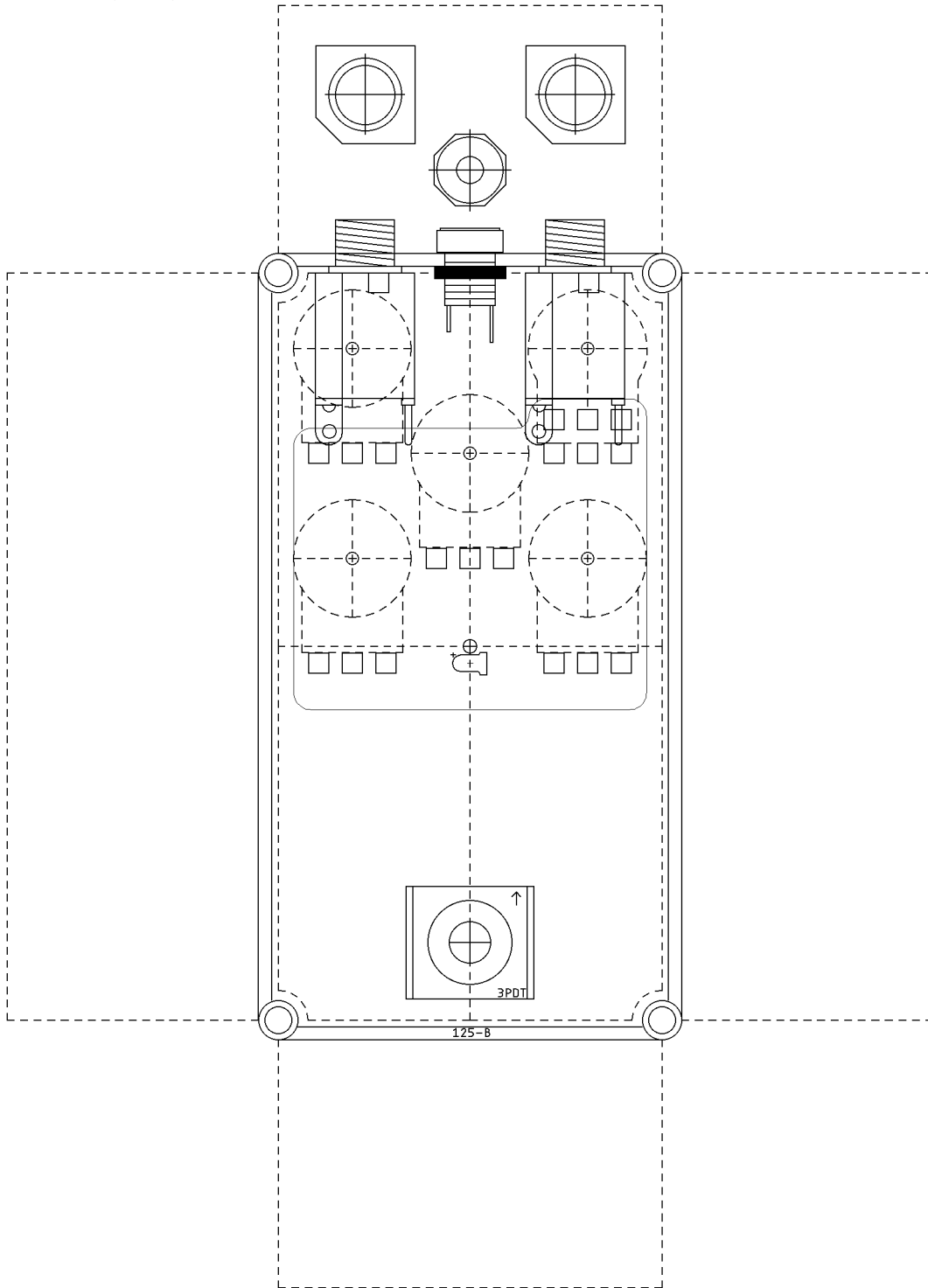
Value	Type (suggested)	Quantity
10Ω	¼ watt metal or carbon film	1
1k	¼ watt metal or carbon film	6
4.7k	¼ watt metal or carbon film	4
33k	¼ watt metal or carbon film	1
47k	¼ watt metal or carbon film	1
1M	¼ watt metal or carbon film	2
1n	Film	1
15n	Film	1
100n	Ceramic	1
220n	Film	1
1μ	Film	3
10μ	Electrolytic (25v+)	3
100μ	Electrolytic (25v+)	1
1N5817	Schottky rectifier diode	1
LED	3 or 5mm	1

J201/MMBFJ201	JFET	2
2N5457/MMBF5457	JFET	1
2N5088	BJT	1
10k Trimmer	6mm trimmer	1
50k Trimmer	6mm trimmer	2
A100k	16mm right angle PC mount	1
B10k	16mm right angle PC mount	2
B100k	Dual-gang 16mm right angle PC mount	1
C500k	16mm right angle PC mount	1

## LAYOUT



**DRILL TEMPLATE (125B)**



EFFECTS LAYOUTS © 2022  
For DIY and small commercial applications.  
Not for non-peer to peer resale.