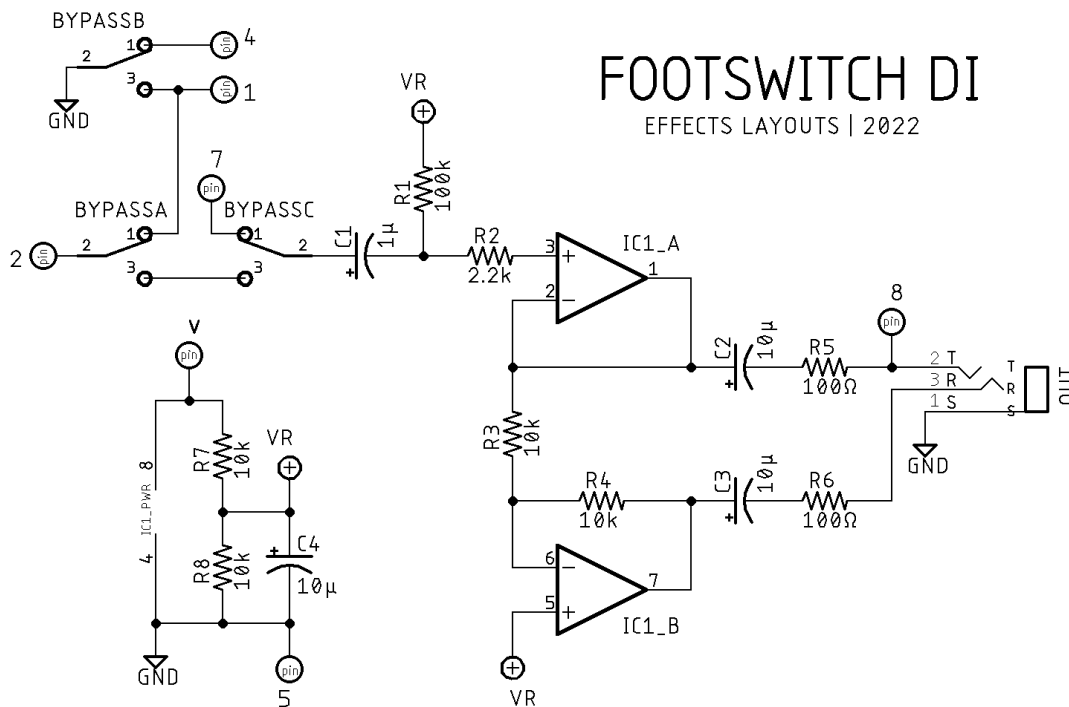


footswitch DI

DESCRIPTION

The FOOTSWITCH DI is an add on specifically designed for the SUNNBEAM v2 project. It is an active direct injection circuit for balanced output using either a TRS or XLR jack.

SCHEMATIC



BOM

Resistors

R1	100k
R2	2.2k
R3	10k
R4	10k
R5	100Ω
R6	100Ω
R7	10k
R8	10k

Capacitors

C1	1µ
C2	10µ
C3	10µ
C4	10µ

Semiconductor

IC1	TL072
-----	-------

Electromechanical

BYPASS	3PDT footswitch
OUT	TRS/XLR jack

Notes

Connect the labeled pads to the corresponding pads on the SUNNBEAM v2 board, either by header pin, ribbon cable, or hookup wire. The V pad connects +15v from the SUNNBEAM v2 board, and pads 1-8 connect to the 3PDT for bypass, with the DI circuitry between the output of the footswitch and the output jack. If you're building this in a 125B, ignore the out mono jack pads on the SUNNBEAM v2 board and use the TRS pads on the DI board, connect them to the corresponding lugs of a TRS jack. If building in something larger to have both mono and balanced out, the out mono jack pads on the SUNNBEAM v2 board will provide buffered mono output.

SHOPPING LIST

Part	Type (suggested)	Quantity
100Ω	¼ watt metal or carbon film	2
2.2k	¼ watt metal or carbon film	1
10k	¼ watt metal or carbon film	4
100k	¼ watt metal or carbon film	1
1μ	Electrolytic (25v+)	1
10μ	Electrolytic (25v+)	3
TL072	Dual opamp	1
Bypass	3PDT footswitch	1
Out	TRS/XLR jack	1

LAYOUT

