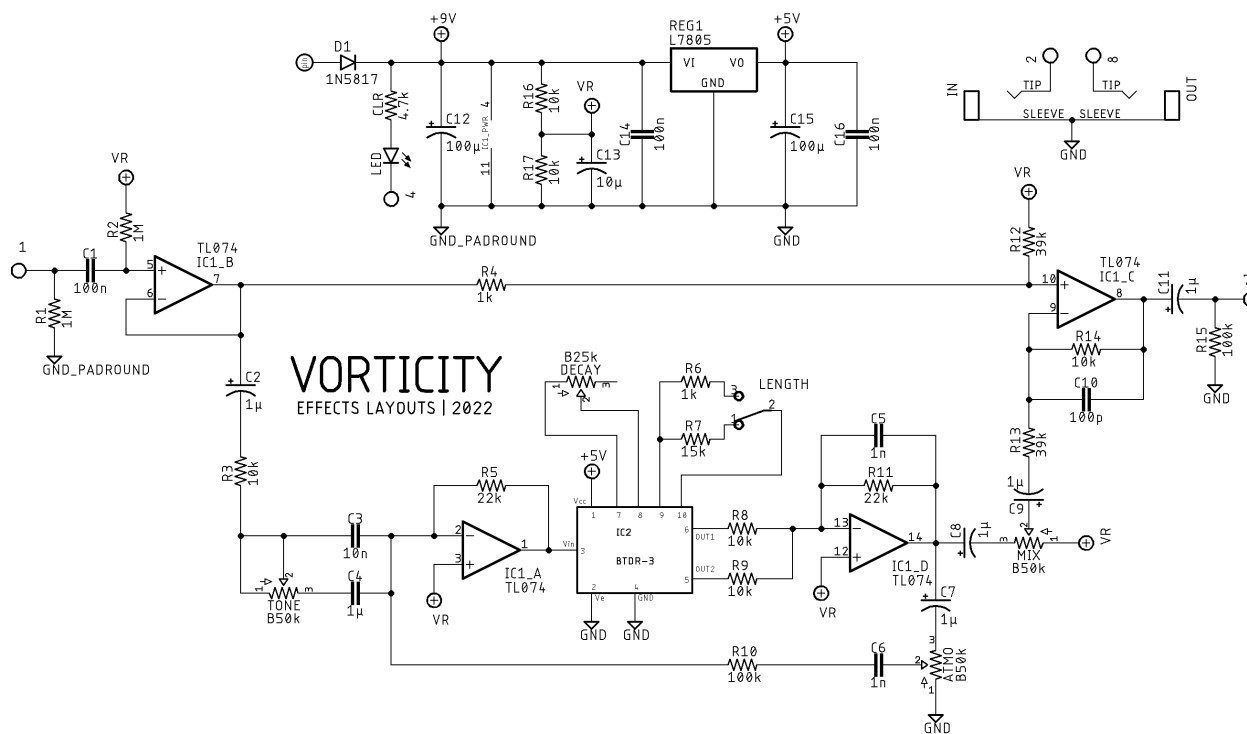


VORTICITY

DESCRIPTION

The VORTICITY is a vintage-voiced reverb based around the Belton BTDR-3 reverb brick and offers a wide range of control and a lot of versatility in tones. It's based on the now discontinued Earthquaker Devices Levitation Reverberation Machine and can churn out short, springy 'verb all the way to long, atmospheric reverb.

SCHEMATIC



BOM

Resistors

R1	1M
R2	1M
R3	10k
R4	1k
R5	22k
R6	1k
R7	15k
R8	10k
R9	10k
R10	100k
R11	22k
R12	39k
R13	39k
R14	10k
R15	100k
R16	10k
R17	10k
CLR	4.7k

Capacitors

C1	100n
C2	1μ
C3	10n
C4	1μ
C5	1n
C6	1n
C7	1μ

C8	1μ
C9	1μ
C10	100p
C11	1μ
C12	100μ
C13	10μ
C14	100n
C15	100μ
C16	100n

Semiconductors

D1	1N5817
IC1	TL074
IC2	BTDR-3
LED	3 or 5mm
REG1	L7805

Electromechanical

Atmo	B50k
Decay	B25k
Length	SPDT on/on
Mix	B50k
Tone	B50k

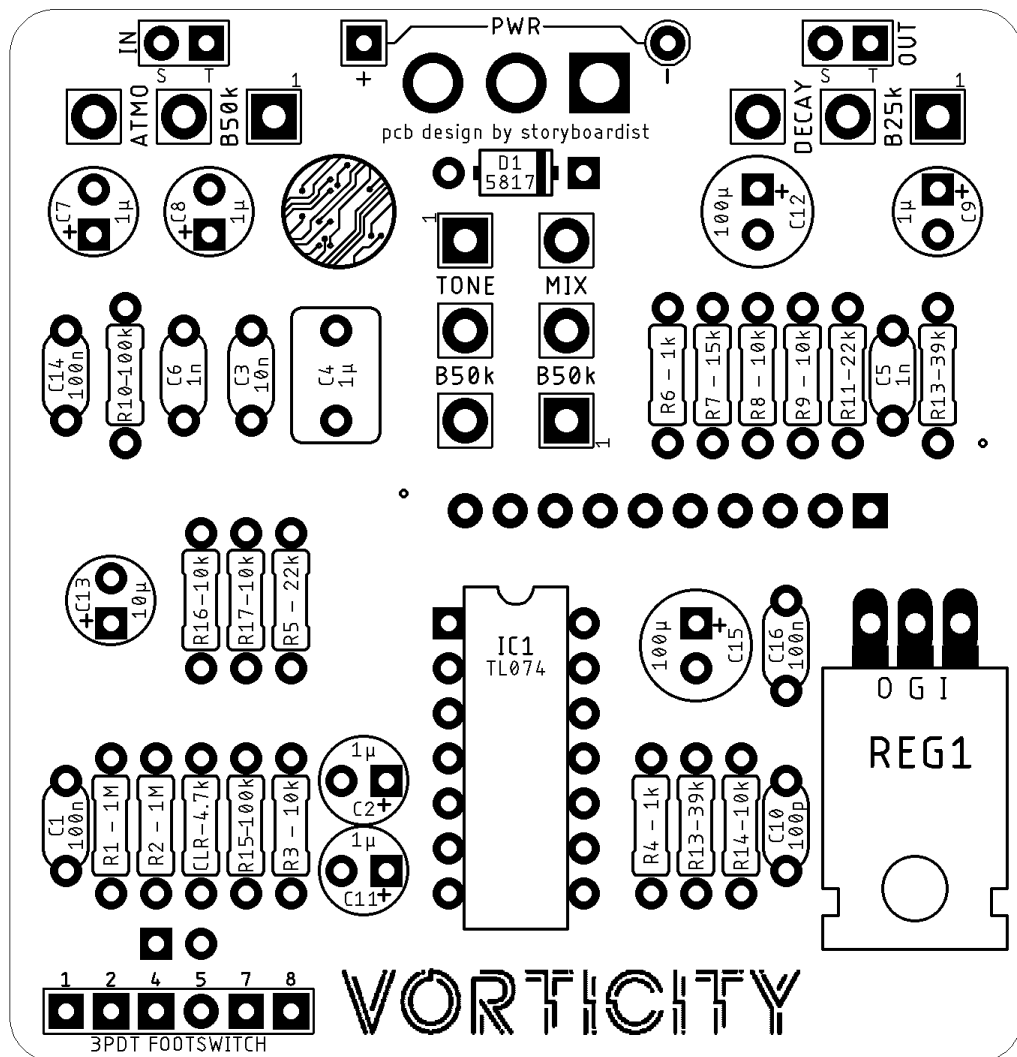
Notes: Original units come with the large L7805 5v regulator. I tested it with the smaller TO92 package 7805 regulator without issue. YMMV

SHOPPING LIST

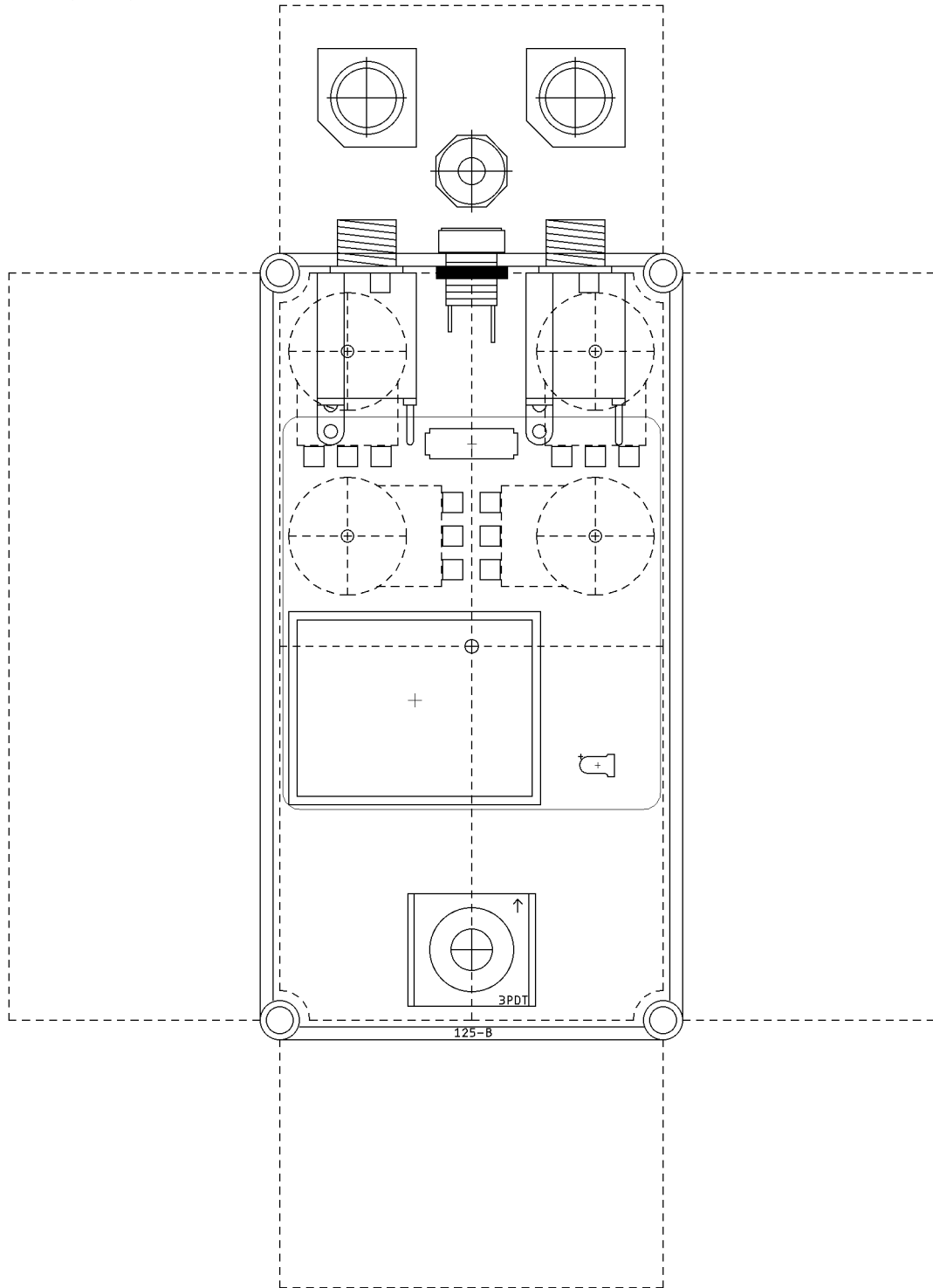
Value	Type (suggested)	Quantity
1k	¼ watt metal or carbon film	2
4.7k	¼ watt metal or carbon film	1
10k	¼ watt metal or carbon film	6
15k	¼ watt metal or carbon film	1
22k	¼ watt metal or carbon film	2
39k	¼ watt metal or carbon film	2
100k	¼ watt metal or carbon film	2
1M	¼ watt metal or carbon film	2
100p	Ceramic	1
1n	Film	2
10n	Film	1

100n	Film	3
1μ	Film	1
1μ	Electrolytic (25v+)	5
10μ	Electrolytic (25v+)	1
100μ	Electrolytic (25v+)	2
1N5817	Schottky rectifier diode	1
BTDR-3	Belton reverb module	1
L7805	5v regulator	1
LED	3 or 5mm	1
TL074	Quad opamp	1
B25k	16mm board mounted potentiometer	1
B50k	16mm board mounted potentiometer	3
SPDT	On/on toggle switch	1

LAYOUT



DRILL TEMPLATE (125B)



EFFECTS LAYOUTS © 2022
For DIY and small commercial applications.
Not for non-peer to peer resale.