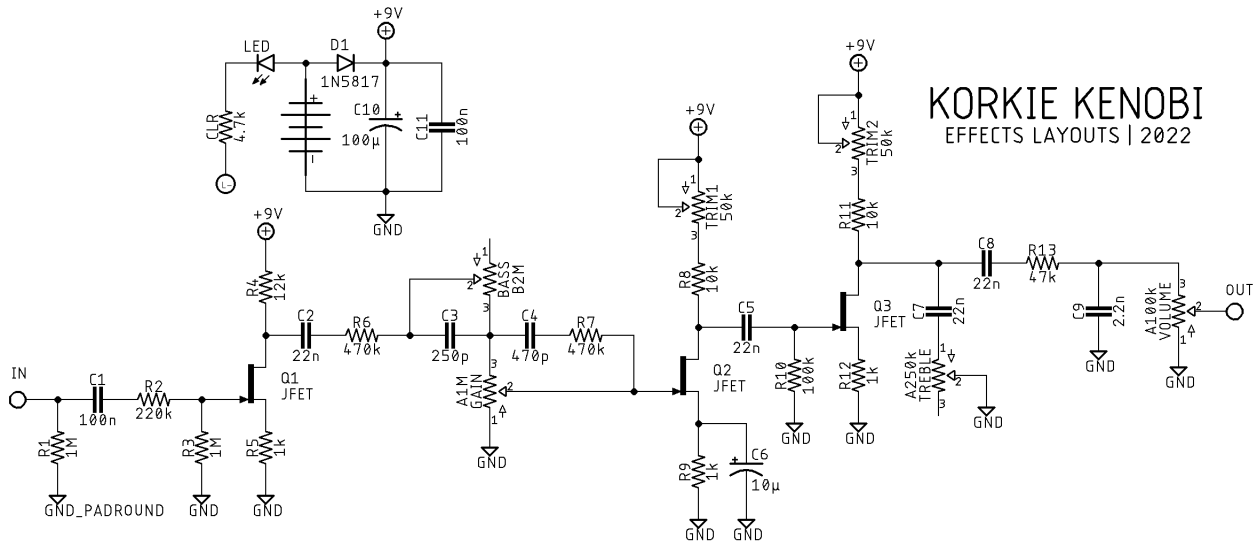


KORKIE KENOBI

DESCRIPTION

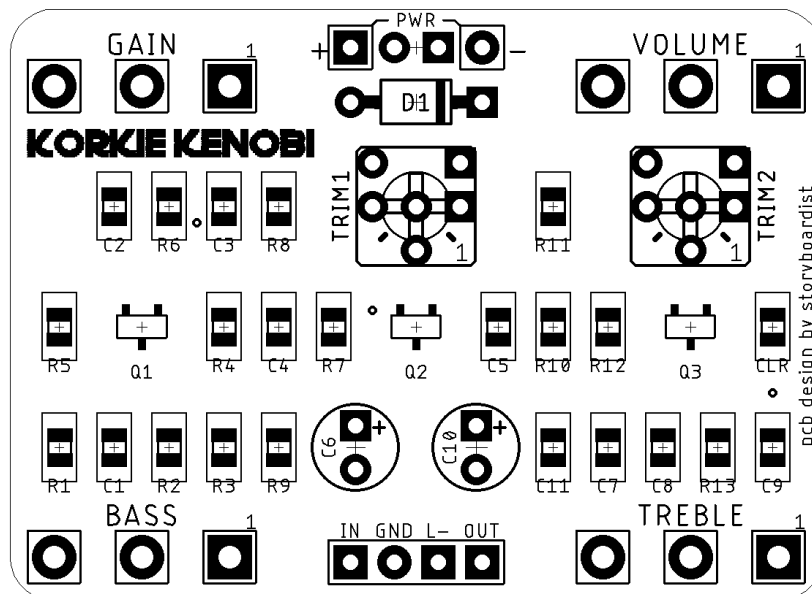
The KORKIE KENOBI is a JFET-based preamp/overdrive with 2-band EQ and a wide range of gain on tap, ranging from clean boost, overdrive, even some fuzz tones. It's based on the Benson Preamp and like the original features all (mostly) SMD components. It's easily done with a pencil soldering iron or a hot air station.

SCHEMATIC



KORKIE KENOBI
EFFECTS LAYOUTS | 2022

LAYOUT



BOM

Resistors

R1	1M
R2	220k
R3	1M
R4	12k
R5	1k
R6	470k
R7	470k
R8	10k
R9	1k
R10	100k
R11	10k
R12	1k
R13	47k
CLR	4.7k

Capacitors

C1	100n
C2	22n
C3	250p
C4	470p
C5	22n
C6	10 μ
C7	22n
C8	22n

C9	2.2n
C10	100 μ
C11	100n

Semiconductors

D1	1N5817
LED	3 or 5mm LED
Q1	MMBFJ201
Q2	MMBFJ201
Q3	MMBFJ201

Electromechanical

Bass	B2M
Gain	A1M
Treble	A250k
Trim1	50k
Trim2	50k
Volume	A100k

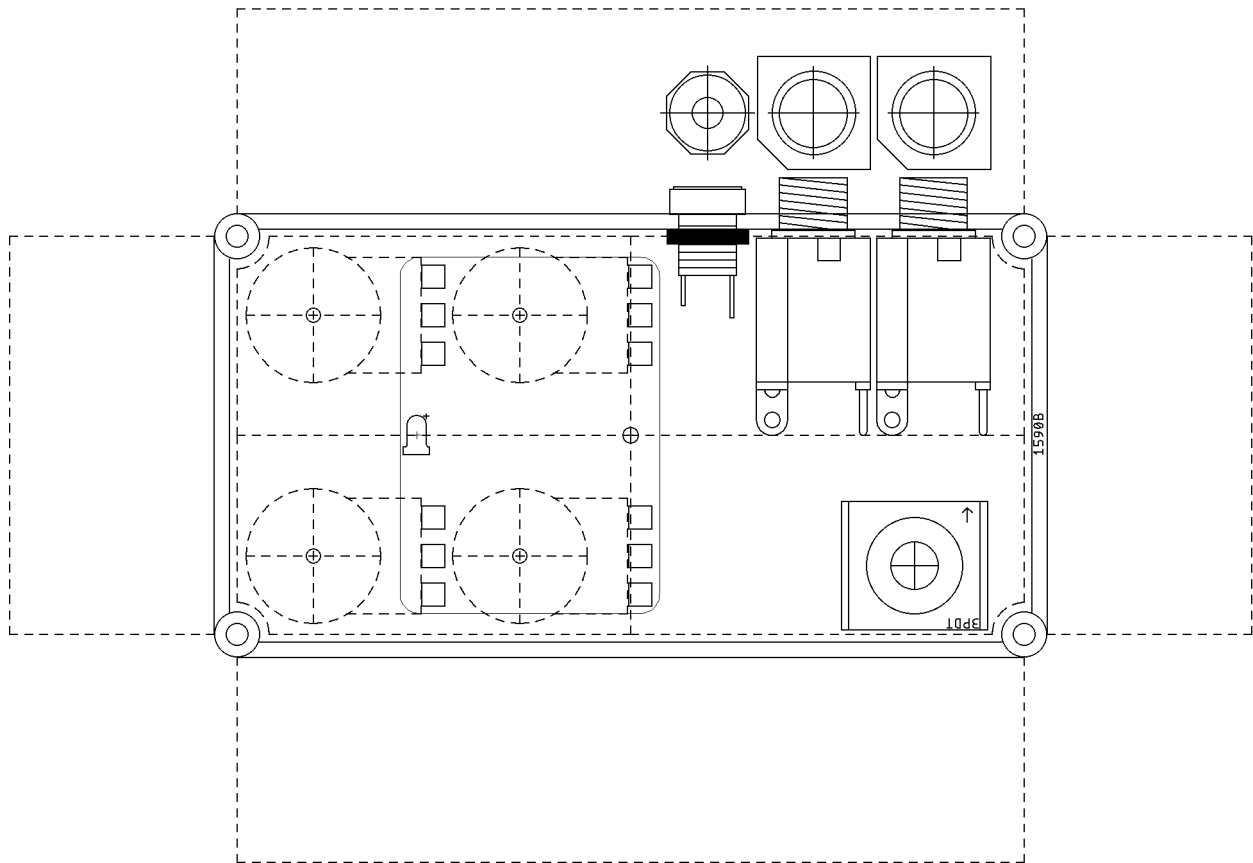
Note: D1 remains a through-hole diode as they are easier to replace if the wrong polarity power supply is plugged in and the diode fails. The trimmers and C6 and C10 are through-hole as the SMD variants can be difficult to solder without a hot air station.

SHOPPING LIST

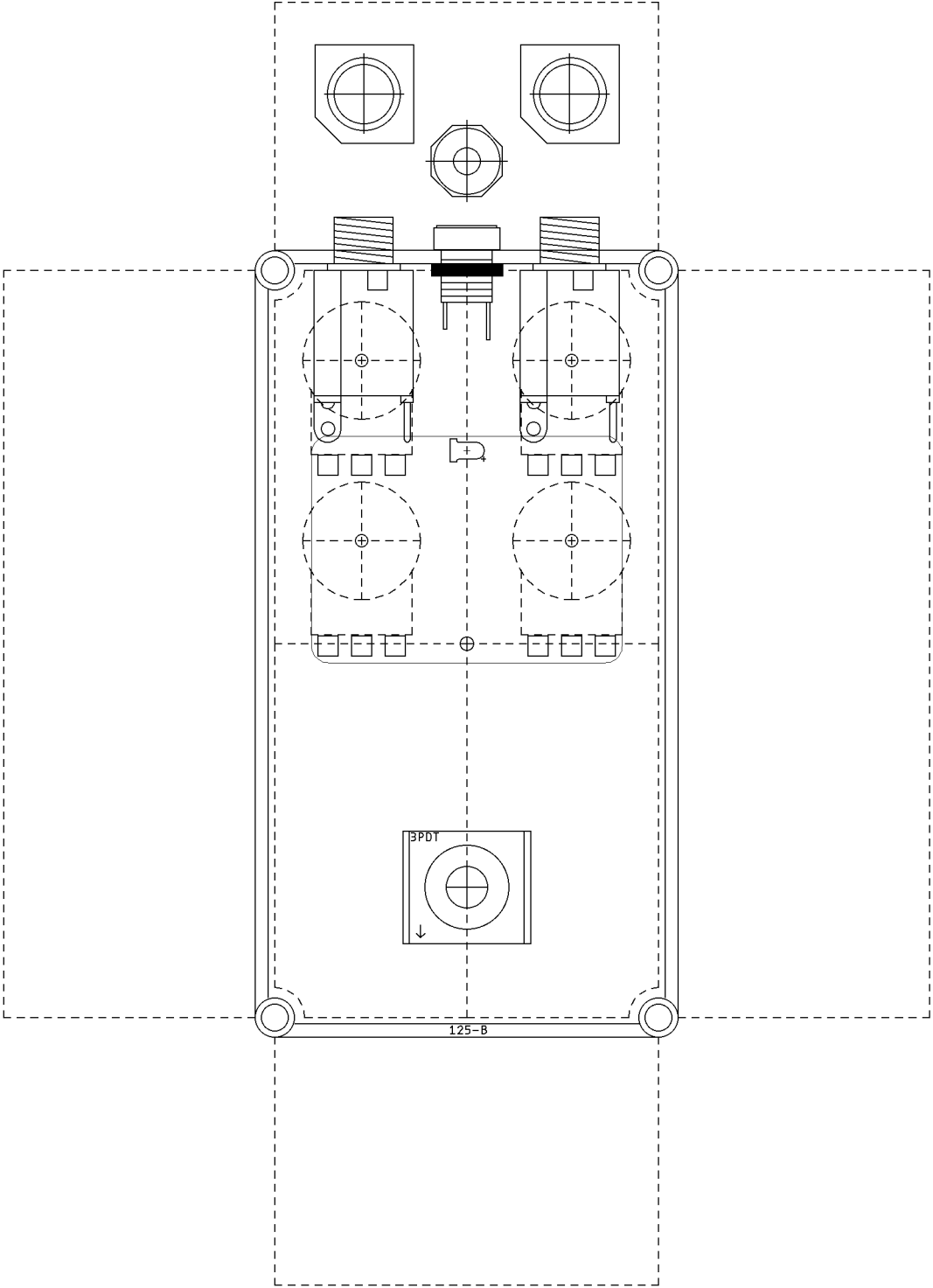
Value	Type (recommended)	Quantity
1k	0805 resistor	3
4.7k	0805 resistor	1
10k	0805 resistor	2
12k	0805 resistor	1
47k	0805 resistor	1
100k	0805 resistor	1
220k	0805 resistor	1
470k	0805 resistor	2
1M	0805 resistor	2
250p	0805 capacitor	1
470p	0805 capacitor	1
2.2n	0805 capacitor	1
22n	0805 capacitor	4

100n	0805 capacitor	2
10μ	25v+ electrolytic	1
100μ	25v+ electrolytic	1
1N5817	Schottky rectifier diode	1
LED	3 or 5mm	1
MMBFJ201	SOT23 JFET	3
50k	Trim pot	2
A100k	16mm right angle PC mount	1
A250k	16mm right angle PC mount	1
A1M	16mm right angle PC mount	1
B2M	16mm right angle PC mount	1

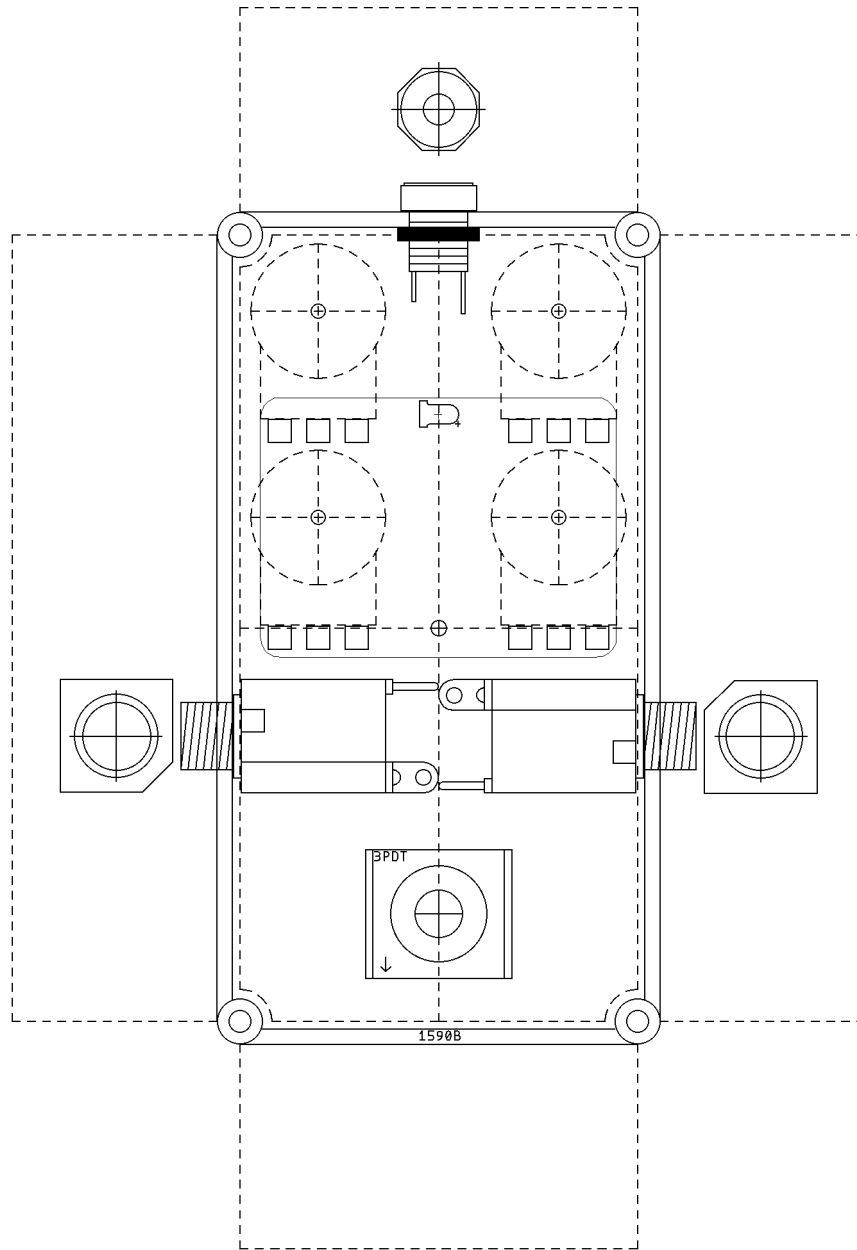
DRILL TEMPLATE (1590B)



DRILL TEMPLATE (125B)



DRILL TEMPLATE (1590B)



EFFECTS LAYOUTS © 2022
For DIY and small commercial applications.
Not for non-peer to peer resale.