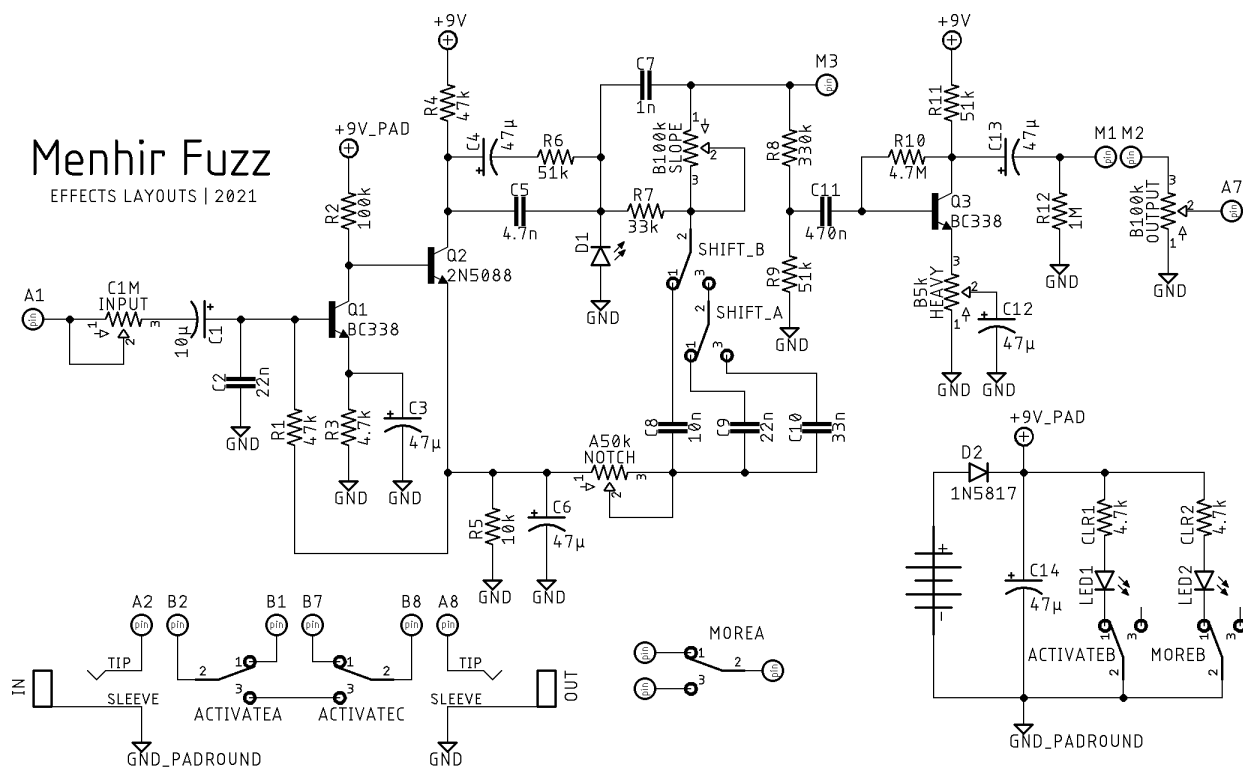


MENHIR

DESCRIPTION

The MENHIR is a versatile dooming fuzz machine based on the Mountanking Electronics Megalith. It offers an extremely flexible filter section allowing you to create a wide array of fuzz textures and tones. It comes with a breakaway daughter board for the dual footswitches to minimize offboard wiring as well for an easy fit in a 125B enclosure.

SCHEMATIC



BOM

Resistors

R1	47k
R2	100k
R3	4.7k
R4	47k
R5	10k
R6	51k
R7	33k
R8	330k
R9	51k
R10	4.7M
R11	51k
R12	1M
CLR1	4.7k
CLR2	4.7k

Capacitors

C1	10 μ
C2	22n
C3	47 μ
C4	47 μ
C5	4.7n
C6	47 μ
C7	1n
C8	10n
C9	22n
C10	33n

C11	470n
C12	47 μ
C13	47 μ
C14	47 μ

Semiconductors

D1	3mm orange LED
D2	1N5817
LED1	3 or 5mm LED
LED2	3 or 5mm LED
Q1	BC338
Q2	2N5088
Q3	BC338

Electromechanical

Heavy	B5k
Input	C1M
More	3PDT footswitch
Notch	A50k
Output	B100k
Shift	DPDT on/off/on
Slope	B100k

Notes

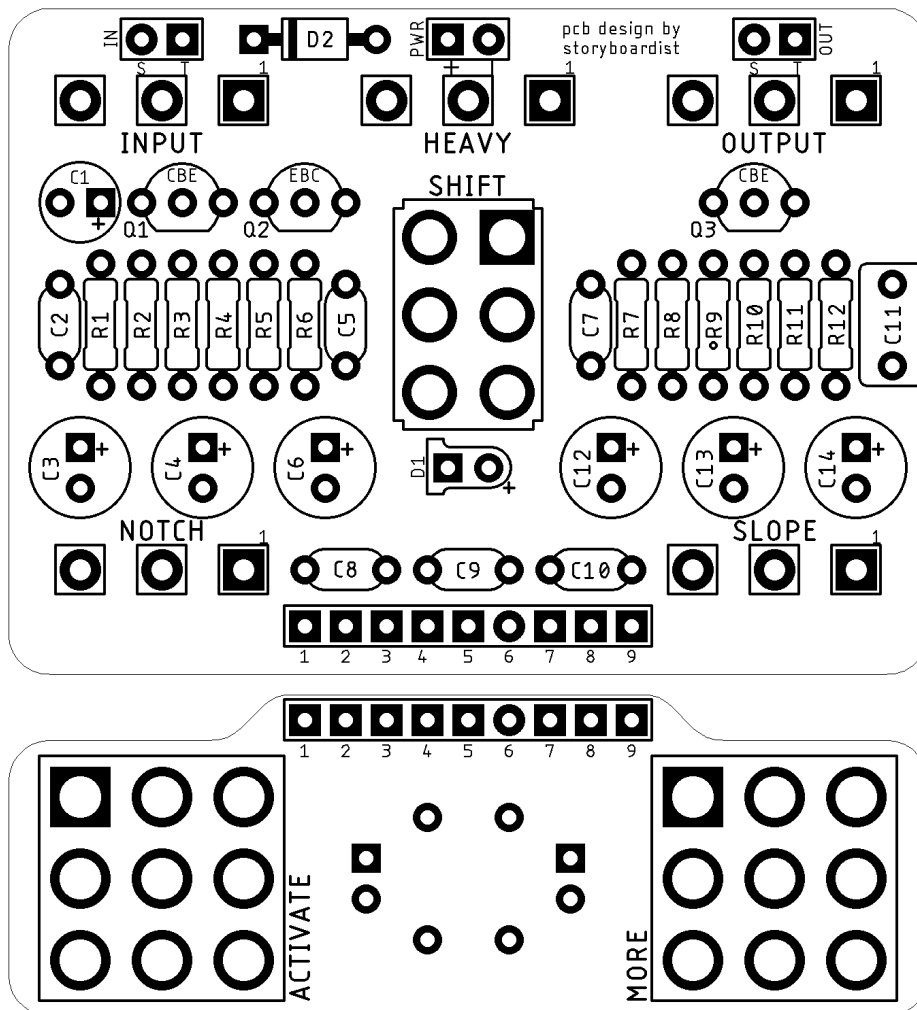
A red diffused LED works well in D1. Socket and experiment.

SHOPPING LIST

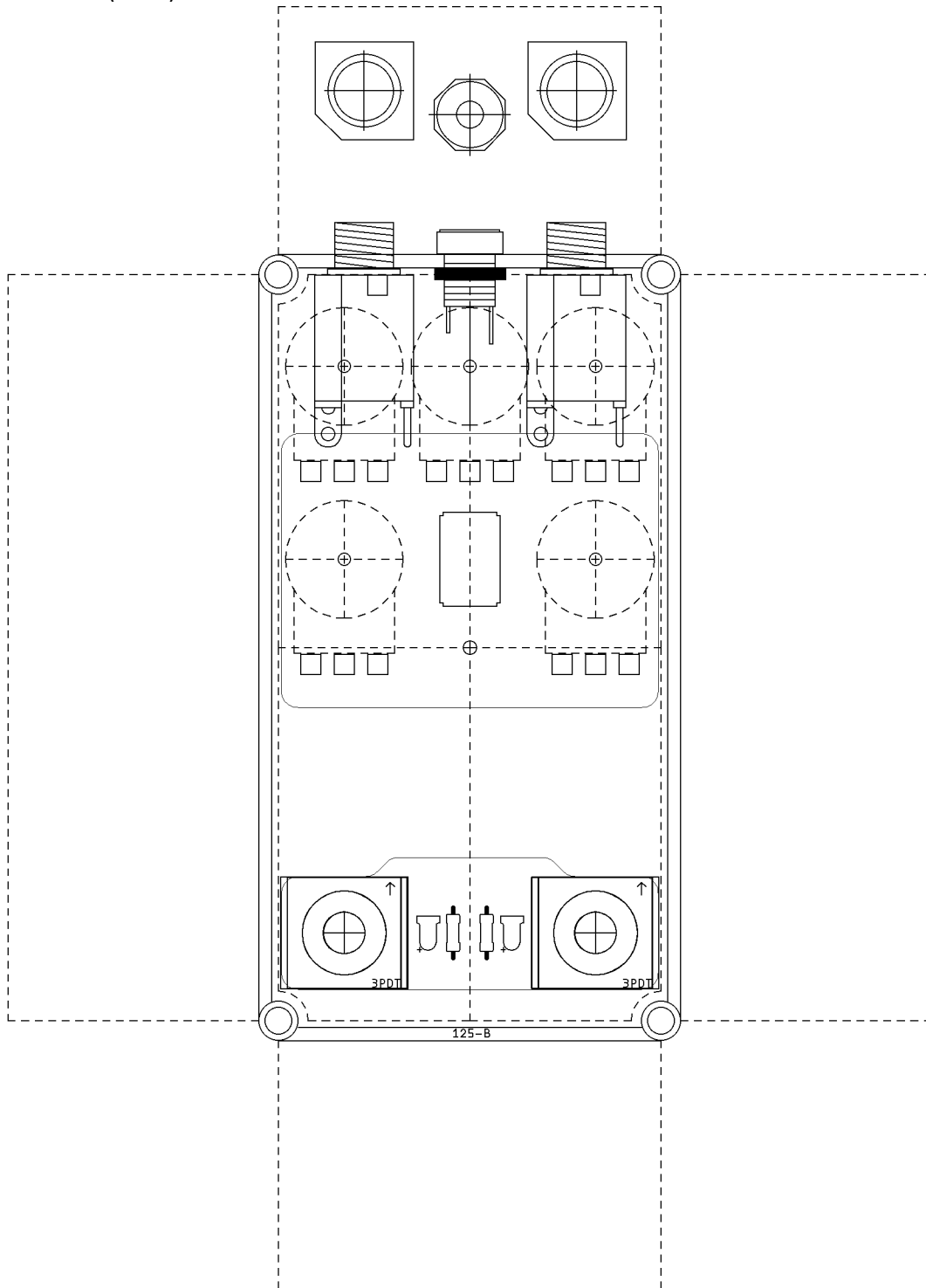
Part	Type (suggested)	Quantity
4.7k	¼ watt metal or carbon film	3
10k	¼ watt metal or carbon film	1
33k	¼ watt metal or carbon film	1
47k	¼ watt metal or carbon film	2
51k	¼ watt metal or carbon film	3
100k	¼ watt metal or carbon film	1
330k	¼ watt metal or carbon film	1
1M	¼ watt metal or carbon film	1
4.7M	¼ watt metal or carbon film	1
1n	Film	1
4.7n	Film	1
10n	Film	1
22n	Film	2

33n	Film	1
470n	Film	1
10μ	Electrolytic (25v+)	1
47μ	Electrolytic (25v+)	6
1N5817	Schottky rectifier diode	1
2N5088	BJT	1
3mm LED	Orange	1
BC338	BJT	2
LED	3 or 5mm	2
3PDT	Footswitch	2
DPDT	On/on toggle	1
A50k	16mm right angle PC mount	1
B5k	16mm right angle PC mount	1
B100k	16mm right angle PC mount	2
C1M	16mm right angle PC mount	1

LAYOUT



DRILL TEMPLATE (125B)



EFFECTS LAYOUTS © 2021
For DIY and small commercial applications.
Not for non-peer to peer resale.