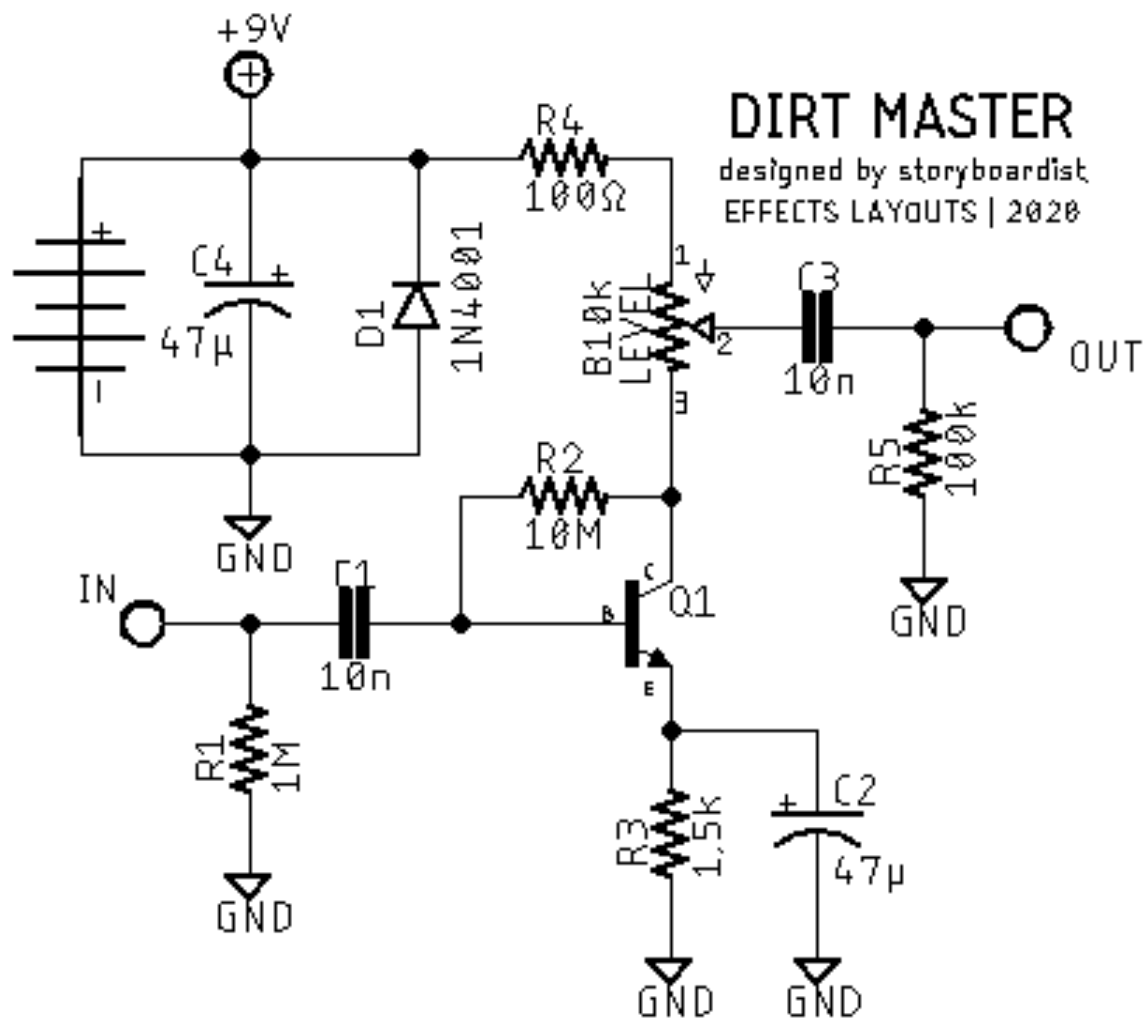


DIRT MASTER

DESCRIPTION

The DIRT MASTER is a Rangermaster based dirt pedal I came up with when I was procrastinating packing up my shop before moving house a while back. Originally I made it with axial caps for the mojo factor, but modern components will sound just as good. It works great with both germanium or silicon transistors. If using a germanium transistor, I recommend using one with around 200 hFE.

SCHEMATIC



BOM

Resistors

R1	1M
R2	10M
R3	1.5k
R4	100Ω
R5	100k
CLR	4.7k

Capacitors

C1	10n
C2	47μ
C3	10n
C4	47μ

Semiconductors

D1	1N4001
Q1	NPN Germanium or Silicon

Electromechanical

Level	B10k
-------	------

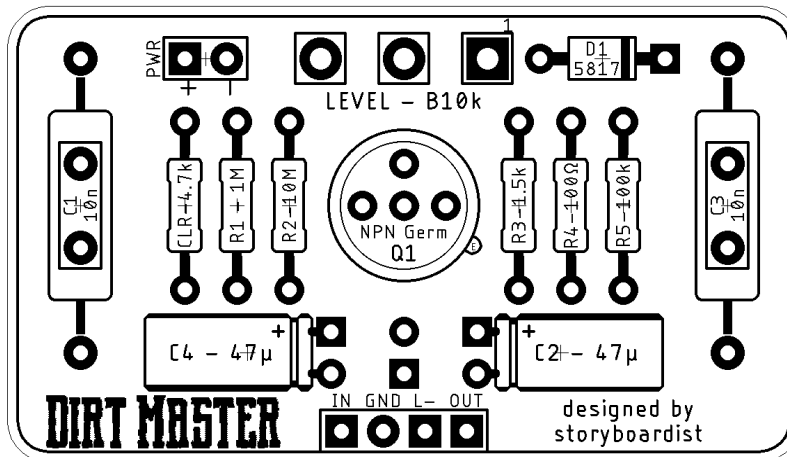
Note

You can use a PNP transistor if you like for a center positive effect, but you will need to reverse all polarized components (C2, C4, D1)

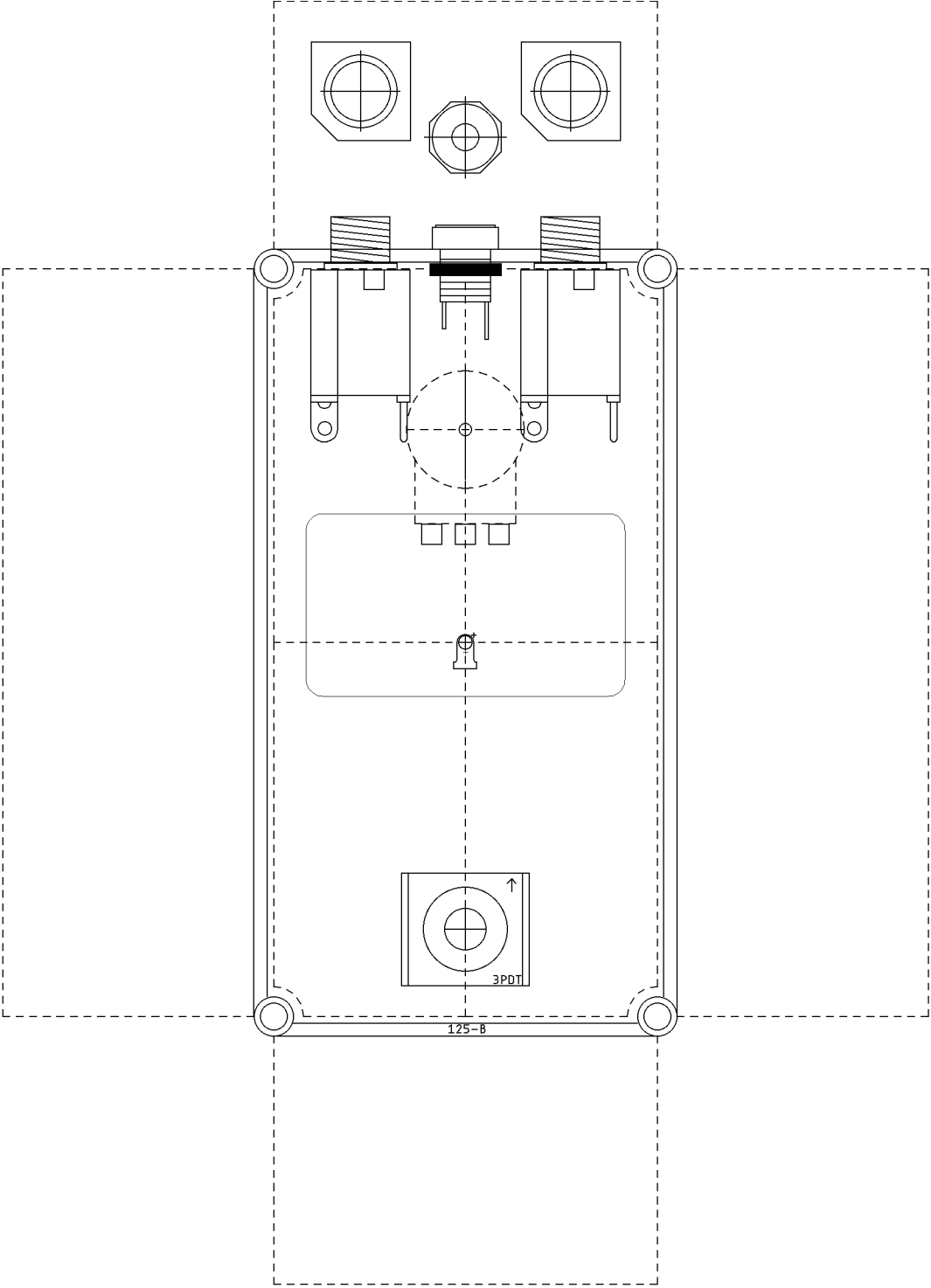
SHOPPING LIST

Value	Type (suggested)	Quantity
100Ω	¼ watt metal or carbon film	1
1.5k	¼ watt metal or carbon film	1
4.7k	¼ watt metal or carbon film	1
100k	¼ watt metal or carbon film	1
1M	¼ watt metal or carbon film	1
10M	¼ watt metal or carbon film	1
10n	Film	2
47μ	Electrolytic (25v+)	2
1N4001	Rectifier diode	1
NPN	Germanium or Silicon BJT	1
B10k	16 mm PC mount	1

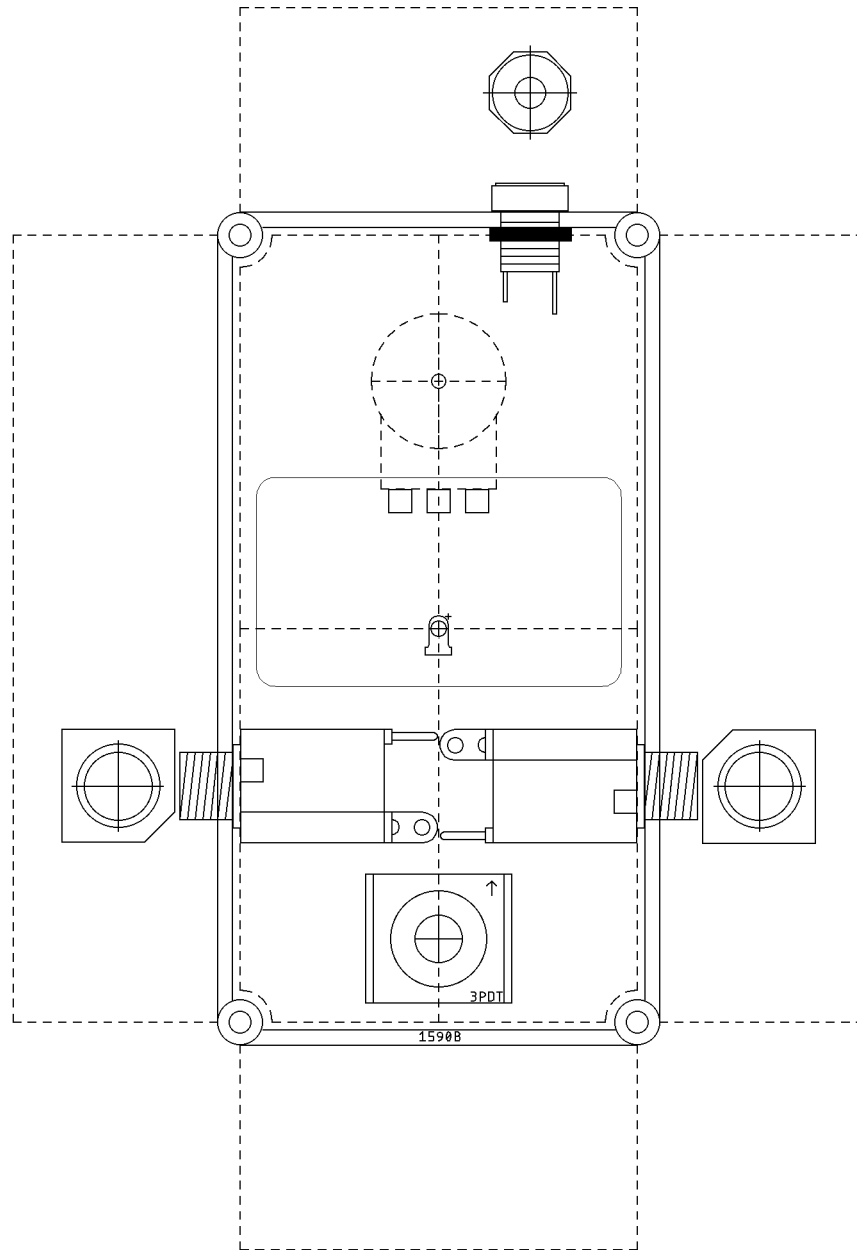
LAYOUT



DRILL TEMPLATE (125B)



DRILL TEMPLATE (1590B)



EFFECTS LAYOUTS © 2021
For DIY and small commercial applications.
Not for non-peer to peer resale.