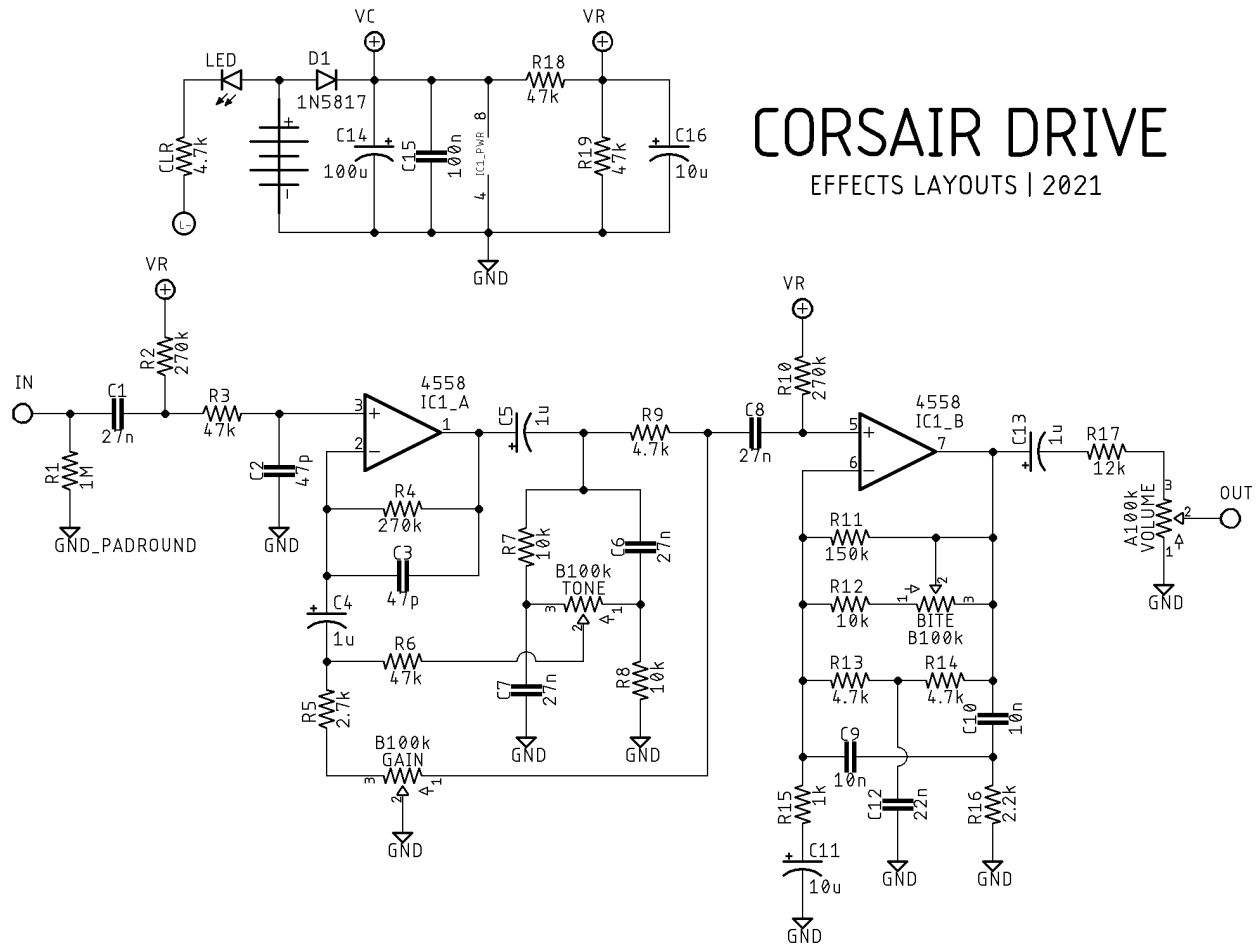


CORSAIR

DESCRIPTION

The CORSAIR is based on the preamp section of the EHX Freedom Amp, a battery powered amp Mike Matthews put out in the early 70s. I stumbled across it and figured it would make for a pretty cool sounding overdrive, and apparently Mike thought similarly with there being Freedom Preamp pedals in Big Muff enclosures, which I assume is the same circuit as the amp. The CORSAIR features an added master volume control and will fit nicely in a 1590B or 125B enclosure.

SCHEMATIC



BOM

Resistors

R1	1M
R2	270k
R3	47k
R4	270k
R5	2.7k
R6	47k
R7	10k
R8	10k
R9	4.7k
R10	270k
R11	150k
R12	10k
R13	4.7k
R14	4.7k
R15	1k
R16	2.2k
R17	12k
R18	47k
R19	47k
CLR	4.7k

Capacitors

C1	27n
C2	47p

C3	47p
C4	1μ
C5	1μ
C6	27n
C7	27n
C8	27n
C9	10n
C10	10n
C11	10μ
C12	22n
C13	1μ
C14	100μ
C15	100n
C16	10μ

Semiconductors

D1	1N5817
IC1	JRC4558
LED	3 or 5mm

Electromechanical

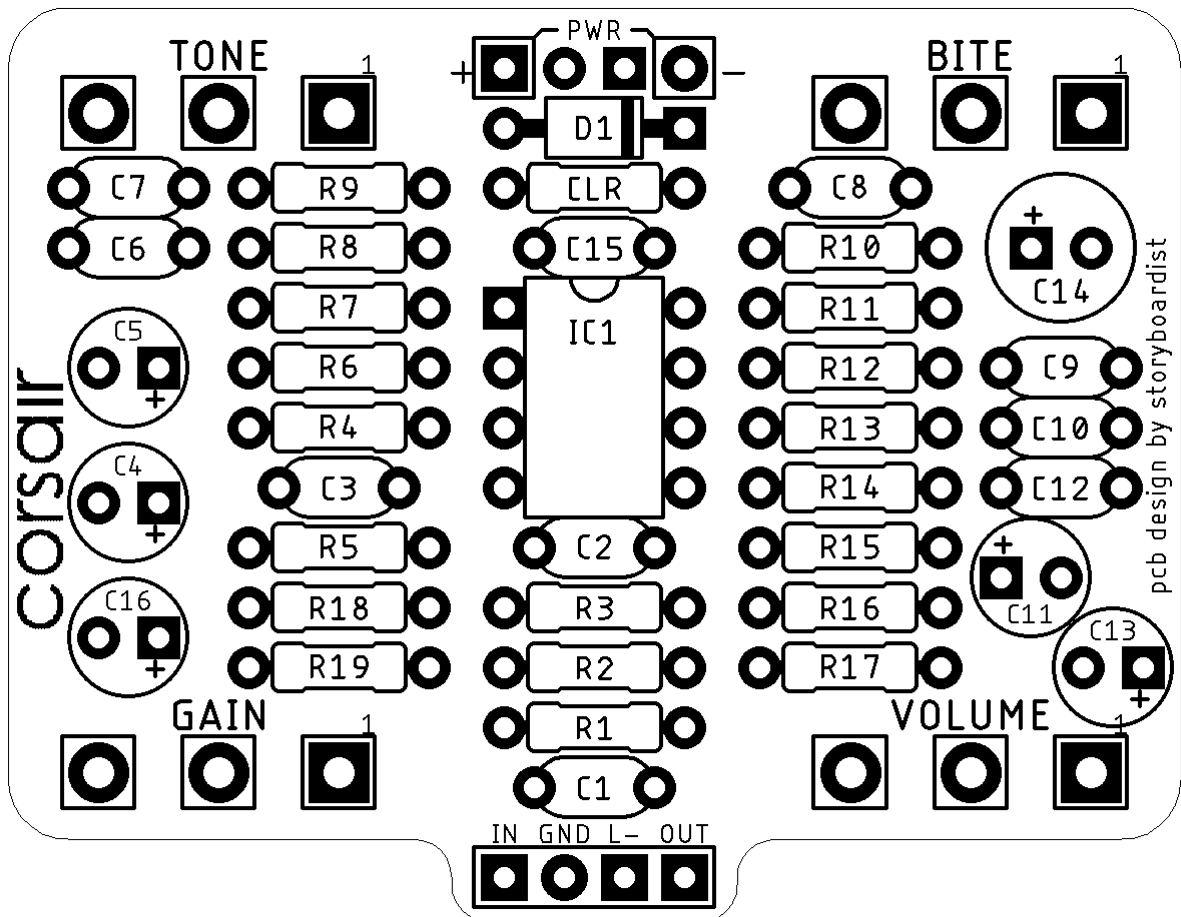
Bite	B100k
Gain	B100k
Tone	B100k
Volume	A100k

SHOPPING LIST

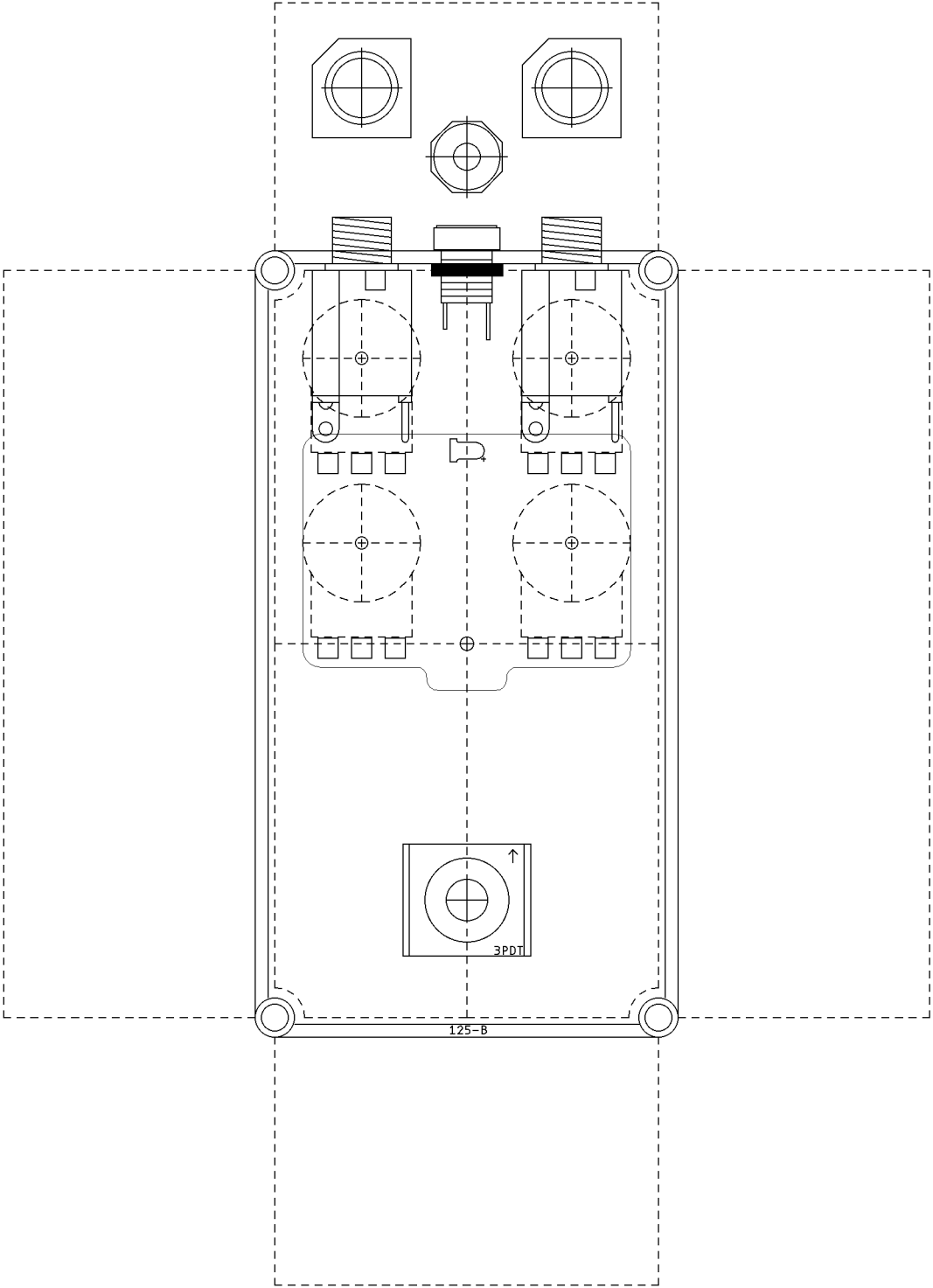
Value	Type (suggested)	Quantity
1k	¼ watt metal or carbon film	1
2.2k	¼ watt metal or carbon film	1
2.7k	¼ watt metal or carbon film	1
4.7k	¼ watt metal or carbon film	4
10k	¼ watt metal or carbon film	3
12k	¼ watt metal or carbon film	1
47k	¼ watt metal or carbon film	4
150k	¼ watt metal or carbon film	1
270k	¼ watt metal or carbon film	3
1M	¼ watt metal or carbon film	1
47p	Ceramic	2
10n	Film	2
22n	Film	1
27n	Film	4

100n	Film or ceramic	1
1 μ	Electrolytic (25v+)	3
10 μ	Electrolytic (25v+)	2
100 μ	Electrolytic (25v+)	1
1N5817	Schottky rectifier diode	1
JRC4558	Dual opamp	1
LED	3 or 5mm	1
A100k	16mm right angle PC mount	1
B100k	16mm right angle PC mount	3

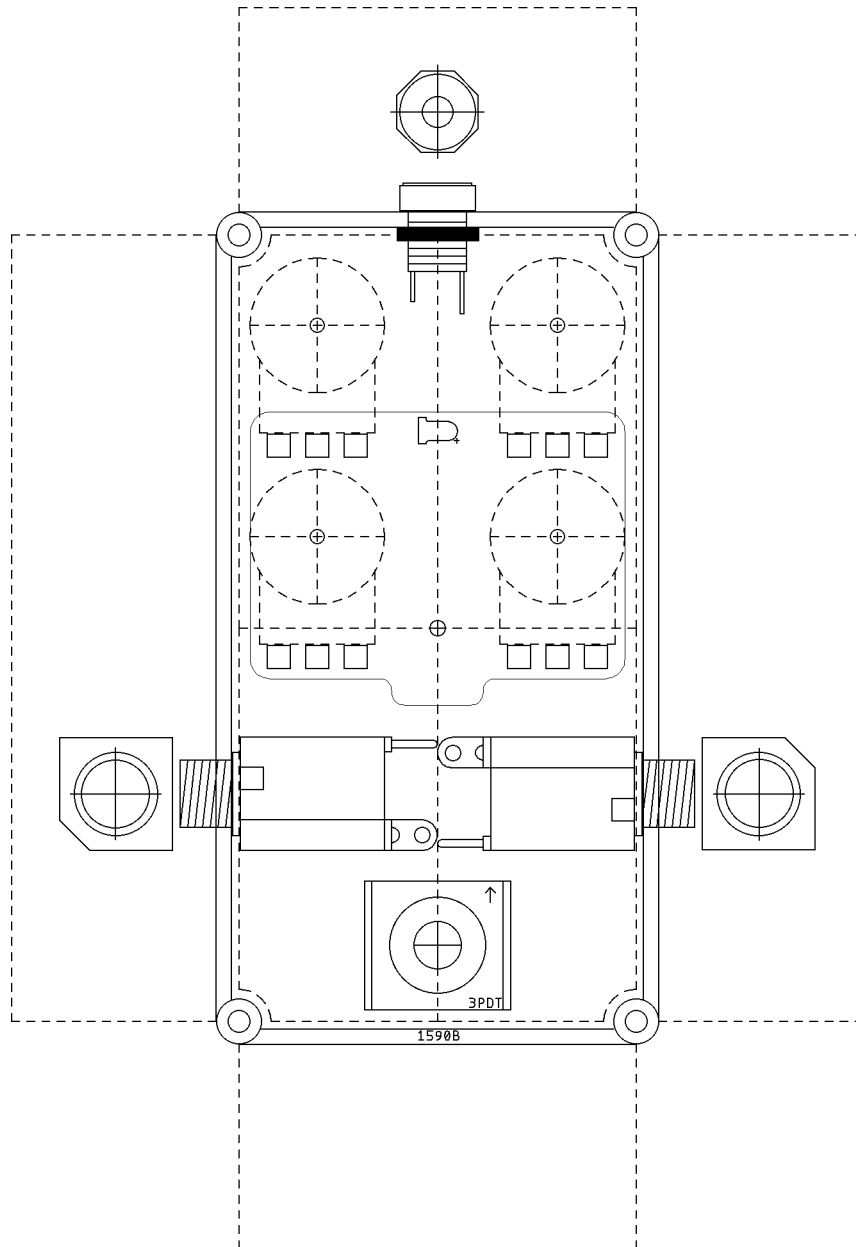
LAYOUT



DRILL TEMPLATE (125B)



DRILL TEMPLATE (1590B)



EFFECTS LAYOUTS © 2021
For DIY and small commercial applications.
Not for non-peer to peer resale.