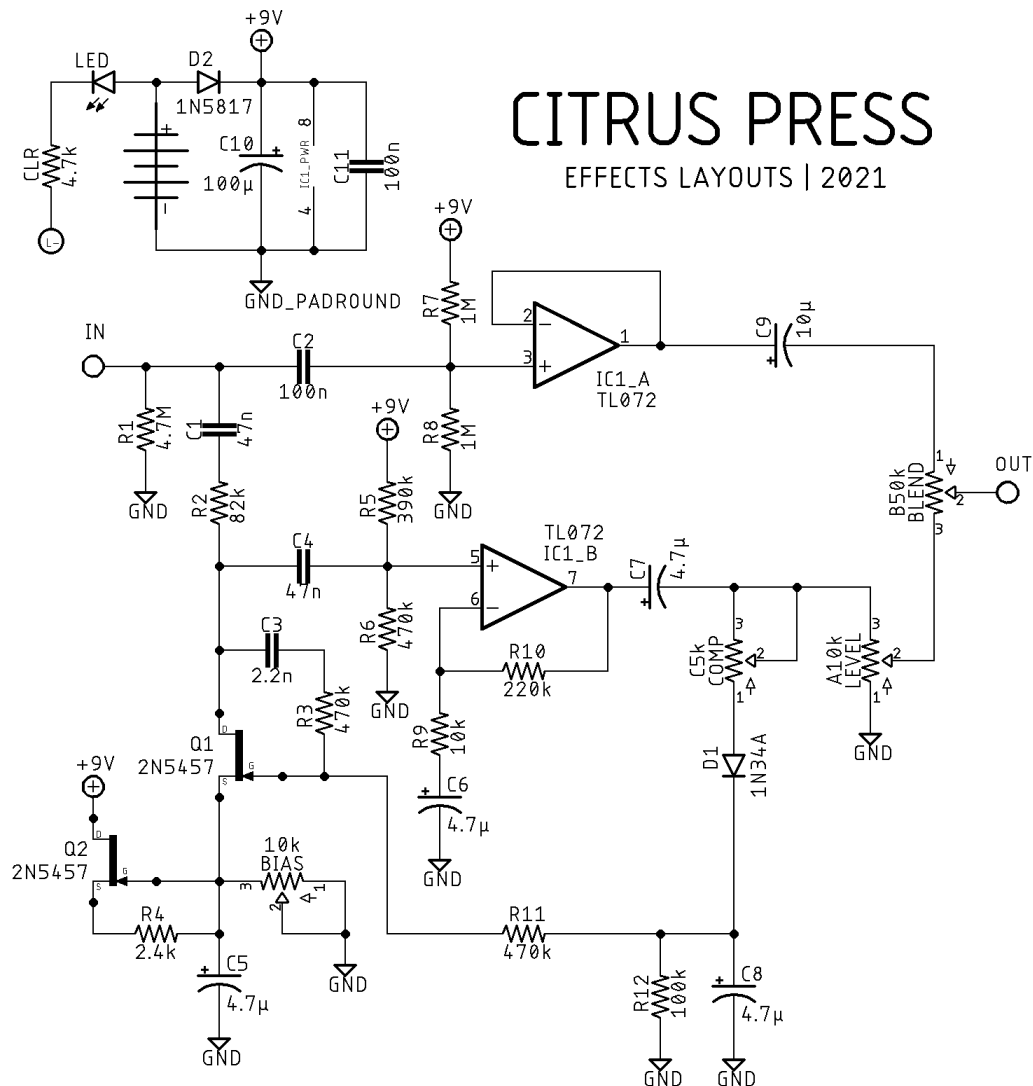


CITRUS press

DESCRIPTION

The CITRUS PRESS is a transparent compressor based on the classic Dan Armstrong Orange Squeezer with inspiration from the JHS's take on the circuit, the Pulp N Peel. It adds a compression control plus it features an opamp based clean blend to dial in your perfect compressed tone.

SCHEMATIC



CITRUS PRESS
EFFECTS LAYOUTS | 2021

BOM

Resistors

R1	4.7M
R2	82k
R3	470k
R4	2.4k
R5	390k
R6	470k
R7	1M
R8	1M
R9	10k
R10	220k
R11	470k
R12	100k
CLR	4.7k

Capacitors

C1	47n
C2	100n
C3	2.2n
C4	47n
C5	4.7μ
C6	4.7μ
C7	4.7μ

C8	4.7μ
C9	10μ
C10	100μ
C11	100n

Semiconductors

D1	1N34A
D2	1N5817
IC1	TL072
LED	3 or 5mm
Q1	2N5457
Q2	2N5457

Electrotechnical

Blend	B50k
Bias	10k trimmer
Comp	C5k
Level	A10k

Note

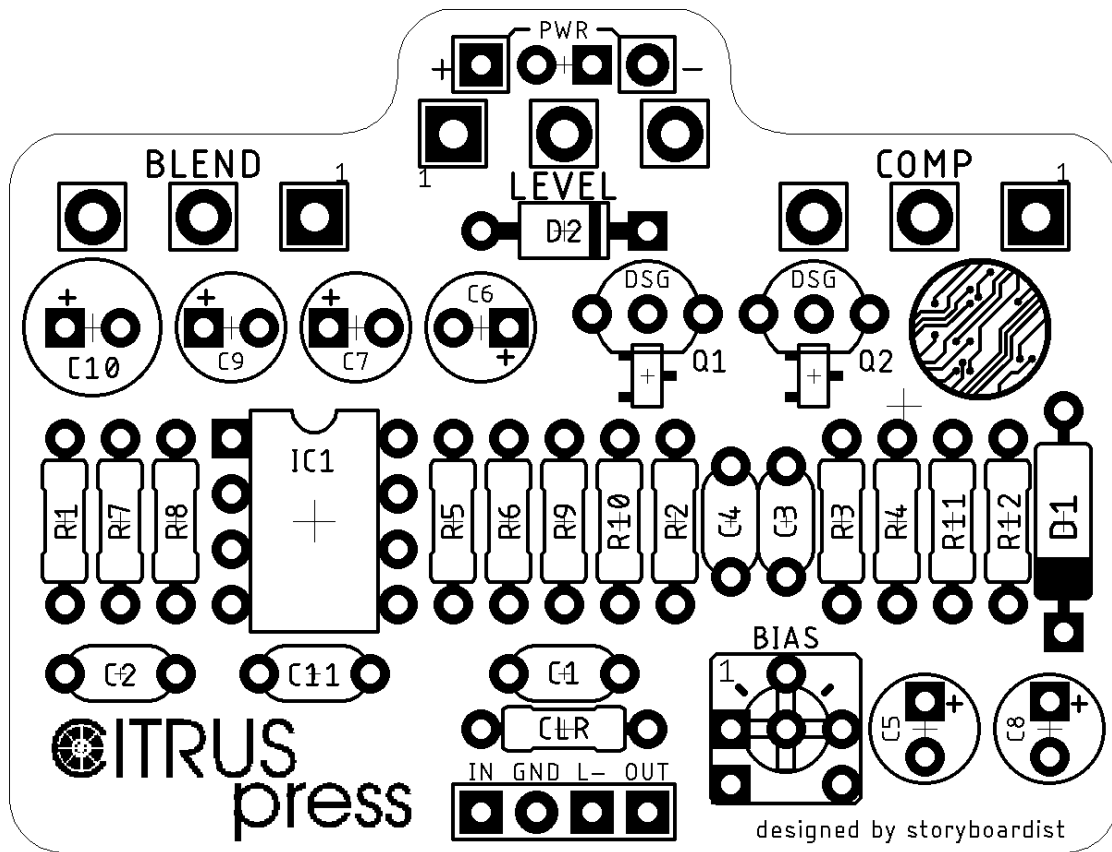
Pads are provided for SMD equivalents (MMBF5457)

SHOPPING LIST

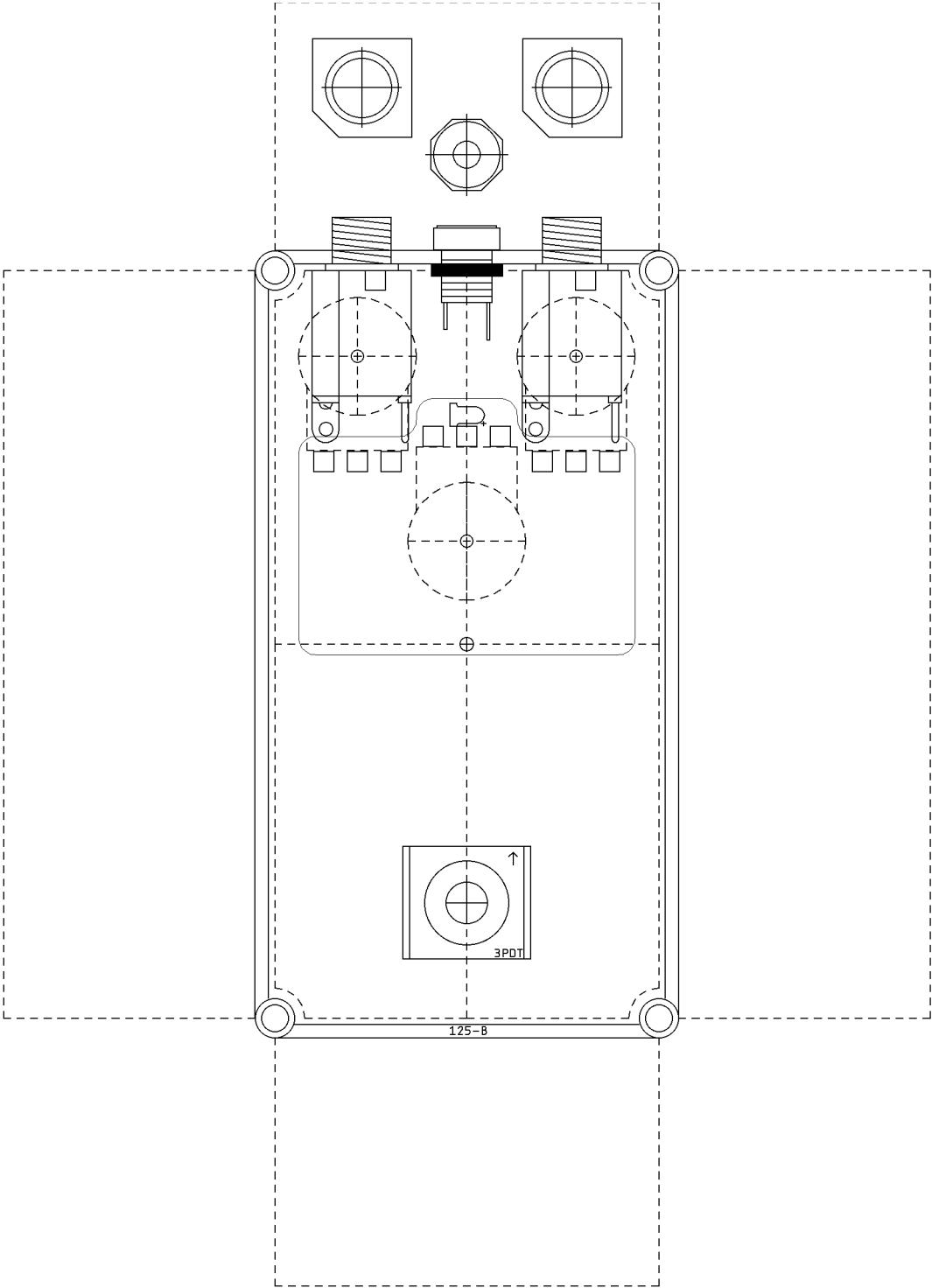
Value	Type (suggested)	Quantity
2.4k	¼ watt metal or carbon film	1
4.7k	¼ watt metal or carbon film	1
10k	¼ watt metal or carbon film	1
82k	¼ watt metal or carbon film	1
100k	¼ watt metal or carbon film	1
220k	¼ watt metal or carbon film	1
390k	¼ watt metal or carbon film	1
470k	¼ watt metal or carbon film	3
1M	¼ watt metal or carbon film	2
4.7M	¼ watt metal or carbon film	1
2.2n	Film	1
47n	Film	2
100n	Film	2
4.7μ	Electrolytic (25v+)	4
10μ	Electrolytic (25v+)	1
100μ	Electrolytic (25v+)	1
1N34A	Germanium diode	1

1N5817	Schottky rectifier diode	1
2N5457/MMBF5457	JFET	2
LED	3 or 5mm	1
TL072	Dual opamp	1
10k trim	Trim pot	1
A10k	16mm right angle PC mount	1
B50k	16mm right angle PC mount	1
C5k	16mm right angle PC mount	1

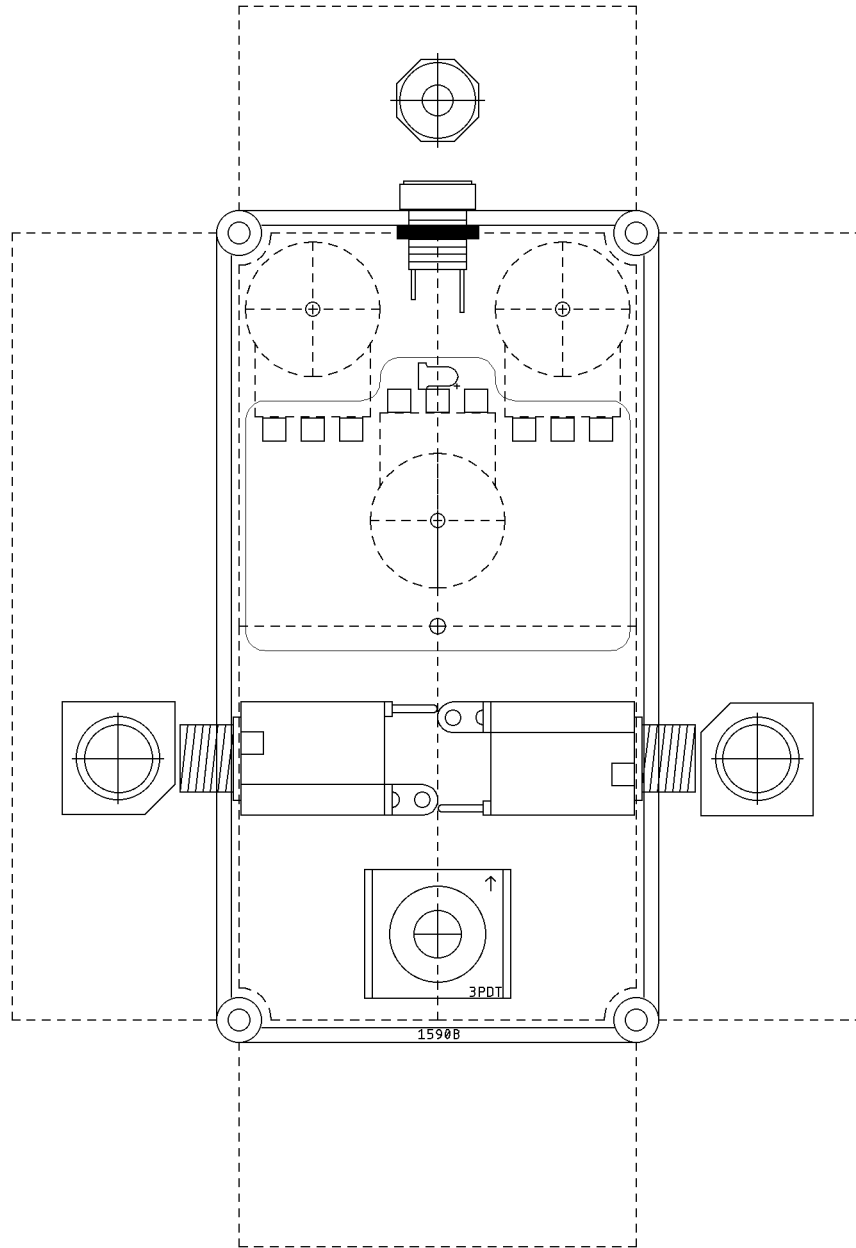
LAYOUT



DRILL TEMPLATE (125B)



DRILL TEMPLATE (1590B)



EFFECTS LAYOUTS © 2021
For DIY and small commercial applications.
Not for non-peer to peer resale.