



# KING OF THE MORNING

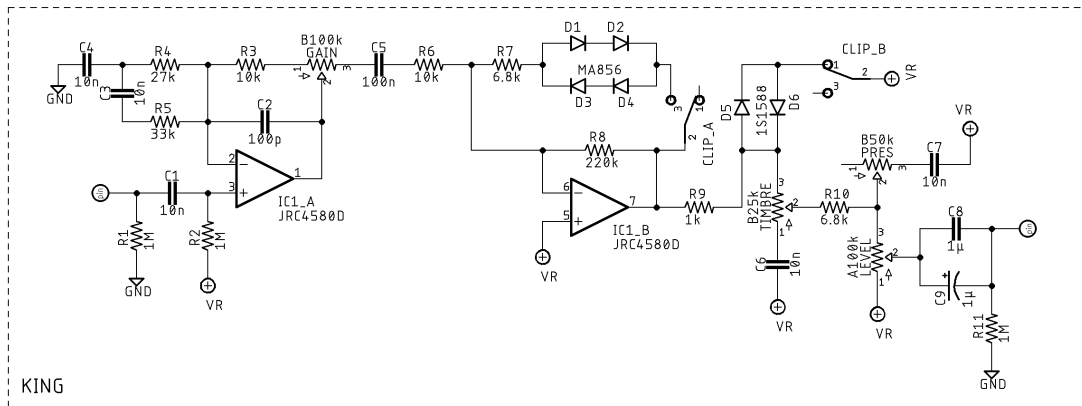
## DESCRIPTION

The KING OF THE MORNING is based on a couple famous Blues Breaker-based effects, combining half an Analogman King of Tone-style drive with a JHS Morning Glory-style drive in one compact footprint.

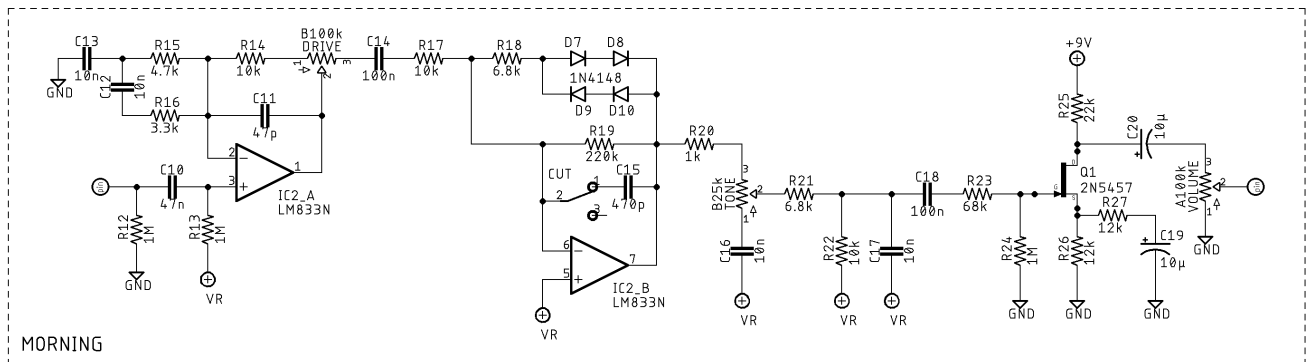
## SCHEMATIC

### KING OF THE MORNING

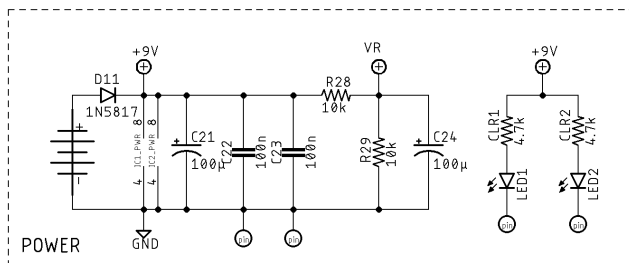
EFFECTS LAYOUTS | 2021



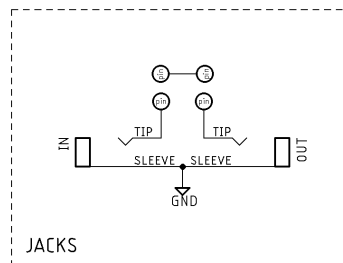
KING



MORNING



POWER



JACKS

## BOM

### Resistors

R1	1M
R2	1M
R3	10k
R4	27k
R5	33k
R6	10k
R7	6.8k
R8	220k
R9	1k
R10	6.8k
R11	1M
R12	1M
R13	1M
R14	10k
R15	4.7k
R16	3.3k
R17	10k
R18	6.8k
R19	220k
R20	1k
R21	6.8k
R22	10k
R23	68k
R24	1M
R25	22k
R26	12k
R27	12k
R28	10k
R29	10k
CLR1	4.7k
CLR2	4.7k

### Capacitors

C1	10n
C2	100p
C3	10n
C4	10n
C5	100n
C6	10n
C7	10n
C8	1μ
C9	1μ

C10	47n
C11	47p
C12	10n
C13	10n
C14	100n
C15	470p
C16	10n
C17	10n
C18	100n
C19	10μ
C20	10μ
C21	100μ
C22	100n
C23	100n
C24	100μ

### Semiconductors

D1	MA856
D2	MA856
D3	MA856
D4	MA856
D5	1S1588
D6	1S1588
D7	1N4148
D8	1N4148
D9	1N4148
D10	1N4148
D11	1N5817
IC1	JRC4580D
IC2	LM833N
Q1	2N5457 or MMBF5457
LED1	3 or 5mm
LED2	3 or 5mm

### Electromechanical

Clip	DPDT on/off/on
Cut	SPDT on/on
Drive	B100k
Gain	B100k
Level	A100k
Presence	B50k
Timbre	B25k
Tone	B25k
Volume	A100k

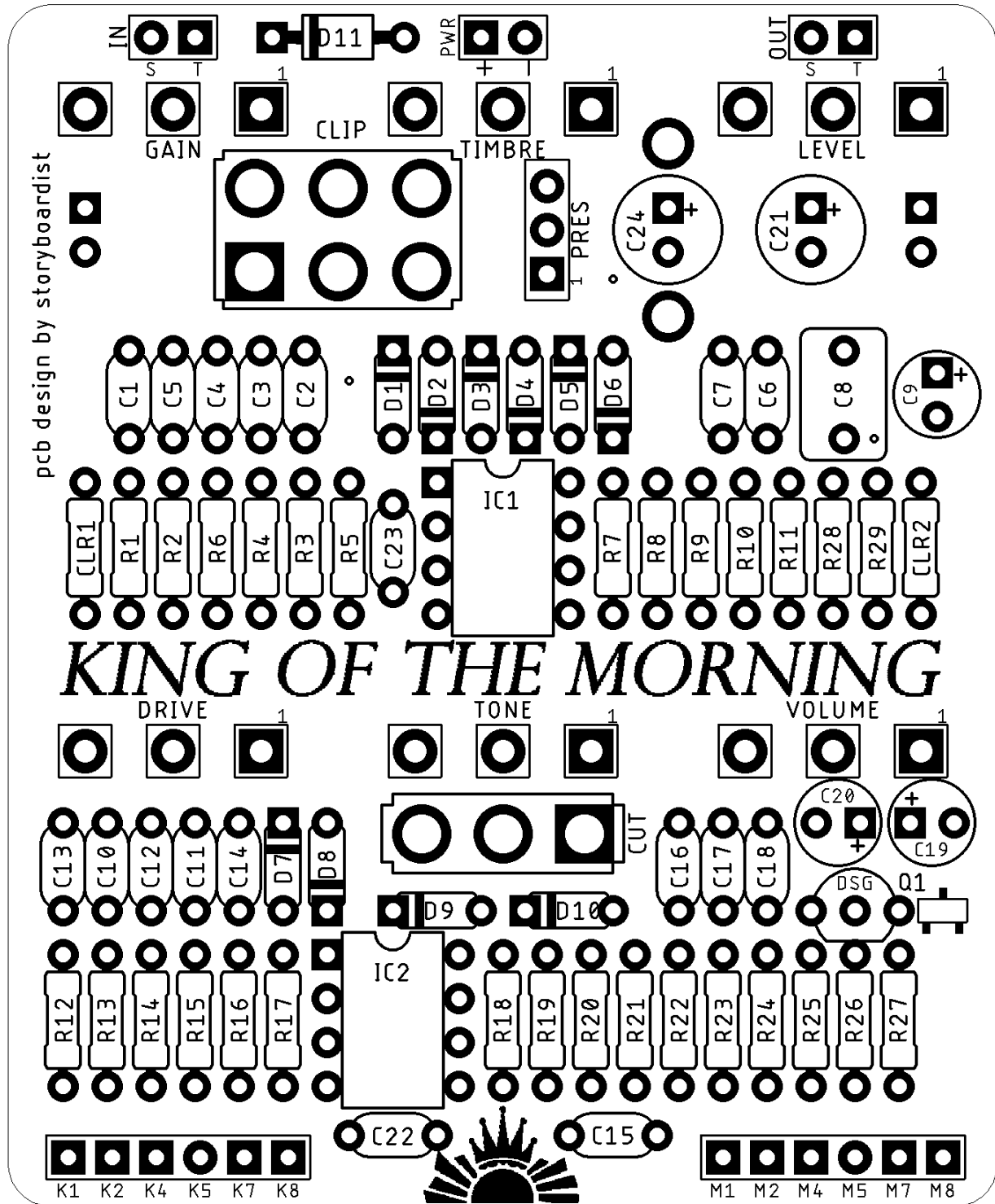
## Notes

D1-4 can be substituted with 1N4148 and D5-6 with 1N4001 diodes if the originals can be somewhat hard to come by. Other dual opamps can be used for both ICs.

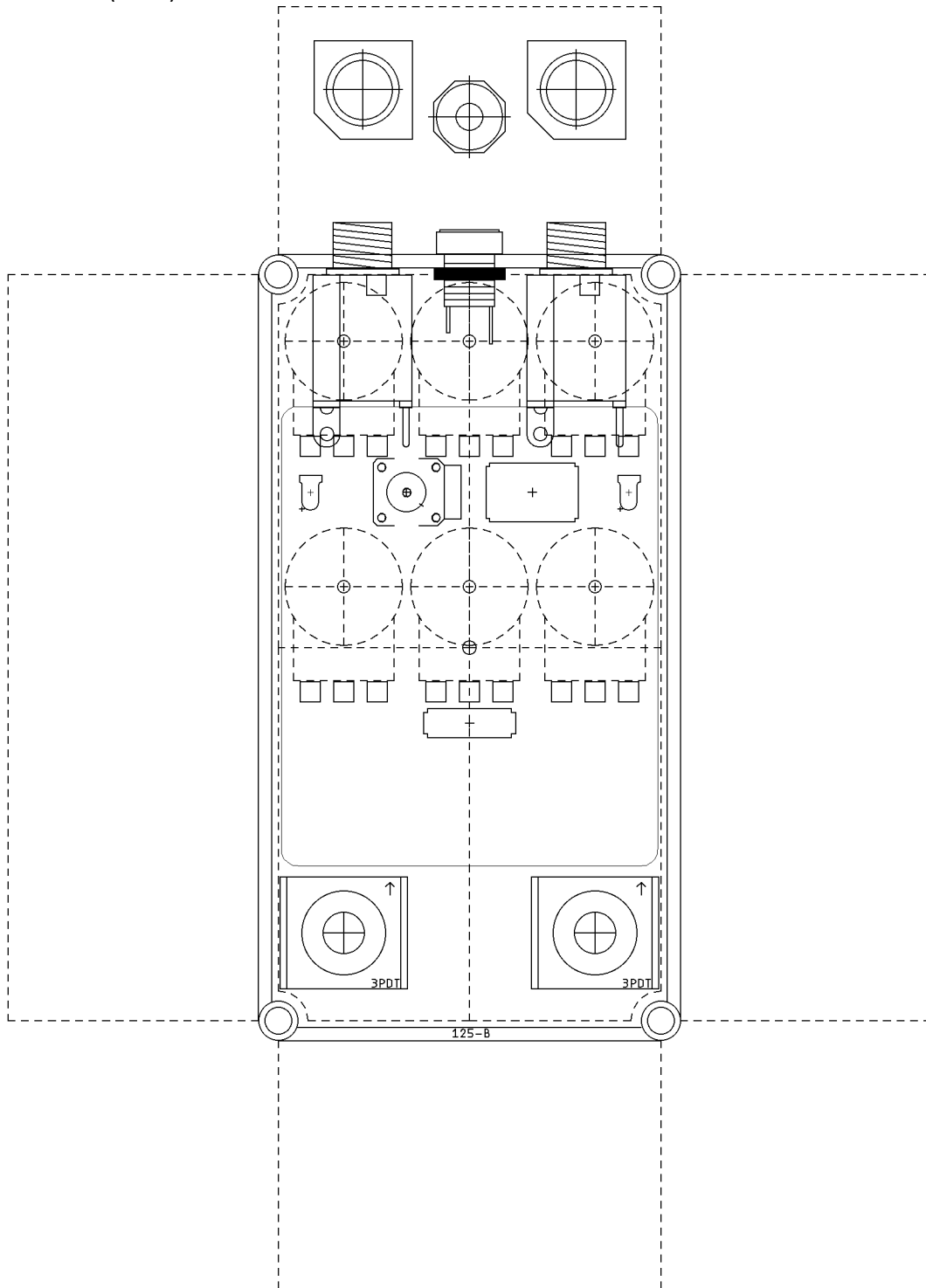
## SHOPPING LIST

Part	Type (suggested)	Quantity
1k	¼ watt metal or carbon film	2
3.3k	¼ watt metal or carbon film	1
4.7k	¼ watt metal or carbon film	3
6.8k	¼ watt metal or carbon film	4
10k	¼ watt metal or carbon film	7
12k	¼ watt metal or carbon film	2
22k	¼ watt metal or carbon film	1
27k	¼ watt metal or carbon film	1
33k	¼ watt metal or carbon film	1
68k	¼ watt metal or carbon film	1
220k	¼ watt metal or carbon film	2
1M	¼ watt metal or carbon film	6
47p	Ceramic	1
100p	Ceramic	1
470p	Ceramic	1
10n	Film	9
47n	Film	1
100n	Film	5
1μ	Film	1
1μ	Electrolytic (25v+)	1
10μ	Electrolytic (25v+)	2
100μ	Electrolytic (25v+)	2
1N4148	Silicon switching diode	4
1N5817	Schottky rectifier diode	1
1S1588	Silicon epitaxial planar diode	2
2N5457/MMBF5457	JFET	1
JRC4580D	Dual opamp	1
LM833	Dual opamp	1
LED	3 or 5mm	2
MA856	Silicon epitaxial planar diode	4
DPDT	On/off/on toggle	1
SPDT	On/on toggle	1
A100k	16mm right angle PC mount	2
B25k	16mm right angle PC mount	2
B50k	9mm plastic shaft PC mount	1
B100k	16mm right angle PC mount	2

LAYOUT



# DRILL TEMPLATE (125B)



EFFECTS LAYOUTS © 2021  
For DIY and small commercial applications.  
Not for non-peer to peer resale.