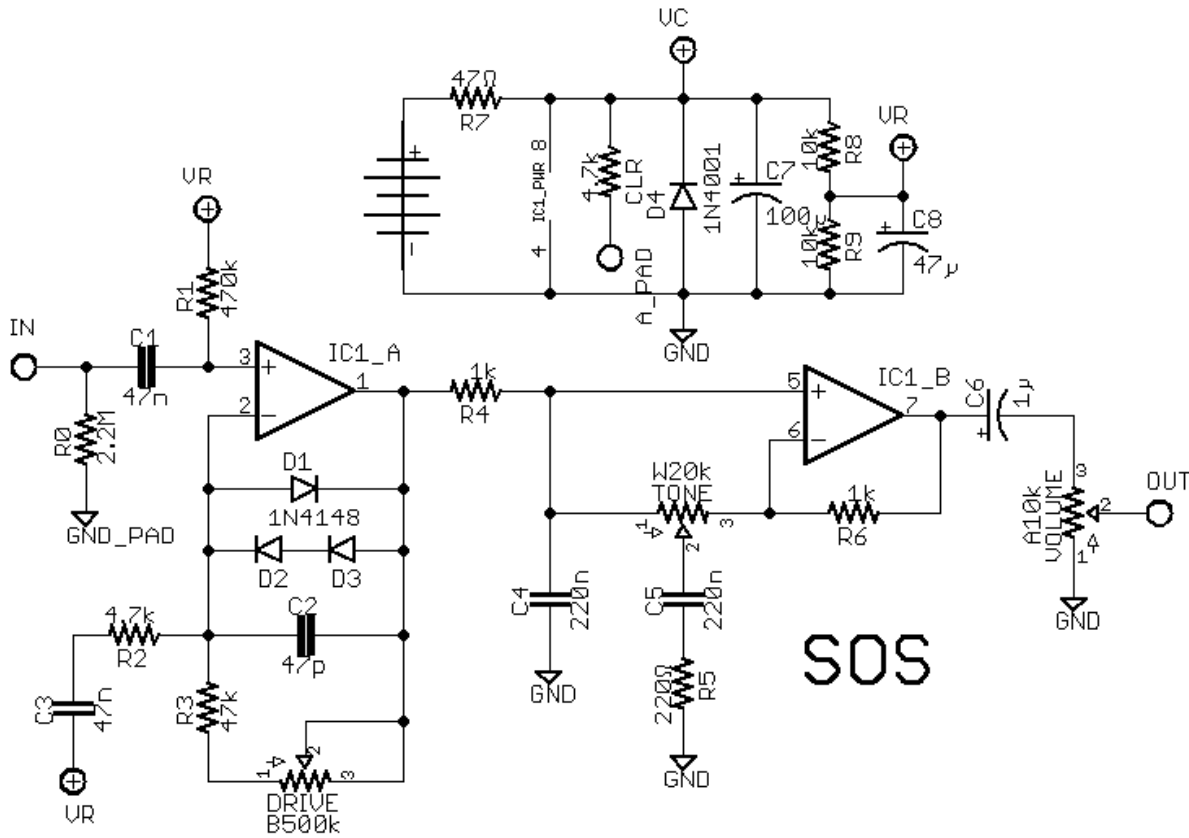


# S.O.S.

## DESCRIPTION

This is a buffer-less Tube Screamer, aka the basis of so many boutique drives. So this is ripe for modification and experimentation. There's really not a "wrong" way to build this, unless it just doesn't work. So check out other TS variants, use some sockets and make something unique, or just build it like the original TS circuit. It's a classic for a reason.

## SCHEMATIC



## BOM

### Resistors

R0	2.2M
R1	470k
R2	4.7k
R3	47k
R4	1k
R5	220Ω
R6	1k
R7	47Ω
R8	10k
R9	10k
CLR	4.7k

C4	220n
C5	220n
C6	1μ
C7	100μ
C8	47μ

### Semiconductors

D1	1N4148
D2	1N4148
D3	1N4148
D4	1N4001
IC1	Dual opamp

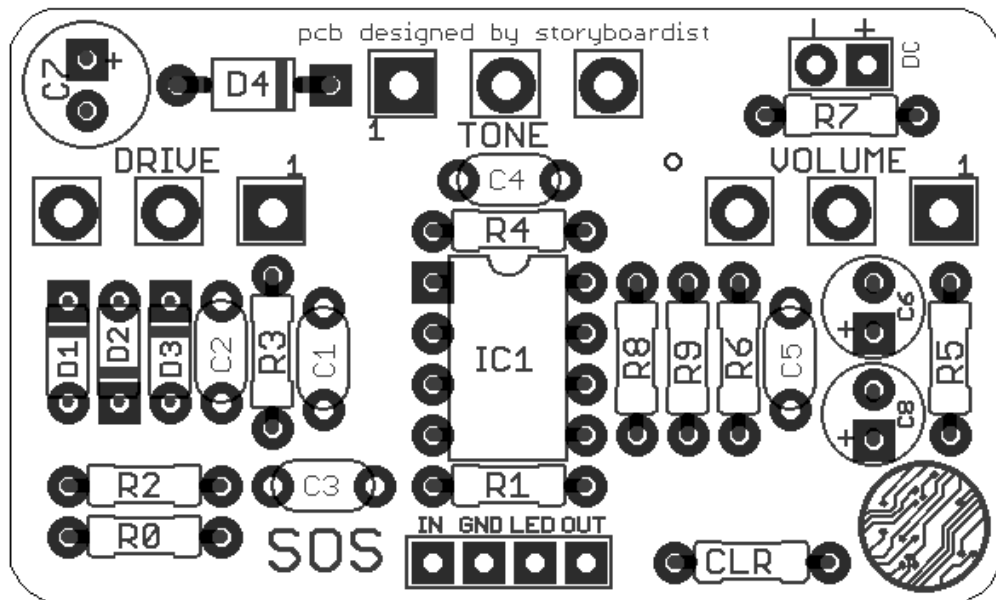
### Capacitors

C1	47n
C2	47p
C3	47n

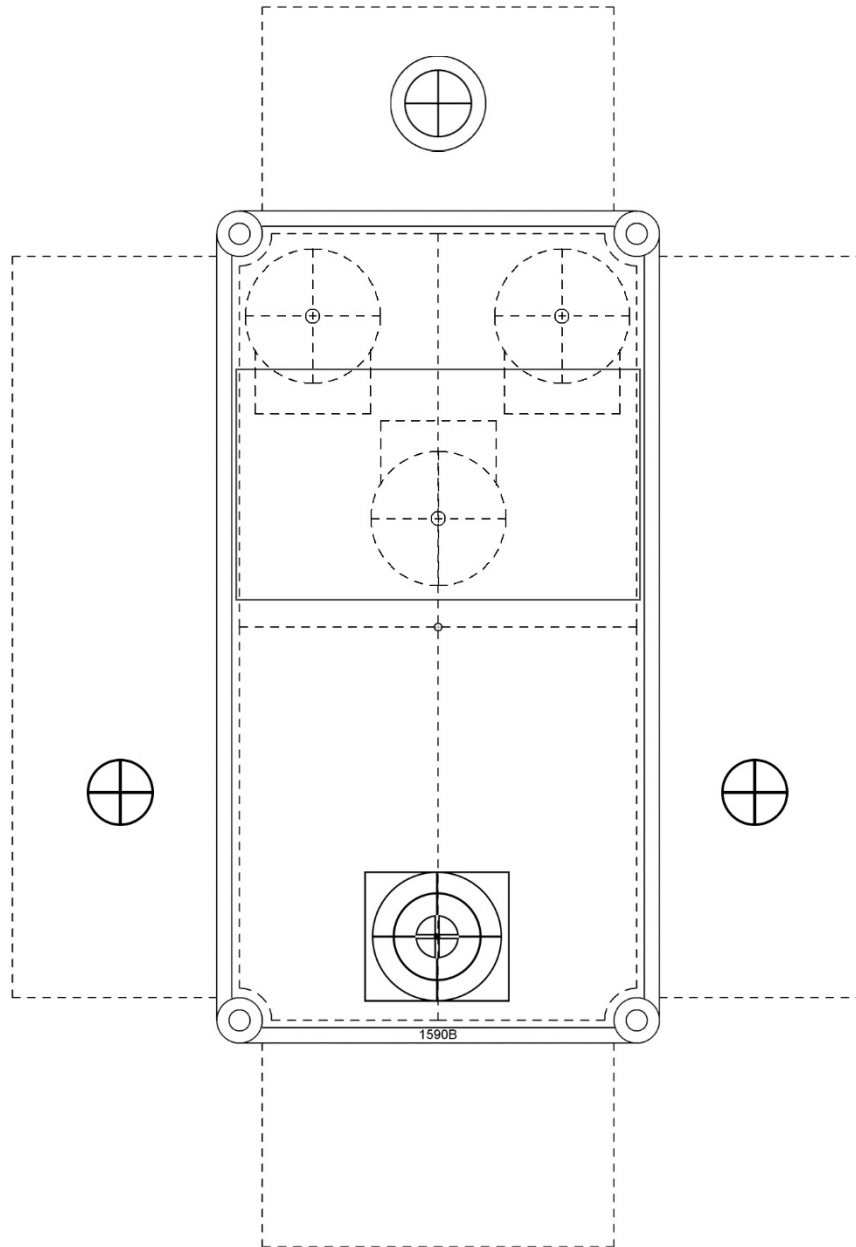
### Electromechanical

Drive	B500k
Tone	B or W20k
Volume	A10k

## LAYOUT



**DRILL TEMPLATE (1590B)**



EFFECTS LAYOUTS © 2021  
For DIY and small commercial applications.  
Not for non-peer to peer resale.