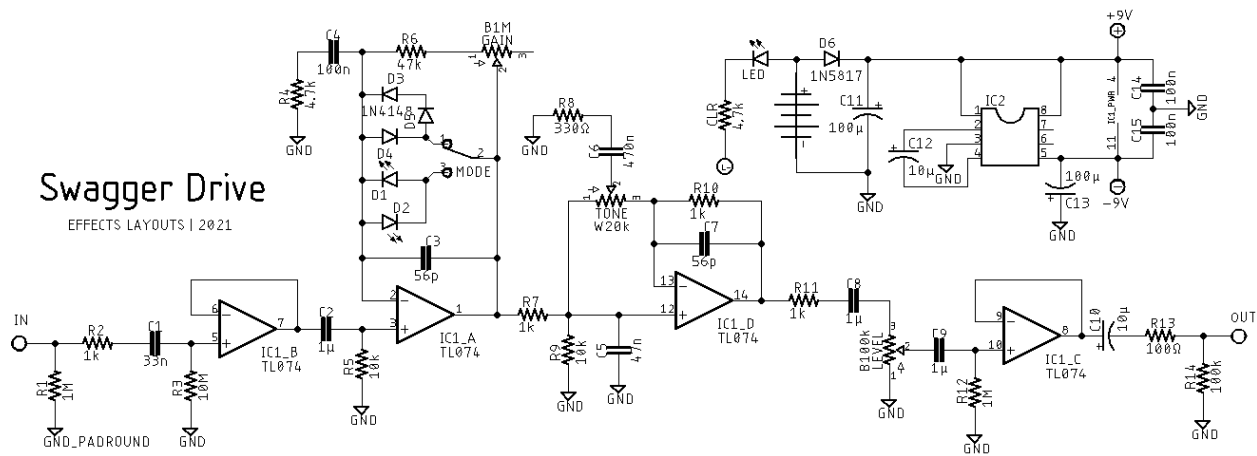


# Swagger

## DESCRIPTION

The SWAGGER is a development of the classic Ibanez Tube Screamer, based on the Earthquaker Devices Plumex. It features improved input/output buffers, clipping options and a bi-polar power supply.

## SCHEMATIC



## BOM

### Resistors

R1	1M
R2	1k
R3	10M
R4	4.7k
R5	10k
R6	47k
R7	1k
R8	330Ω
R9	10k
R10	1k
R11	1k
R12	1M
R13	100Ω
R14	100k
CLR	4.7k

### Capacitors

C1	33n
C2	1μ
C3	56p
C4	100n
C5	47n
C6	470n
C7	56p
C8	1μ
C9	1μ
C10	10μ
C11	100μ
C12	10μ
C13	100μ
C14	100n
C15	100n

## Semiconductors

D1	3mm red LED
D2	3mm red LED
D3	1N4148
D4	1N4148
D5	1N4148
D6	1N5817
IC1	TL074

IC2	MAX1044
LED	3 or 5mm LED

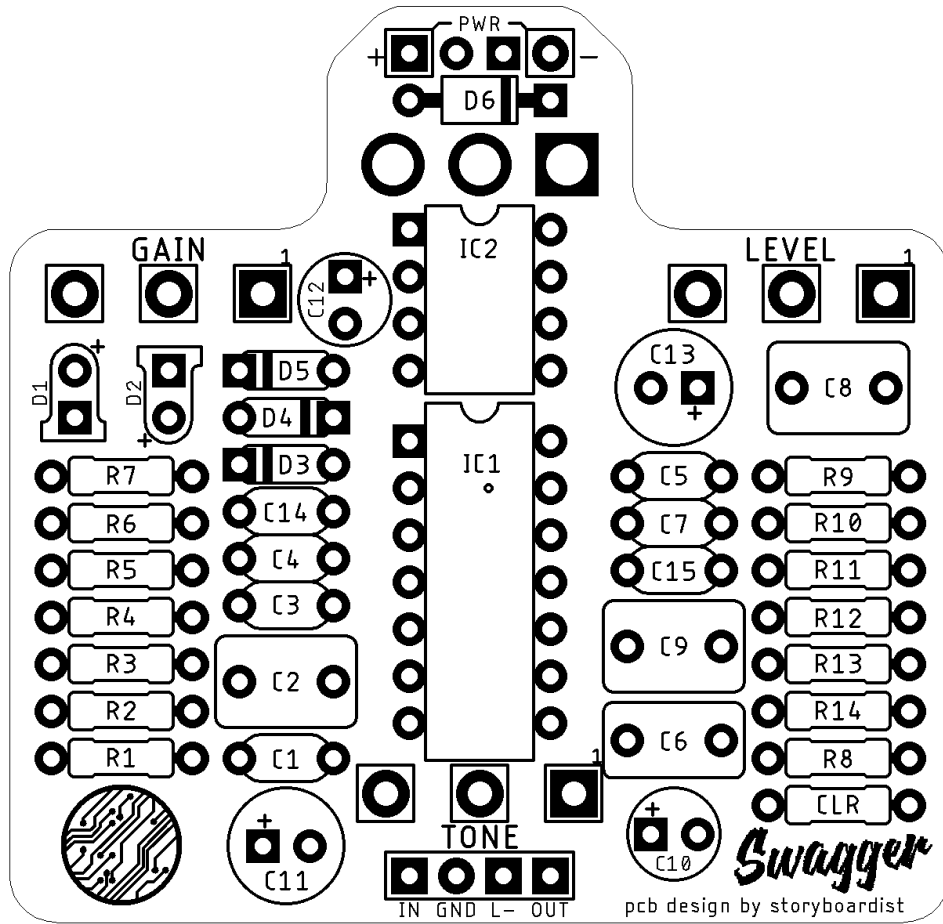
## Electromechanical

Gain	B1M
Level	B100k
Mode	SPDT on/off/on
Tone	W20k (or B20k)

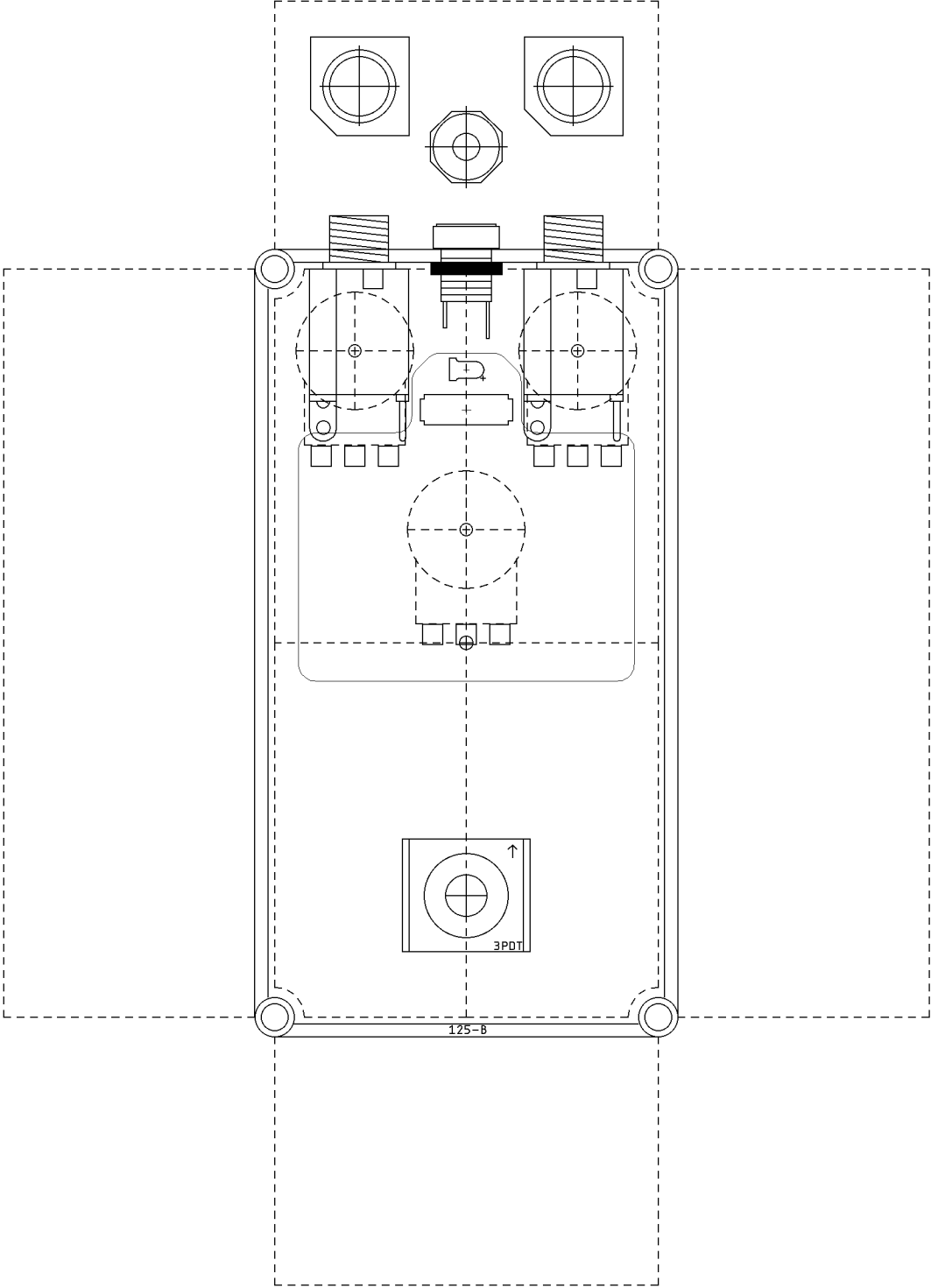
## SHOPPING LIST

Value	Type (suggested)	Quantity
100Ω	¼ watt metal or carbon film	1
330Ω	¼ watt metal or carbon film	1
1k	¼ watt metal or carbon film	4
4.7k	¼ watt metal or carbon film	2
10k	¼ watt metal or carbon film	2
47k	¼ watt metal or carbon film	1
100k	¼ watt metal or carbon film	1
1M	¼ watt metal or carbon film	2
10M	¼ watt metal or carbon film	1
56p	Ceramic	2
33n	Film	1
47n	Film	1
100n	Film	3
470n	Film	1
1μ	Film	3
10μ	Electrolytic (35v+)	2
100μ	Electrolytic (35v+)	2
1N4148	Silicon switching diode	3
1N5817	Schottky rectifier diode	1
3mm red LED		2
LED	3 or 5mm	1
MAX1044	Voltage converter	1
TL074	Quad opamp	1
B100k	16mm right angle PC mount	1
B1M	16mm right angle PC mount	1
W (or B) 20k	16mm right angle PC mount	1

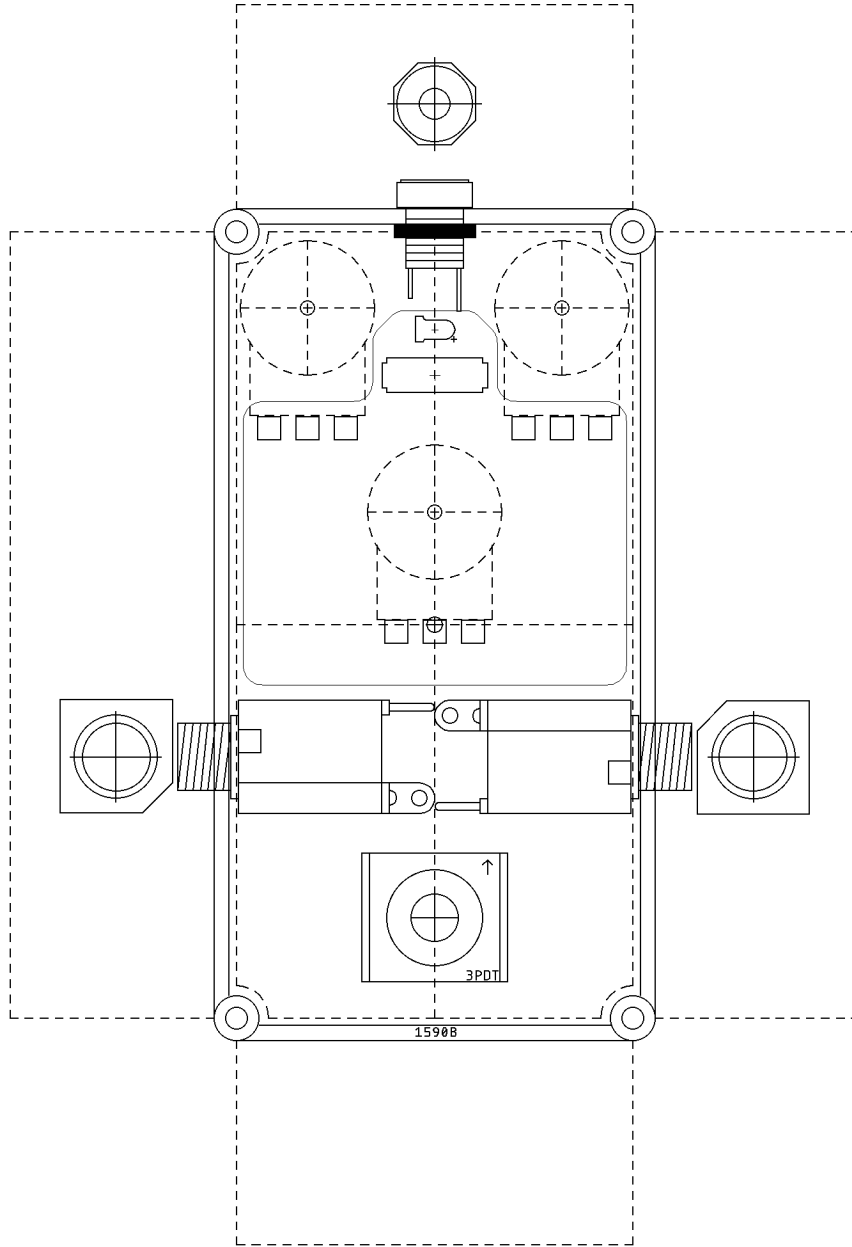
LAYOUT



**DRILL TEMPLATE (125B)**



**DRILL TEMPLATE (1590B)**



EFFECTS LAYOUTS © 2021  
For DIY and small commercial applications.  
Not for non-peer to peer resale.