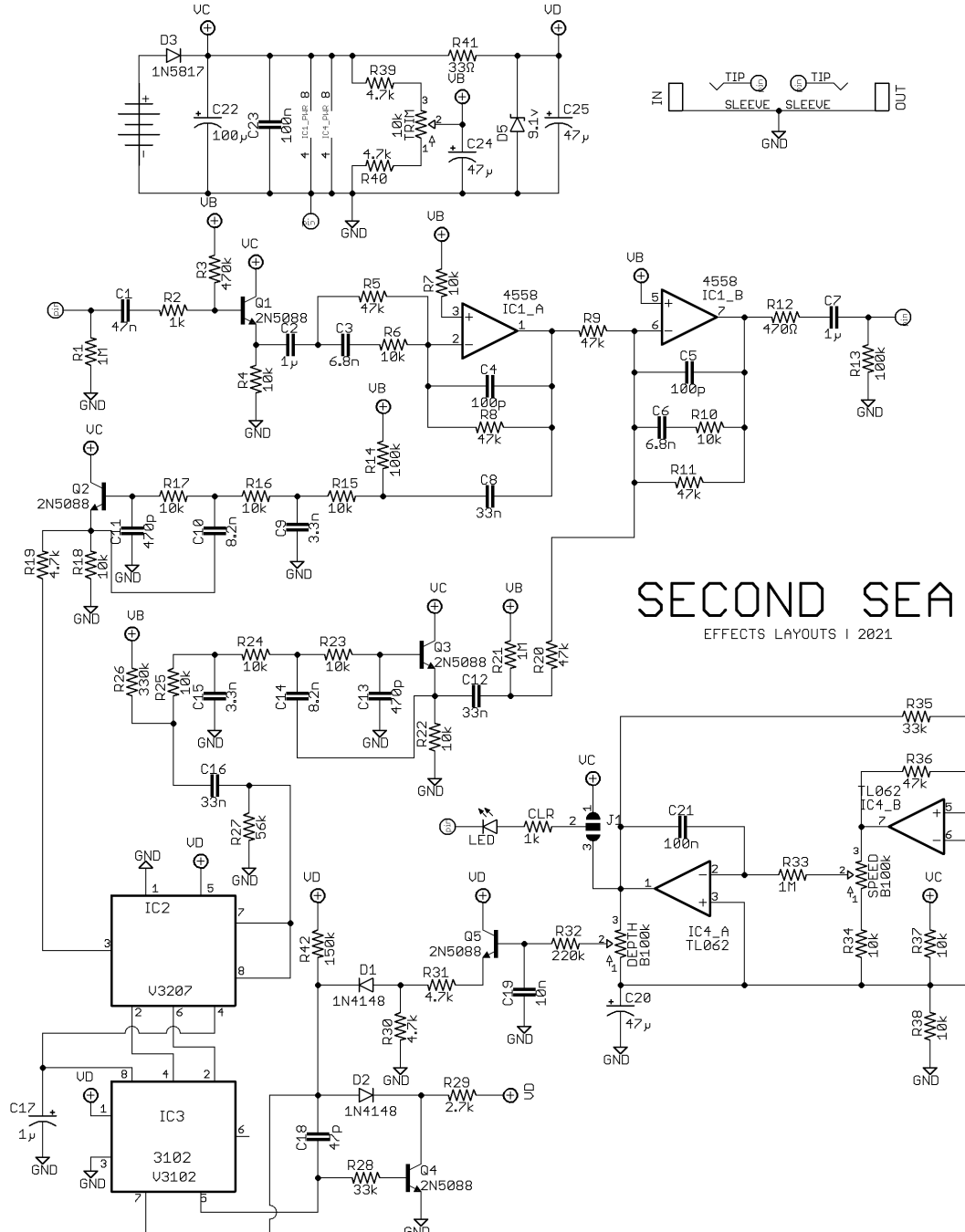


SECOND SEA CHORUS

DESCRIPTION

The SECOND SEA is an analog chorus utilizing the 3102 and 3207 BBD chipset and based on the classic Boss CE-2. It's designed to fit in a 125B enclosure with top mounted jacks.

SCHEMATIC



BOM

Resistors

R1	1M
R2	1k
R3	470k
R4	10k
R5	47k
R6	10k
R7	10k
R8	47k
R9	47k
R10	10k
R11	47k
R12	470Ω
R13	100k
R14	100k
R15	10k
R16	10k
R17	10k
R18	10k
R19	4.7k
R20	47k
R21	1M
R22	10k
R23	10k
R24	10k
R25	10k
R26	330k
R27	56k
R28	33k
R29	2.7k
R30	4.7k
R31	4.7k
R32	220k
R33	1M
R34	10k
R35	33k
R36	47k
R37	10k
R38	10k
R39	4.7k
R40	4.7k
R41	33Ω
R42	150k
CLR	4.7k

Capacitors

C1	47n
C2	1μ
C3	6.8n
C4	100p
C5	100p
C6	6.8n
C7	1μ
C8	33n
C9	3.3n
C10	8.2n
C11	470p
C12	33n
C13	470p
C14	8.2n
C15	3.3n
C16	33n
C17	1μ
C18	47p
C19	10n
C20	47μ
C21	100n
C22	100μ
C23	100n
C24	47μ
C25	47μ

Semiconductors

D1	1N4148
D2	1N4148
D3	1N5817
D5	9.1v Zener
IC1	JRC4558
IC2	MN3207
IC3	MN3102
IC4	TL062
LED	3 or 5mm LED
Q1	2N5088
Q2	2N5088
Q3	2N5088
Q4	2N5088
Q5	2N5088

Electromechanical

Depth	B100k
Speed	B100k
Trim	10k

Note

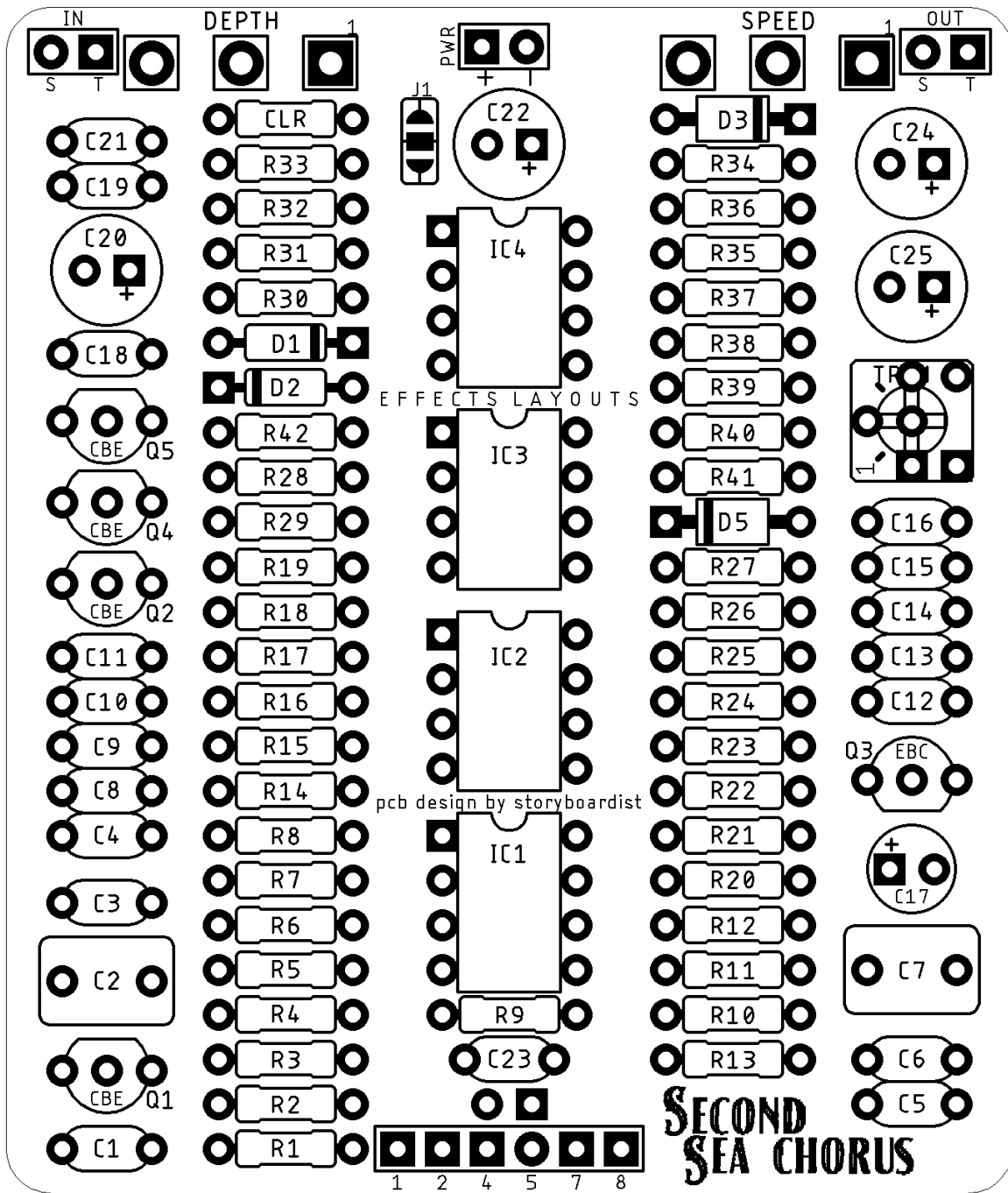
The 3 SMD pads labeled "J1" on the board allow you to have the LED indicator either be on constant or pulse with the speed of the LFO. For constant connect the top two pads together, for pulse connect the bottom two.

SHOPPING LIST

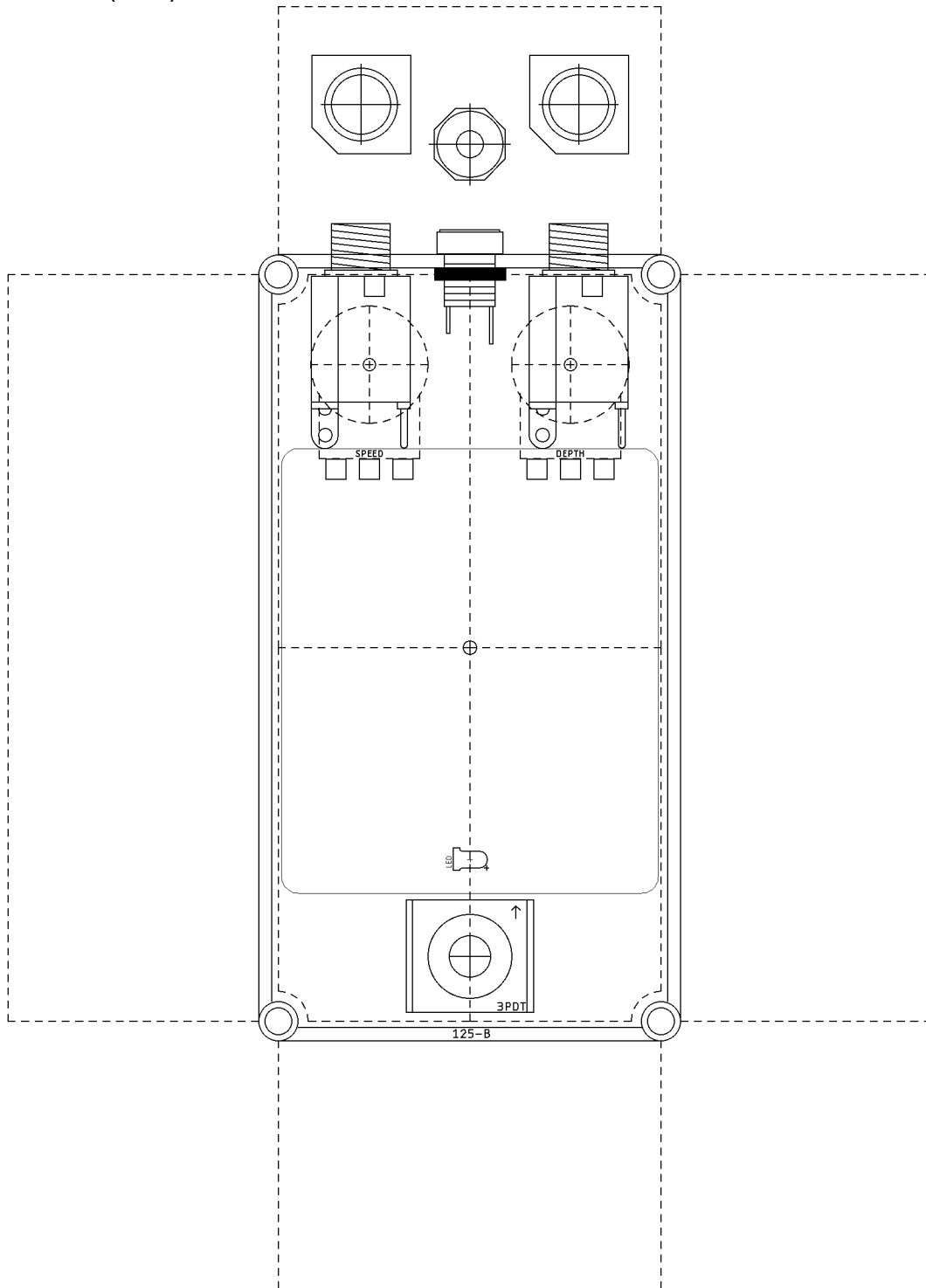
Value	Type (suggestion)	Quantity
33Ω	¼ watt metal or carbon film	1
470Ω	¼ watt metal or carbon film	1
1k	¼ watt metal or carbon film	1
2.7k	¼ watt metal or carbon film	1
4.7k	¼ watt metal or carbon film	6
10k	¼ watt metal or carbon film	15
33k	¼ watt metal or carbon film	2
47k	¼ watt metal or carbon film	6
56k	¼ watt metal or carbon film	1
100k	¼ watt metal or carbon film	2
150k	¼ watt metal or carbon film	1
220k	¼ watt metal or carbon film	1
330k	¼ watt metal or carbon film	1
470k	¼ watt metal or carbon film	1
1M	¼ watt metal or carbon film	3
47p	Ceramic	1
100p	Ceramic	2
470p	Ceramic	2
3.3n	Film	2
6.8n	Film	2
8.2n	Film	2
10n	Film	1
33n	Film	3
47n	Film	1
100n	Film	2
1μ	Film	3
47μ	Electrolytic (25v+)	3
100μ	Electrolytic (25v+)	1
1N4148	Silicon switching diode	2
1N5817	Schottky rectifier diode	1
2N5088	BJT	5
9.1v Zener	Zener diode	1
JRC4558	Dual opamp	1
LED	3 or 5mm LED	1
MN3102	Clock	1
MN3207	BBD	1

TL062	Dual opamp	1
10k	Trim	1
B100k	16mm right angle PC mount	2

LAYOUT



DRILL TEMPLATE (125B)



EFFECTS LAYOUTS © 2021
For DIY and small commercial applications.
Not for non-peer to peer resale.