



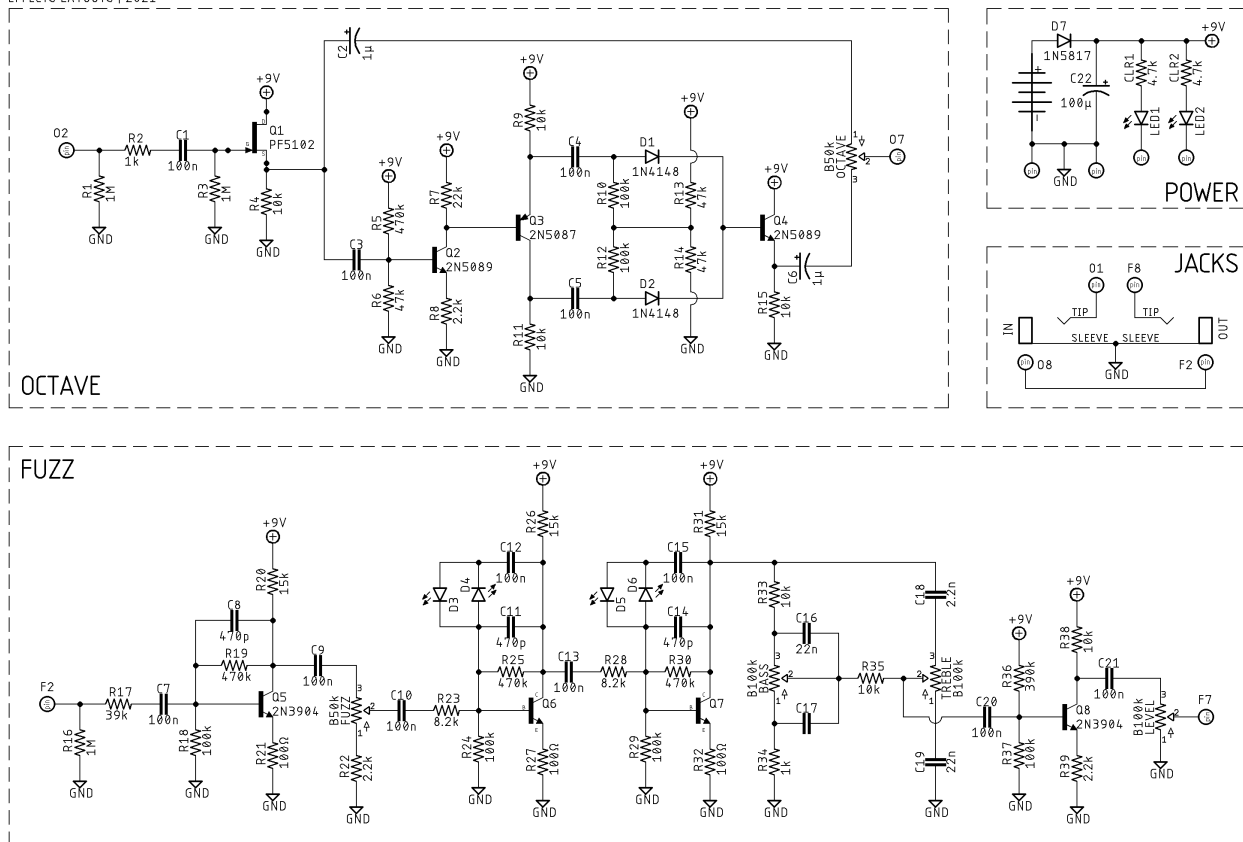
DESCRIPTION

The SASQUATCH II is a versatile Big Muff variant with a 2-band EQ, pushed by an octave based on the classic Dan Armstrong Green Ringer. The octave now has an added JFET buffer up front to allow you to blend octave and clean signals to tame the octave a bit if desired.

SCHEMATIC

SASQUATCH II

EFFECTS LAYOUTS | 2021



BOM

Resistors

R1	1M
R2	1k
R3	1M
R4	10k
R5	470k
R6	47k
R7	22k
R8	2.2k
R9	10k
R10	100k
R11	10k
R12	100k
R13	47k
R14	47k
R15	10k
R16	1M
R17	39k
R18	100k
R19	470k
R20	15k
R21	100Ω
R22	2.2k
R23	8.2k
R24	100k
R25	470k
R26	15k
R27	100Ω
R28	8.2k
R29	100k
R30	470k
R31	15k
R32	100Ω
R33	10k
R34	1k
R35	10k
R36	390k
R37	100k
R38	10k
R39	2.2k
CLR1	4.7k
CLR2	4.7k

Capacitors

C1	100n
C2	1μ
C3	100n
C4	100n
C5	100n
C6	1μ
C7	100n
C8	470p
C9	100n
C10	100n
C11	470p
C12	100n
C13	100n
C14	470p
C15	100n
C16	22n
C17	220n
C18	2.2n
C19	22n
C20	100n
C21	100n
C22	100μ

Semiconductors

D1	1N4148
D2	1N4148
D3	3mm red LED
D4	3mm red LED
D5	3mm red LED
D6	3mm red LED
D7	1N5817
LED1	3 or 5mm LED
LED2	3 or 5mm LED
Q1	PF5102 or similar JFET
Q2	2N5089
Q3	2N5087
Q4	2N5089
Q5	2N3904
Q6	NPN Germanium
Q7	NPN Germanium
Q8	2N3904

Electromechanical

Bass	B100k
Fuzz	B50k
Level	B100k
Octave	B50k
Treble	B100k

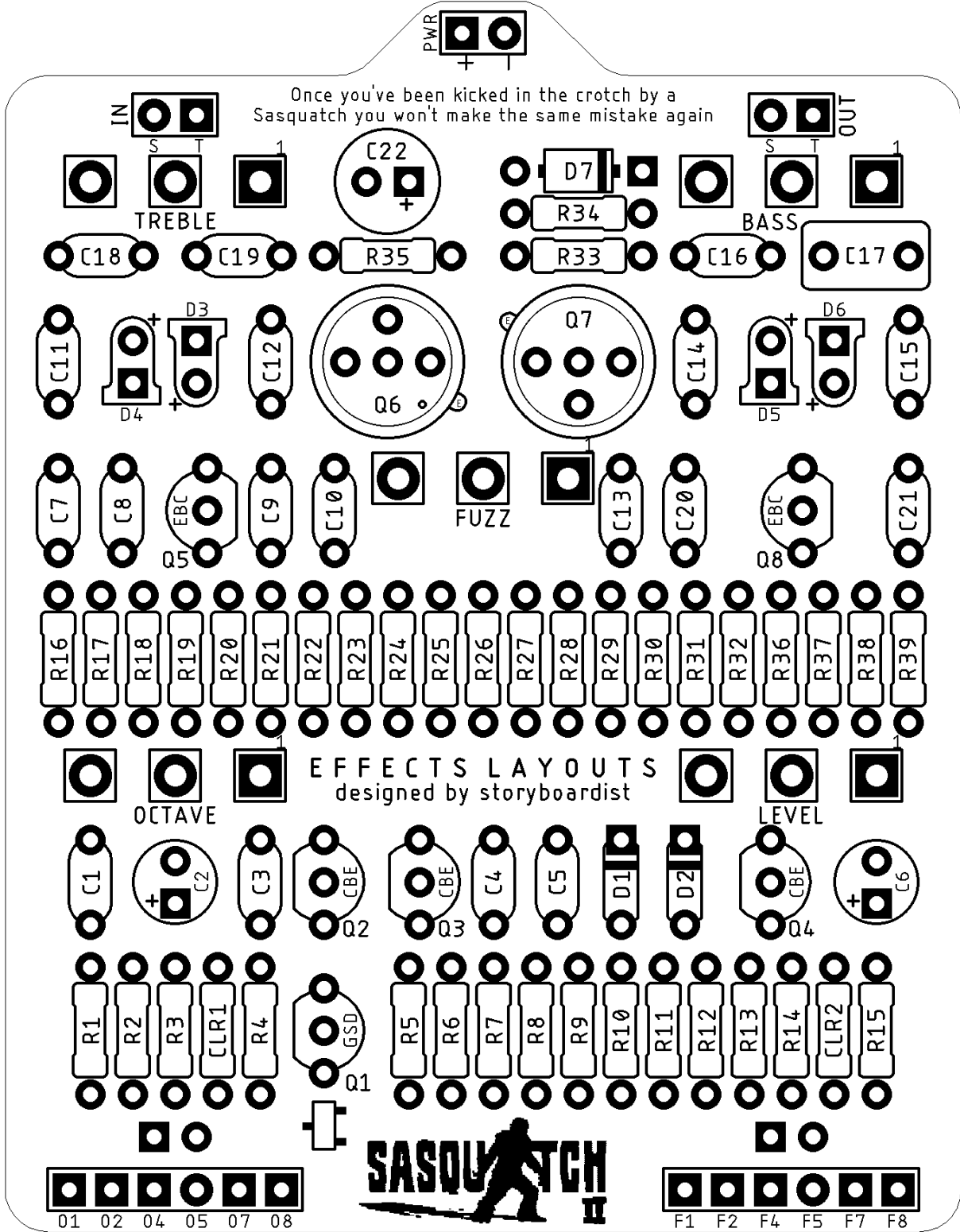
Note

There are SMD pads for Q1 if a through-hole JFET isn't available. J201, 2N5457 should all work just fine there. Germanium transistors for Q6-7 should have an hFE of around 200 or higher.

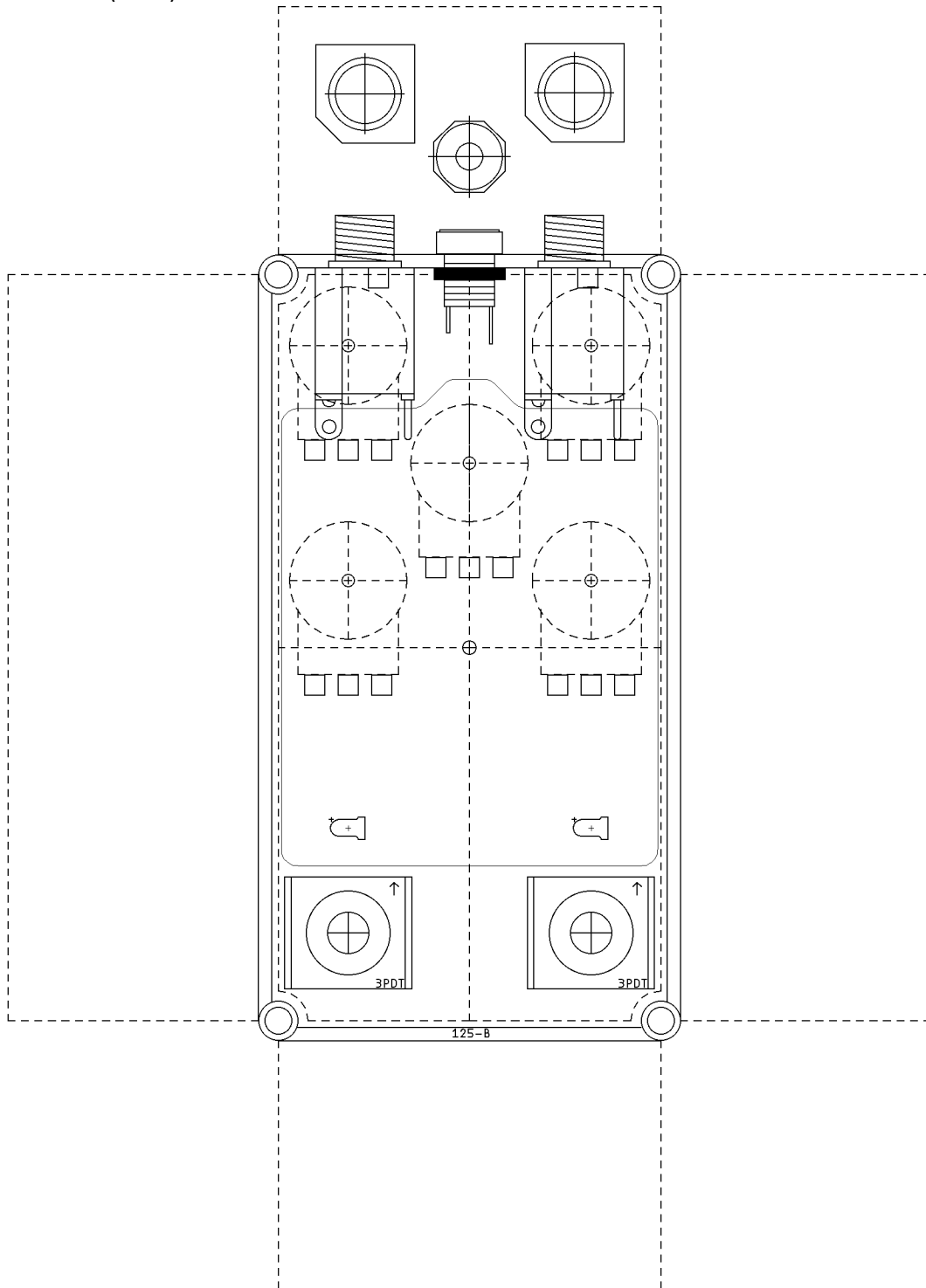
SHOPPING LIST

Value	Type (suggested)	Quantity
100Ω	¼ watt metal or carbon film	3
1k	¼ watt metal or carbon film	2
2.2k	¼ watt metal or carbon film	3
4.7k	¼ watt metal or carbon film	2
8.2k	¼ watt metal or carbon film	2
10k	¼ watt metal or carbon film	7
15k	¼ watt metal or carbon film	3
22k	¼ watt metal or carbon film	1
39k	¼ watt metal or carbon film	1
47k	¼ watt metal or carbon film	3
100k	¼ watt metal or carbon film	6
390k	¼ watt metal or carbon film	1
470k	¼ watt metal or carbon film	4
1M	¼ watt metal or carbon film	3
470p	Ceramic	3
2.2n	Film	1
22n	Film	2
100n	Film	12
220n	Film	1
1μ	Electrolytic (25v+)	2
100μ	Electrolytic (25v+)	1
1N4148	Silicon switching diode	2
1N5817	Schottky rectifier diode	1
2N3904	NPN Silicon BJT	2
2N5087	PNP Silicon BJT	1
2N5089	NPN Silicon BJT	2
3mm red LED		4
LED	3 or 5mm	2
NPN Germanium	NPN Germanium BJT	2
PF5102	JFET	1
B50k	16mm right angle PC mount	2
B100k	16mm right angle PC mount	3

LAYOUT



DRILL TEMPLATE (125B)



EFFECTS LAYOUTS © 2021
For DIY and small commercial applications.
Not for non-peer to peer resale.