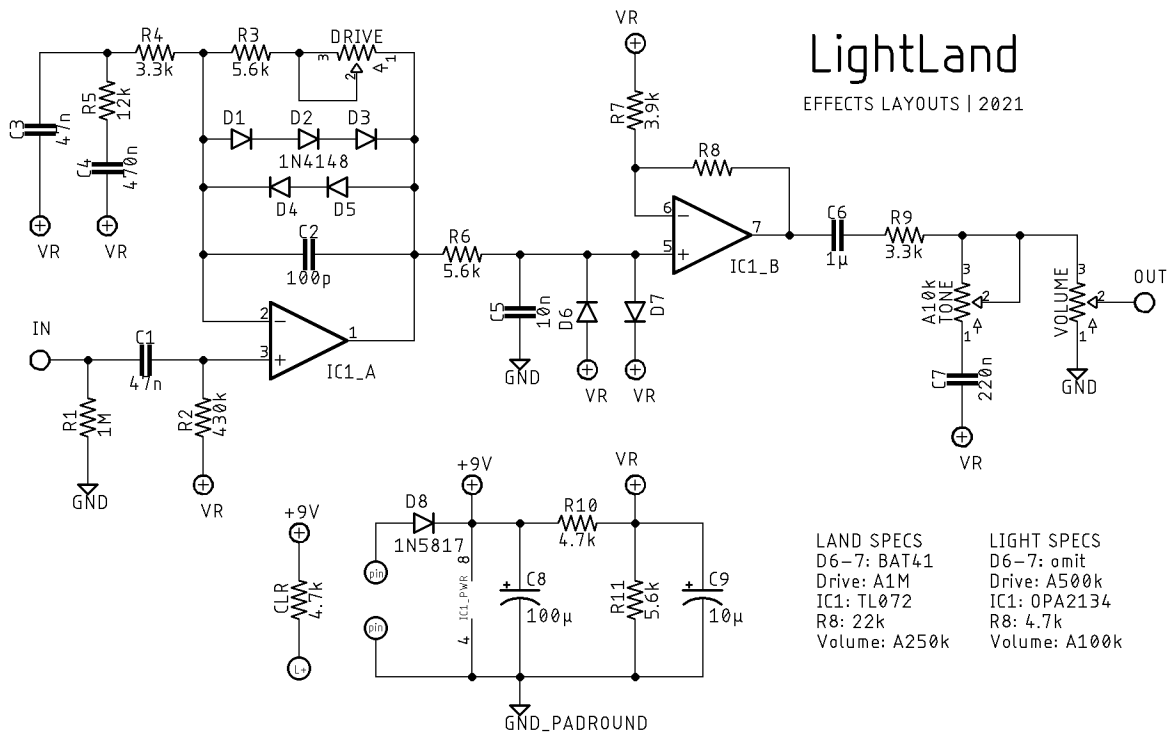


# Light Land

## DESCRIPTION

The LIGHT LAND is based off two great sounding Greer Amplification overdrives, and this board allows you to build either the Lightspeed or the Southland. The Light version is a medium gain drive with a good bit of transparency. The Land version is a bit more harmonically rich with heavier gain than the Light.

## SCHEMATIC



## BOM

Resistors	Light specs	Land specs
R1	1M	1M
R2	430k	430k
R3	5.6k	5.6k
R4	3.3k	3.3k
R5	12k	12k
R6	5.6k	5.6k
R7	3.9k	3.9k
R8	4.7k	22k
R9	3.3k	3.3k
R10	4.7k	4.7k
R11	5.6k	5.6k
CLR	4.7k	4.7k
Capacitors		
C1	47n	47n
C2	100p	100p
C3	47n	47n
C4	470n	470n
C5	10n	10n

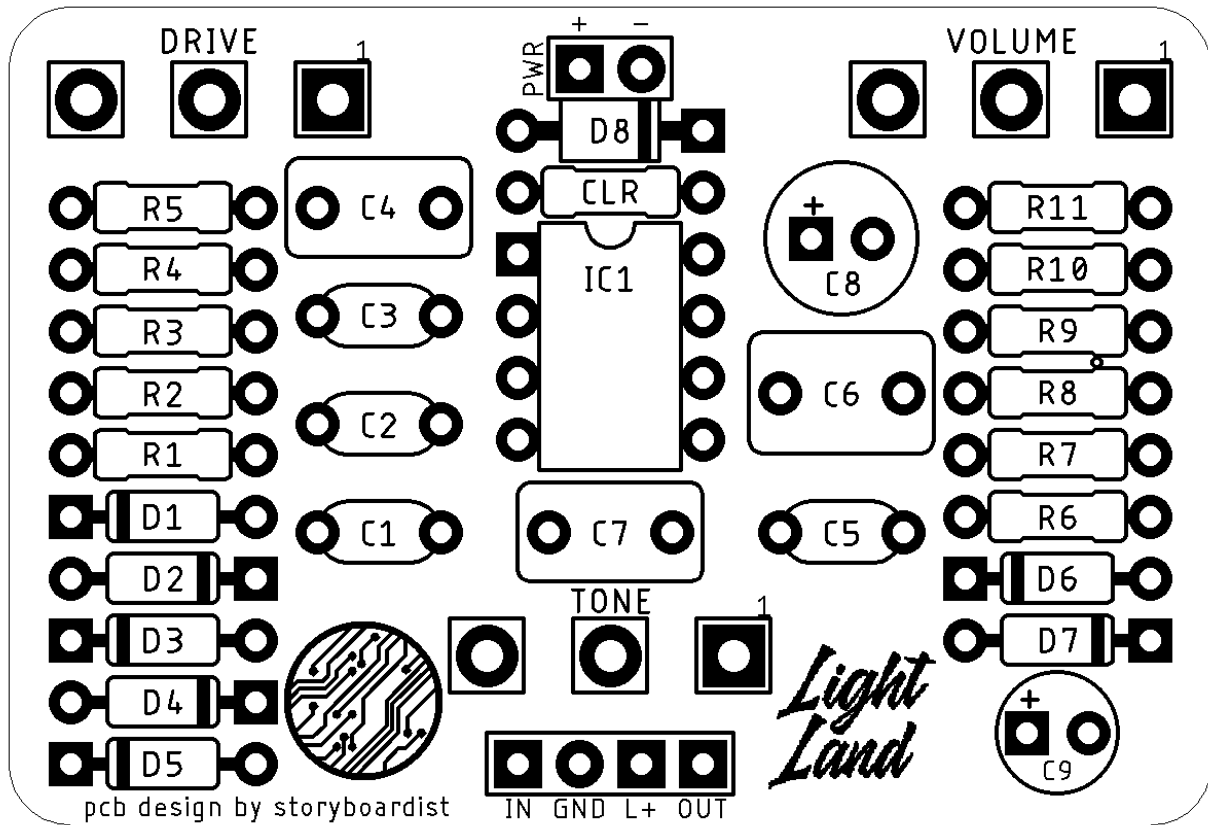
	Light specs	Land specs
C6	1μ	1μ
C7	220n	220n
C8	100μ	100μ
C9	10μ	10μ
Semiconductors		
D1	1N4148	1N4148
D2	1N4148	1N4148
D3	1N4148	1N4148
D4	1N4148	1N4148
D5	1N4148	1N4148
D6	omit	BAT41
D7	omit	BAT41
D8	1N5817	1N5817
IC1	OPA2134	TL072
Electromechanical		
Drive	A500k	A1M
Tone	A10k	A10k
Volume	A100k	A250k

## SHOPPING LIST

Value	Type (suggested)	Quantity (Light)	Quantity (Land)
3.3k	¼ watt metal or carbon film	2	2
3.9k	¼ watt metal or carbon film	1	1
4.7k	¼ watt metal or carbon film	3	2
5.6k	¼ watt metal or carbon film	3	3
12k	¼ watt metal or carbon film	1	1
22k	¼ watt metal or carbon film	0	1
430k	¼ watt metal or carbon film	1	1
1M	¼ watt metal or carbon film	1	1
100p	Ceramic	1	1
10n	Film	1	1
47n	Film	2	2
220n	Film	1	1
470n	Film	1	1
1μ	Film	1	1
10μ	Electrolytic (25v+)	1	1
100μ	Electrolytic (25v+)	1	1
1N4148	Silicon switching diode	5	5
1N5817	Schottky rectifier diode	1	1
BAT41	Schottky signal diode	0	2

OPA2134	Dual opamp	1	0
TL072	Dual opamp	0	1
A10k	16mm right angle PC mount	1	1
A100k	16mm right angle PC mount	1	0
A250k	16mm right angle PC mount	0	1
A500k	16mm right angle PC mount	1	0
A1M	16mm right angle PC mount	0	1

## LAYOUT



**DRILL TEMPLATE (125B)**

