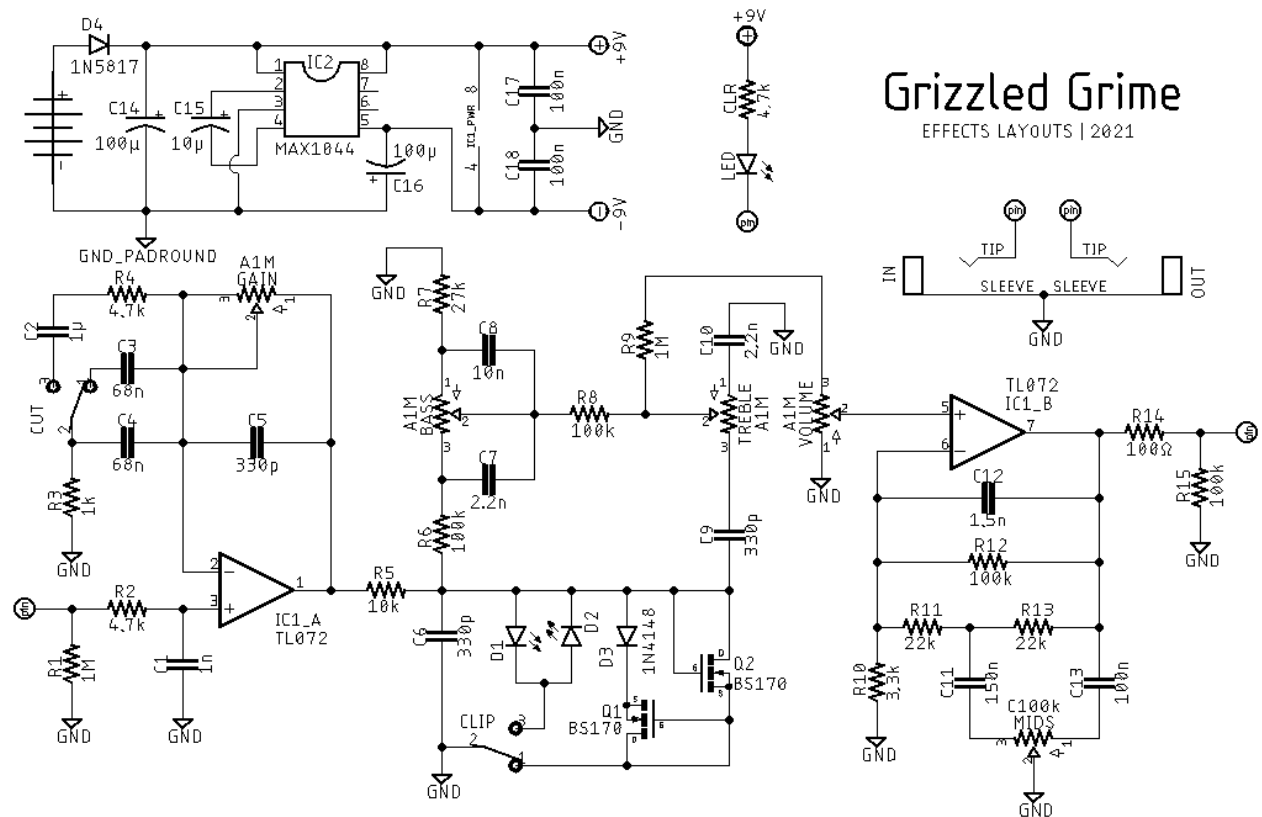


grizzled grime

DESCRIPTION

The GRIZZLED GRIME is a development of the Fulltone OCD/Voodoo Lab Overdrive circuit, with added 3-band EQ, bi-polar charge pump, and optimized for bass. It's based on the Dunwich Amplification Olde Dirty Bass. The board is designed to fit in a 125B enclosure with top mounted jacks.

SCHEMATIC



BOM

Resistors

R1	1M
R2	4.7k
R3	1k
R4	4.7k
R5	10k
R6	100k
R7	27k
R8	100k
R9	1M
R10	3.3k
R11	22k
R12	100k
R13	22k
R14	100Ω
R15	100k
CLR	4.7k

Capacitors

C1	1n
C2	1μ
C3	68n
C4	68n
C5	330p
C6	330p
C7	2.2n
C8	10n
C9	330p
C10	2.2n

C11	150n
C12	1.5n
C13	100n
C14	100μ
C15	10μ
C16	100μ
C17	100n
C18	100n

Semiconductors

D1	3mm red LED
D2	3mm red LED
D3	1N4148
D4	1N5817
IC1	TL072
IC2	MAX1044
LED	3 or 5mm LED
Q1	BS170
Q2	BS170

Electromechanical

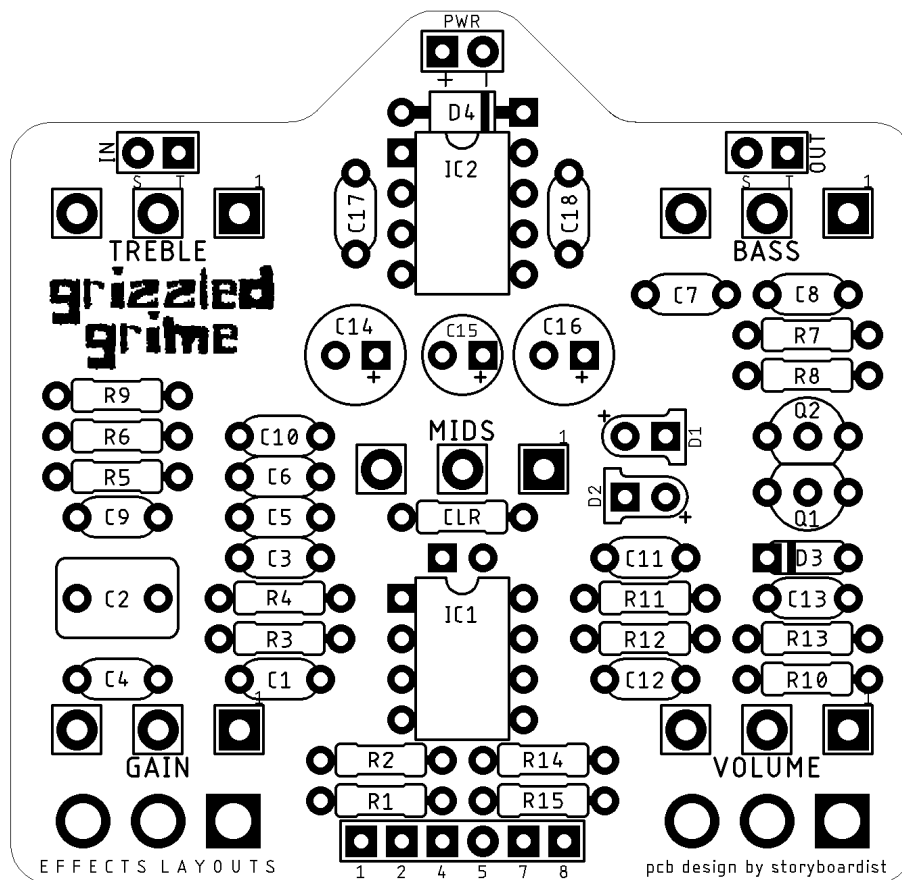
Bass	A1M
Clip	SPDT on/off/on
Cut	SPDT on/on
Gain	A1M
Mids	C100k
Treble	A1M
Volume	A1M

SHOPPING LIST

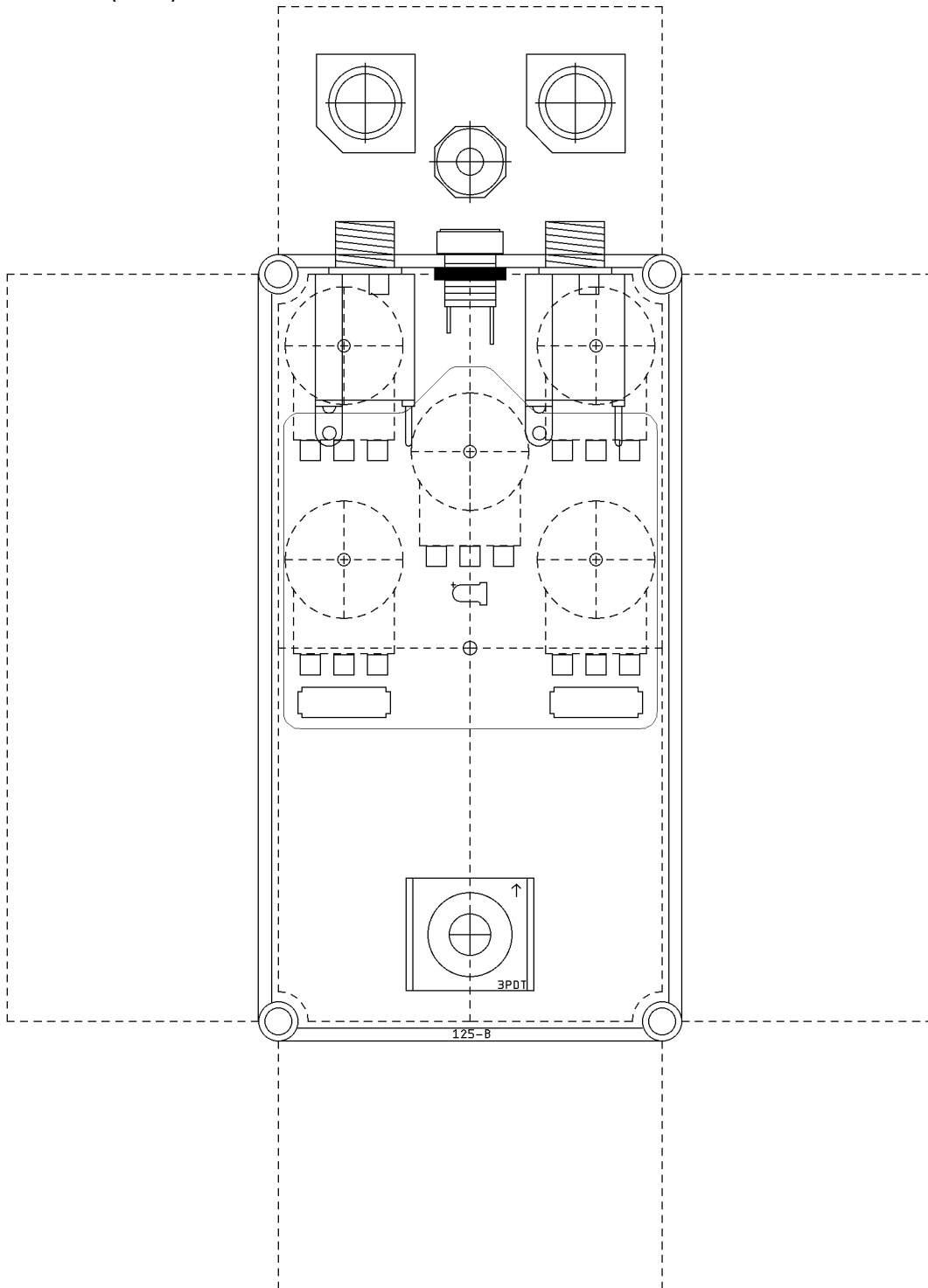
Value	Type (suggested)	Quantity
100Ω	¼ watt metal or carbon film	1
1k	¼ watt metal or carbon film	1
3.3k	¼ watt metal or carbon film	1
4.7k	¼ watt metal or carbon film	3
10k	¼ watt metal or carbon film	1
22k	¼ watt metal or carbon film	2
27k	¼ watt metal or carbon film	1
100k	¼ watt metal or carbon film	4
1M	¼ watt metal or carbon film	2
330p	Ceramic	3
1n	Film	1
1.5n	Film	1

2.2n	Film	2
10n	Film	1
68n	Film	2
100n	Film	3
150n	Film	1
1μ	Film	1
10μ	Electrolytic (25v+)	1
100μ	Electrolytic (25v+)	2
1N4148	Silicon switching diode	1
1N5817	Schottky rectifier diode	1
3mm red LED	LED	2
BS170	MOSFET	2
LED	3 or 5mm	1
MAX1044	Voltage converter	1
TL072	Dual opamp	1
A1M	16mm right angle PC mount	4
C100k	16mm right angle PC mount	1
SPDT on/on	Toggle switch	1
SPDT on/off/on	Toggle switch	1

LAYOUT



DRILL TEMPLATE (125B)



EFFECTS LAYOUTS © 2021
For DIY and small commercial applications.
Not for non-peer to peer resale.