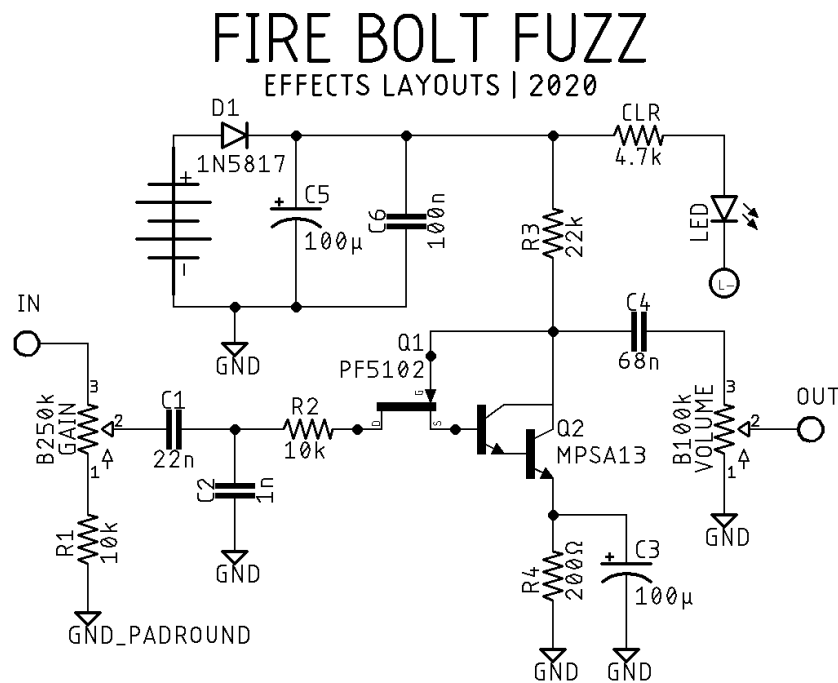


FIRE BOLT FUZZ

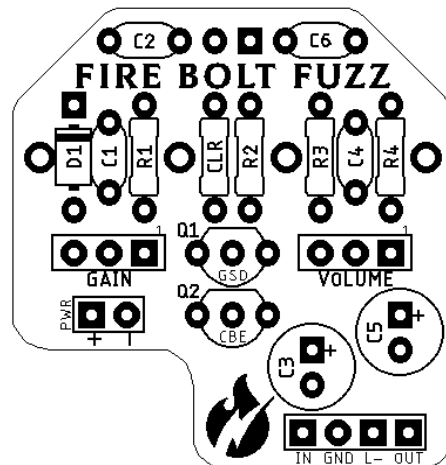
DESCRIPTION

The FIRE BOLT is a simple but unique dirt box, based on the Earthquaker Devices Bellows. It's similar to the DIY classic Bazz Fuss, but with a JFET acting as a diode between collector and base of the BJT. The Gain pot acts like the volume pot on a guitar, cleaning up the signal as it's rolled back and gives a good range of dirt and fuzz tones. Designed to fit in a 1590A.

SCHEMATIC



LAYOUT



BOM

Resistors

R1	10k
R2	10k
R3	22k
R4	200Ω
CLR	4.7k

Capacitors

C1	22n
C2	1n
C3	100μ
C4	68n
C5	100μ
C6	100n

Semiconductors

D1	1N5817
LED	3 or 5mm LED
Q1	PF5102
Q2	MPSA13

Electromechanical

Gain	B250k
Volume	B100k

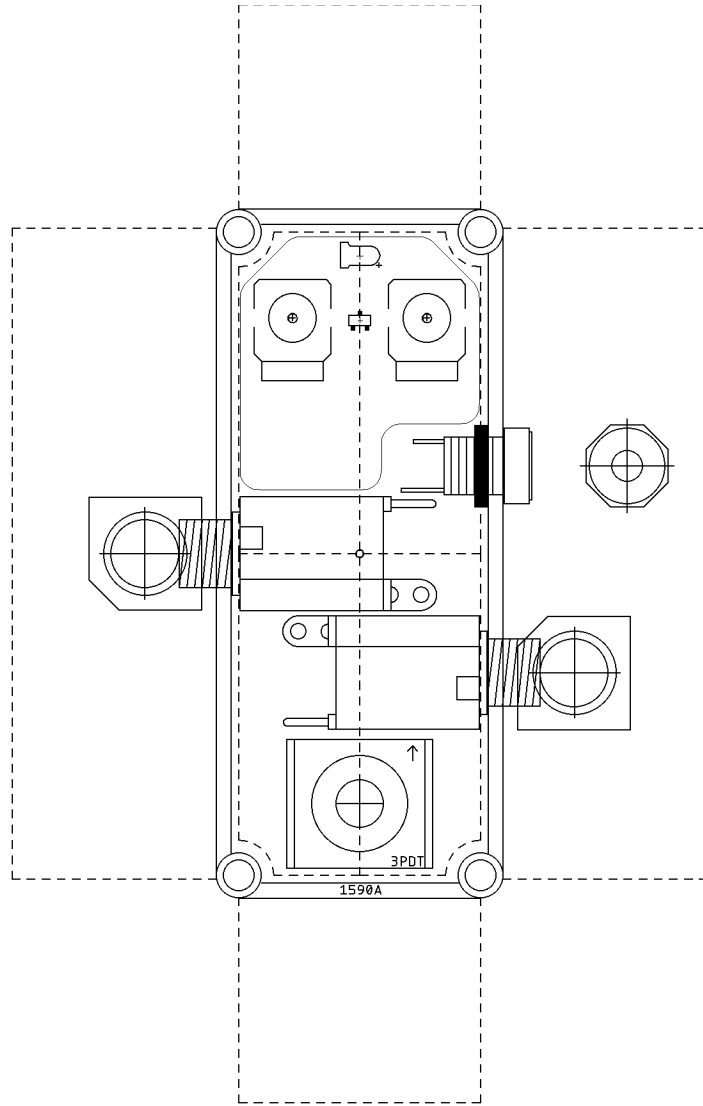
Notes

On the back of the board are SMD pads for Q1 if an in spec through hole JFET can't be sourced. Alternatives to the PF5102 are the J201, 2N5457, etc.

SHOPPING LIST

Value	Type (suggested)	Quantity
200Ω	¼ watt metal or carbon film	1
4.7k	¼ watt metal or carbon film	1
10k	¼ watt metal or carbon film	2
22k	¼ watt metal or carbon film	1
1n	Film	1
22n	Film	1
68n	Film	1
100n	Film or ceramic	1
100μ	Electrolytic (25v+)	2
1N5817	Schottky rectifier diode	1
LED	3 or 5mm	1
PF5102	JFET	1
MPSA13	Darlington BJT	1
B100k	9mm board mounted potentiometer	1
B250k	9mm board mounted potentiometer	1

DRILLING TEMPLATE



EFFECTS LAYOUTS © 2020
For DIY and small commercial applications.
Not for non-peer to peer resale.