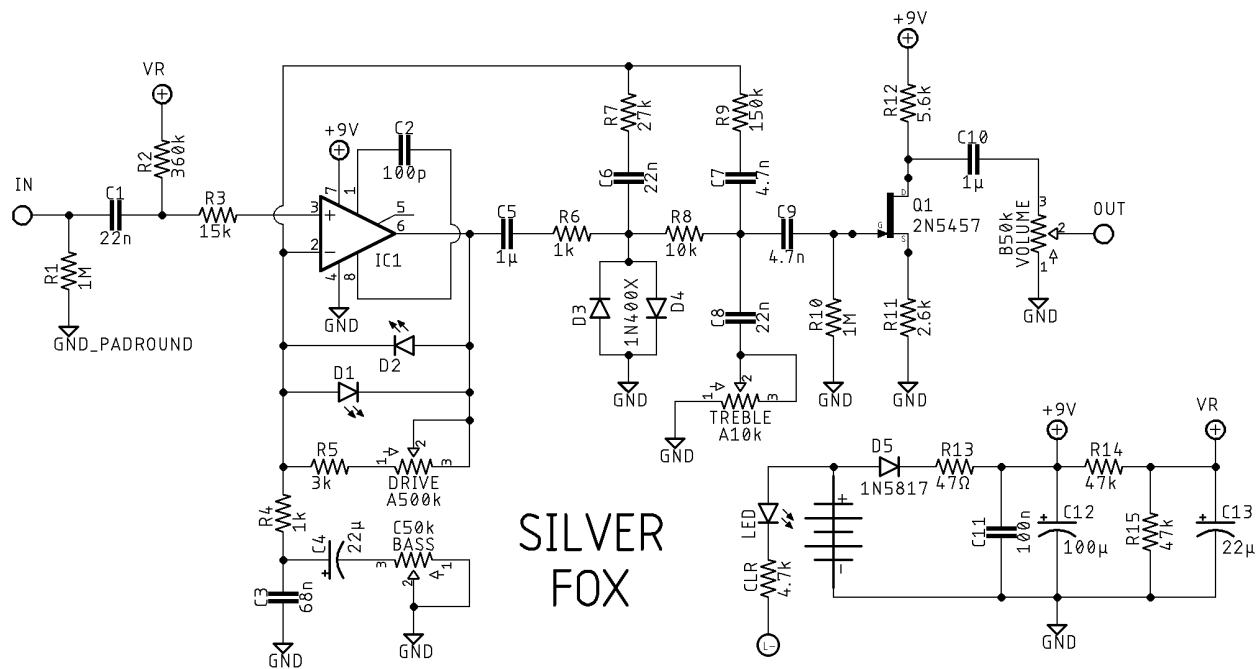


SILVER FOX

DESCRIPTION

The SILVER FOX is a low to mid gain transparent overdrive with the sparkle and crisp tones of Silverface/Silvertone amps of the 60s. It's great for pushing other dirt pedals or just your amp to add a bit of extra gain and high-end shimmer. It's based on the BJE Silver Bee and follows similar circuit topology as many other Bjorn's designs.

SCHEMATIC



BOM

Resistors

R1	1M
R2	360k
R3	15k
R4	1k
R5	3k
R6	1k
R7	27k
R8	10k
R9	150k
R10	1M
R11	2.6k

R12	5.6k
R13	47Ω
R14	47k
R15	47k
CLR	4.7k

Capacitors

C1	22n
C2	100p
C3	68n
C4	22μ
C5	1μ

C6	22n
C7	4.7n
C8	22n
C9	4.7n
C10	1μ
C11	100n
C12	100μ
C13	22μ

Semiconductors

D1	3mm red LED
D2	3mm red LED
D3	1N400x
D4	1N400x
D5	1N5817
IC1	CA3130EZ
LED	3 or 5mm LED

Q1	2N5457 or MMBF5457
----	--------------------

Electromechanical

Bass	C50k
Drive	A500k
Treble	A10k
Volume	B50k

Notes

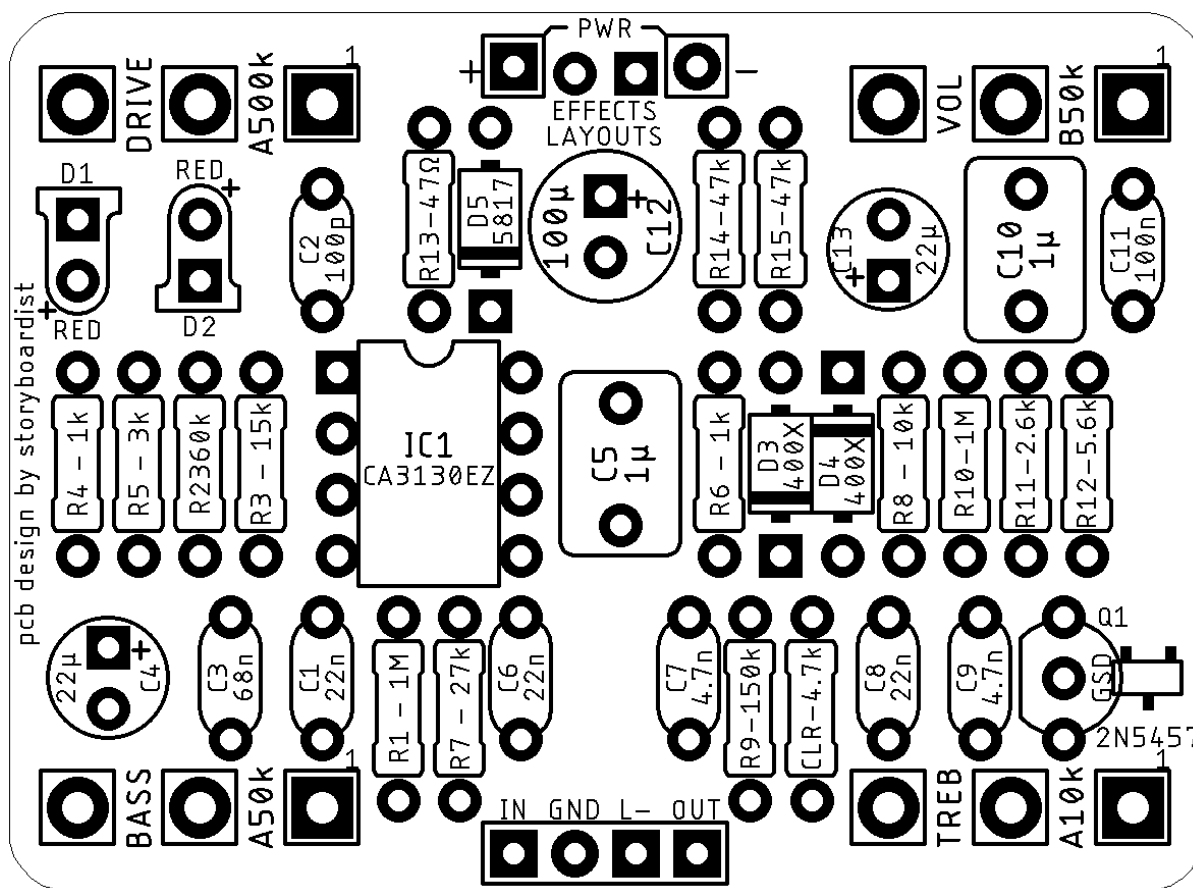
There's an error on the silkscreen for the value of the bass pot. It says A50k, but a C50k should be used (or a B50k if you can't find a C). Any of the 1N400x series of rectifier diodes can be used (1N4001, 4004, 4007, etc). SMD pads are provided along with through hole pads for Q1. There is no need to populate both.

SHOPPING LIST

Value	Type (suggested)	Quantity
47Ω	¼ watt metal or carbon film	1
1k	¼ watt metal or carbon film	2
2.6k	¼ watt metal or carbon film	1
3k	¼ watt metal or carbon film	1
4.7k	¼ watt metal or carbon film	1
5.6k	¼ watt metal or carbon film	1
10k	¼ watt metal or carbon film	1
15k	¼ watt metal or carbon film	1
27k	¼ watt metal or carbon film	1
47k	¼ watt metal or carbon film	2
150k	¼ watt metal or carbon film	1
360k	¼ watt metal or carbon film	1
1M	¼ watt metal or carbon film	2
100p	Ceramic	1
4.7n	Film	2
22n	Film	3
68n	Film	1
100n	Ceramic or film	1
1μ	Film	2
22μ	Electrolytic (35v+)	2
100μ	Electrolytic (35v+)	1
1N400x	Rectifier diode	2
1N5817	Schottky rectifier diode	1
3mm red LED		2
2N5457 or MMBF5457	JFET	1

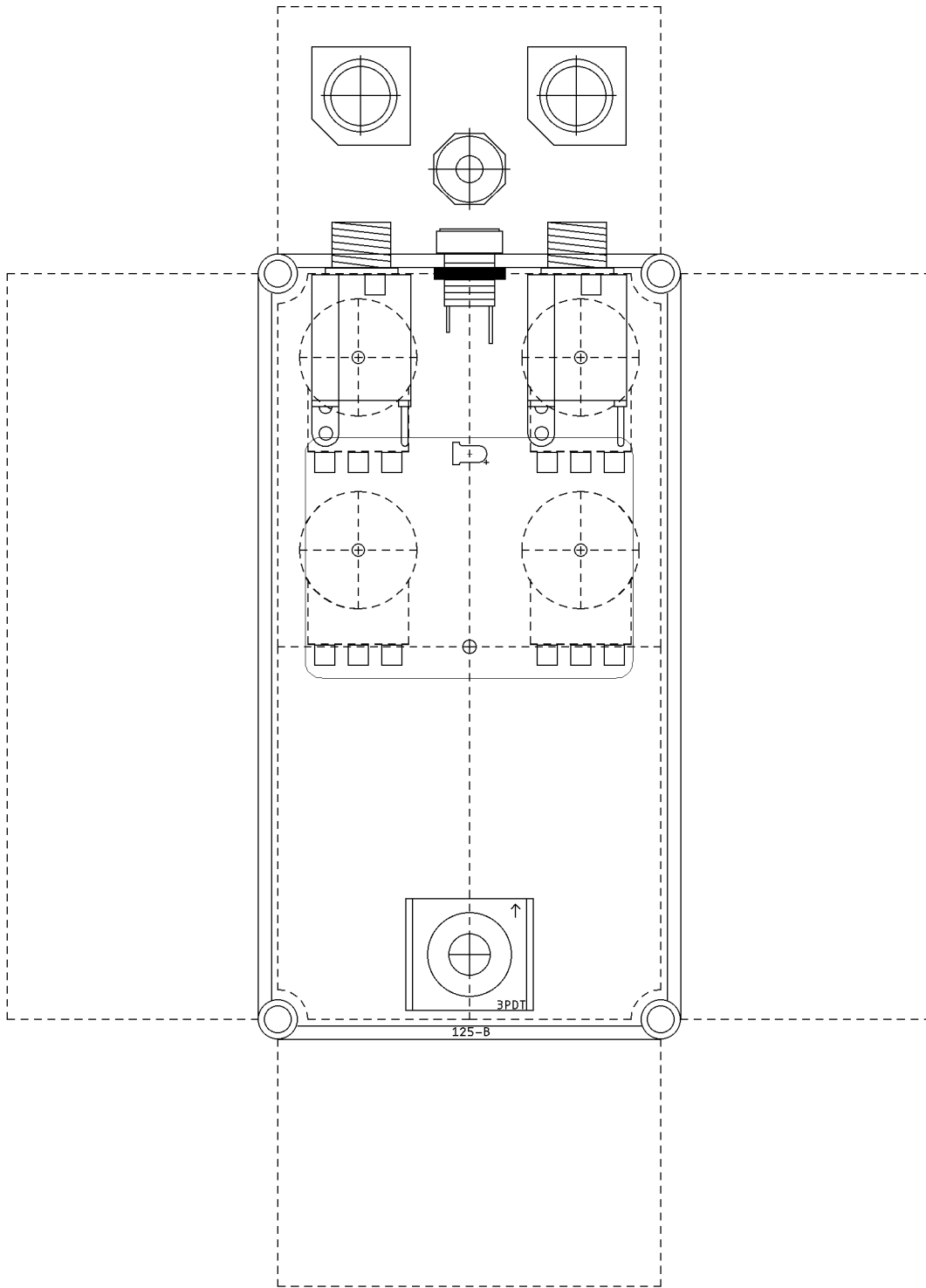
3-5mm LED		1
CA3130EZ	Single op-amp	1
A10k	16mm right angle PC mount	1
A500k	16mm right angle PC mount	1
B50k	16mm right angle PC mount	1
C50k	16mm right angle PC mount	1

LAYOUT

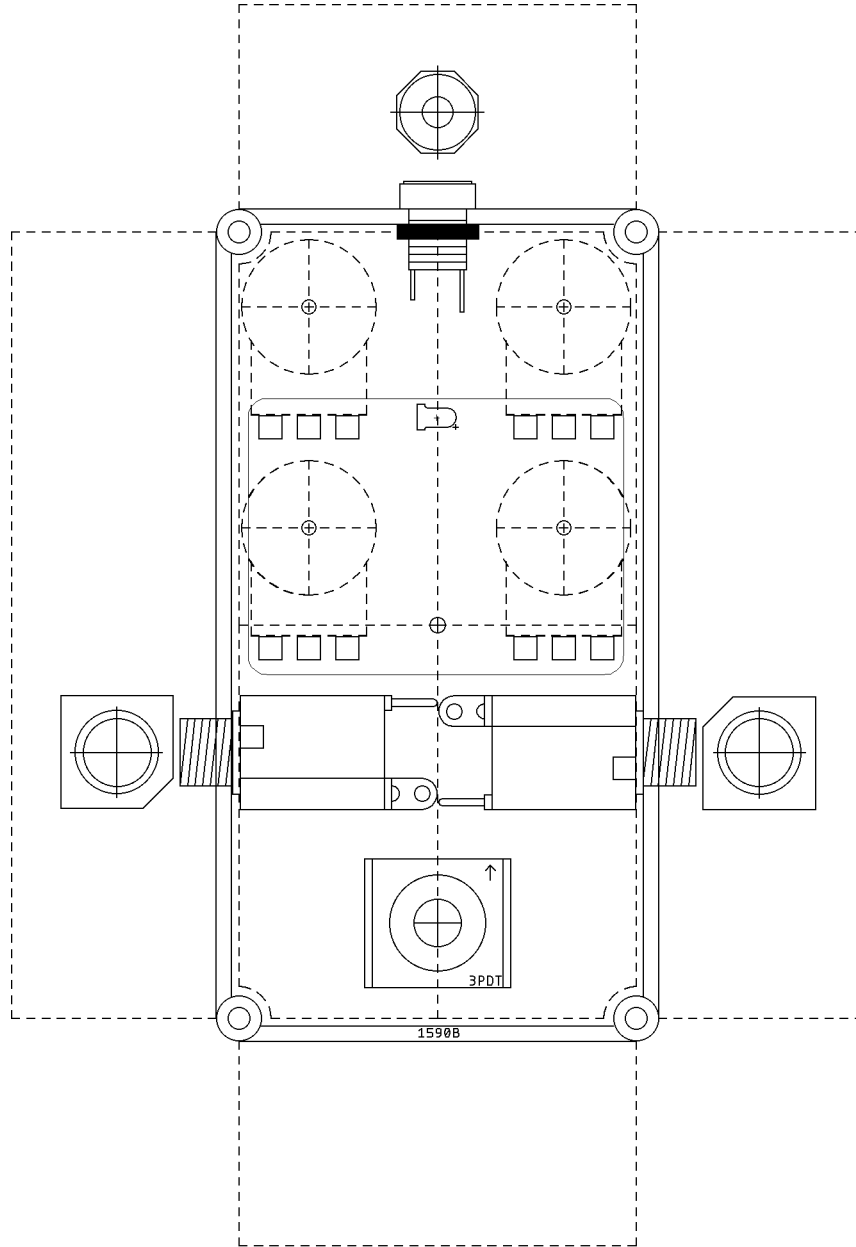


Note the error of the bass pot value. Should be C50k.

DRILL TEMPLATE (125B)



DRILL TEMPLATE (1590B)



EFFECTS LAYOUTS © 2020
For DIY and small commercial applications.
Not for non-peer to peer resale.