

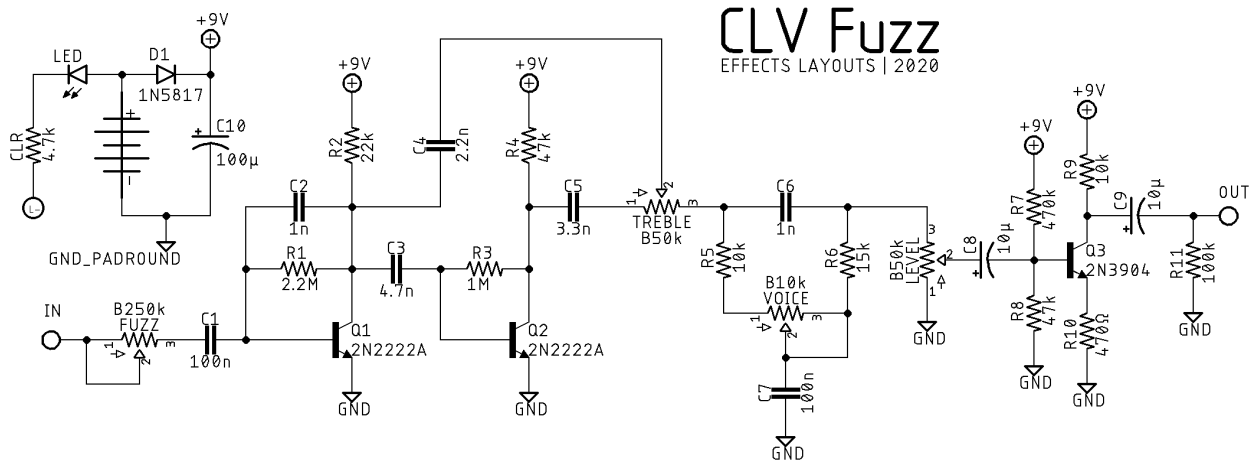


CLV

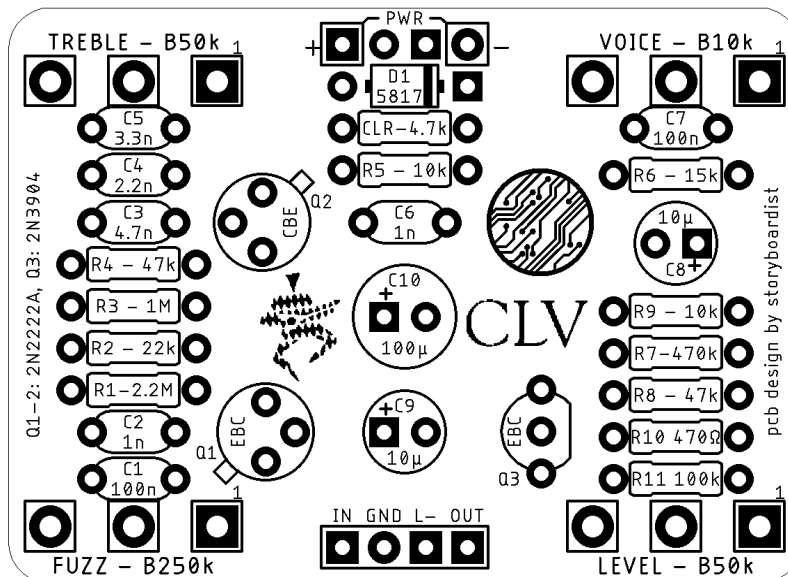
DESCRIPTION

The CLV is a highly modified Shin-Ei Companion Fuzz, based on the Earthquaker Devices Terminal Fuzz. It features a pot at input, regulating the amount of signal being fed to the circuit, a controllable tone stack (that's otherwise fixed in the classic Companion circuit), and an output gain stage after the volume control to get the fuzz above unity volume.

SCHEMATIC



LAYOUT



BOM

Resistors

R1	2.2M
R2	22k
R3	1M
R4	47k
R5	10k
R6	15k
R7	470k
R8	47k
R9	10k
R10	470Ω
R11	100k
CLR	4.7k

C5	3.3n
C6	1n
C7	100n
C8	10μ
C9	10μ
C10	100μ

Semiconductors

D1	1N5817
LED	3 or 5mm
Q1	2N2222A
Q2	2N2222A
Q3	2N3904

Capacitors

C1	100n
C2	1n
C3	4.7n
C4	2.2n

Electromechanical

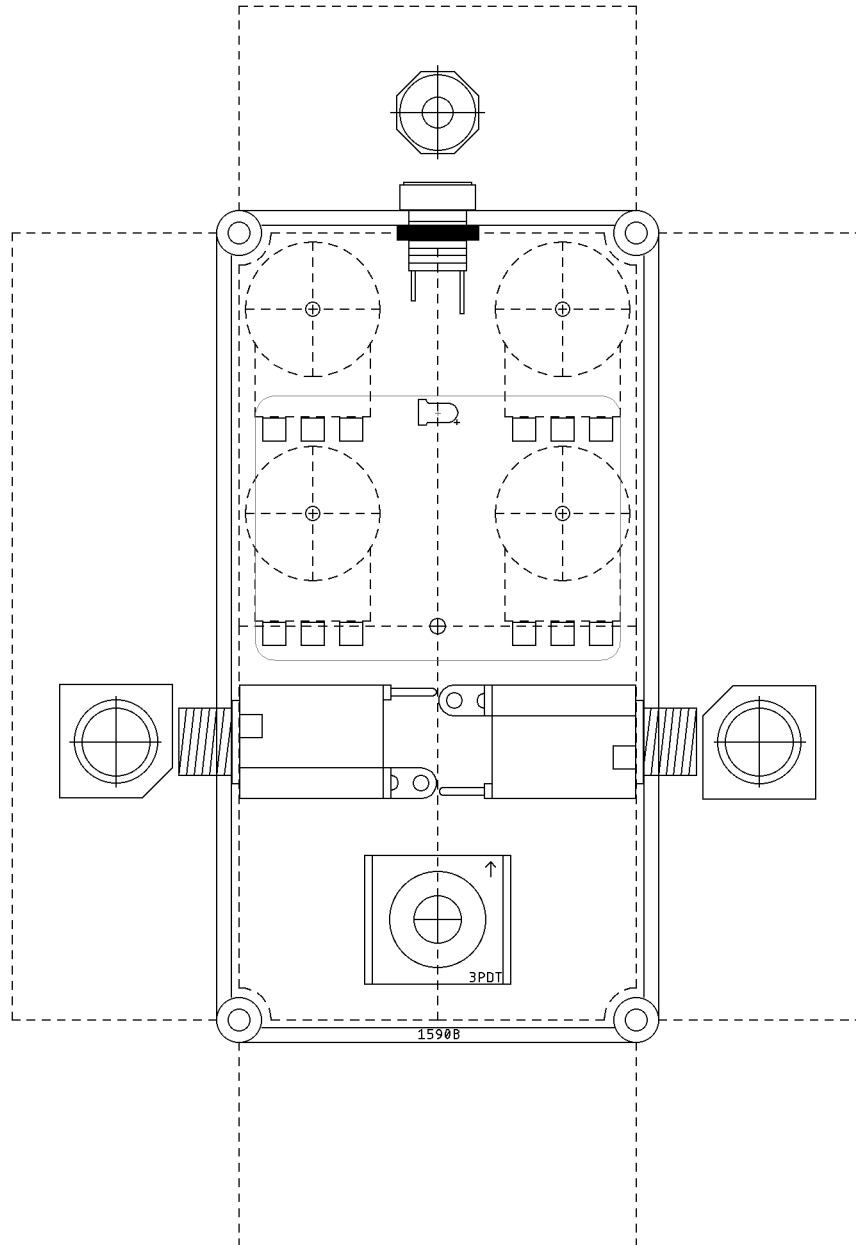
Fuzz	B250k
Level	B50k
Treble	B50k
Voice	B10k

SHOPPING LIST

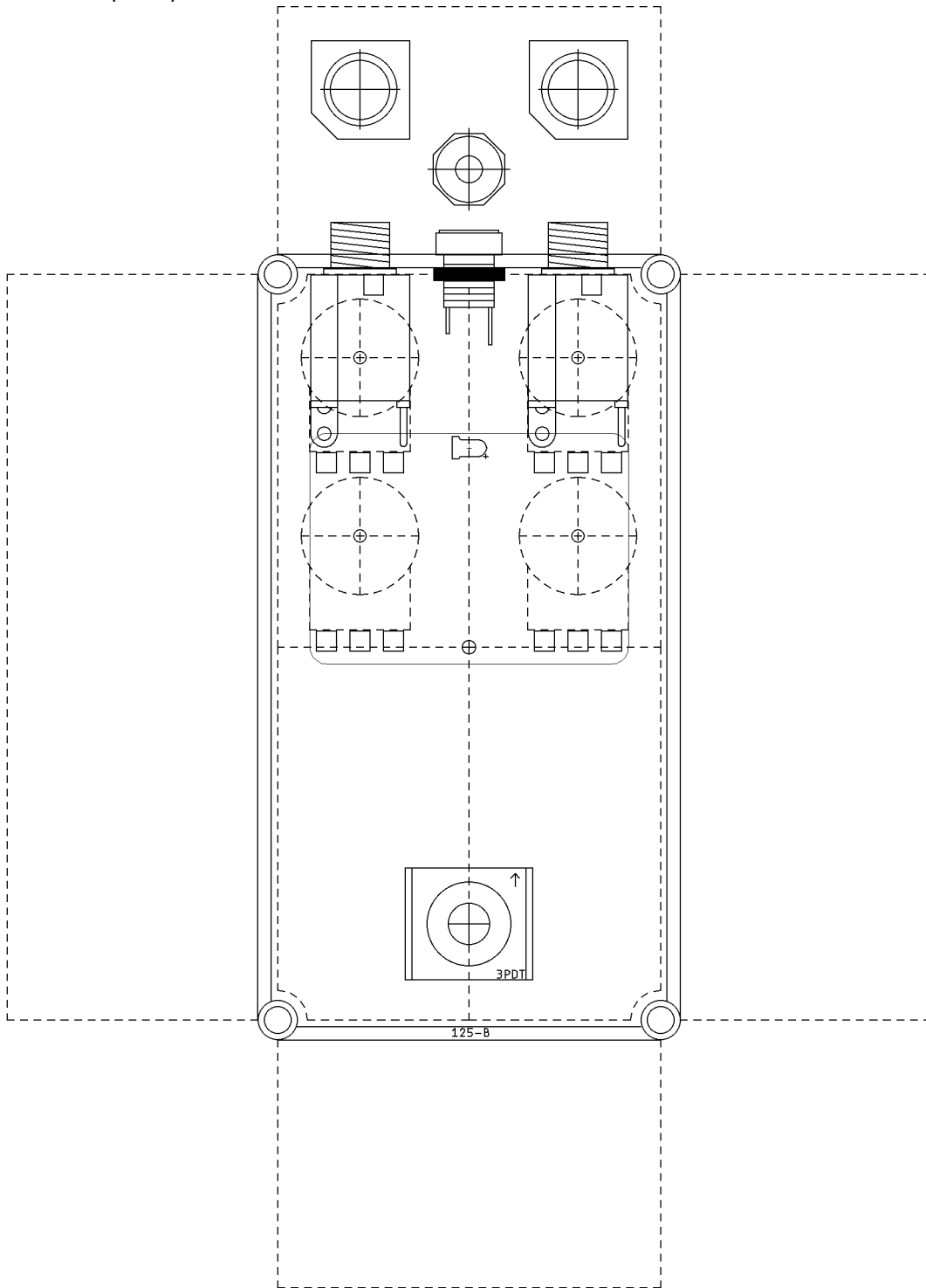
Value	Type (suggested)	Quantity
470Ω	¼ watt metal or carbon film	1
4.7k	¼ watt metal or carbon film	1
10k	¼ watt metal or carbon film	2
15k	¼ watt metal or carbon film	1
22k	¼ watt metal or carbon film	1
47k	¼ watt metal or carbon film	2
100k	¼ watt metal or carbon film	1
470k	¼ watt metal or carbon film	1
1M	¼ watt metal or carbon film	1
2.2M	¼ watt metal or carbon film	1
1n	Film	2
2.2n	Film	1
3.3n	Film	1
4.7n	Film	1
100n	Film	2
10μ	Electrolytic (35v+)	2
100μ	Electrolytic (35v+)	1
1N5817	Schottky rectifier diode	1
LED	3 or 5mm	1

2N2222A	BJT	2
2N3904	BJT	1
B10k	16mm right angle PC mount	1
B50k	16mm right angle PC mount	2
B250k	16mm right angle PC mount	1

DRILL TEMPLATE (1590B)



DRILL TEMPLATE (125B)



EFFECTS LAYOUTS © 2020
For DIY and small commercial applications.
Not for non-peer to peer resale.