

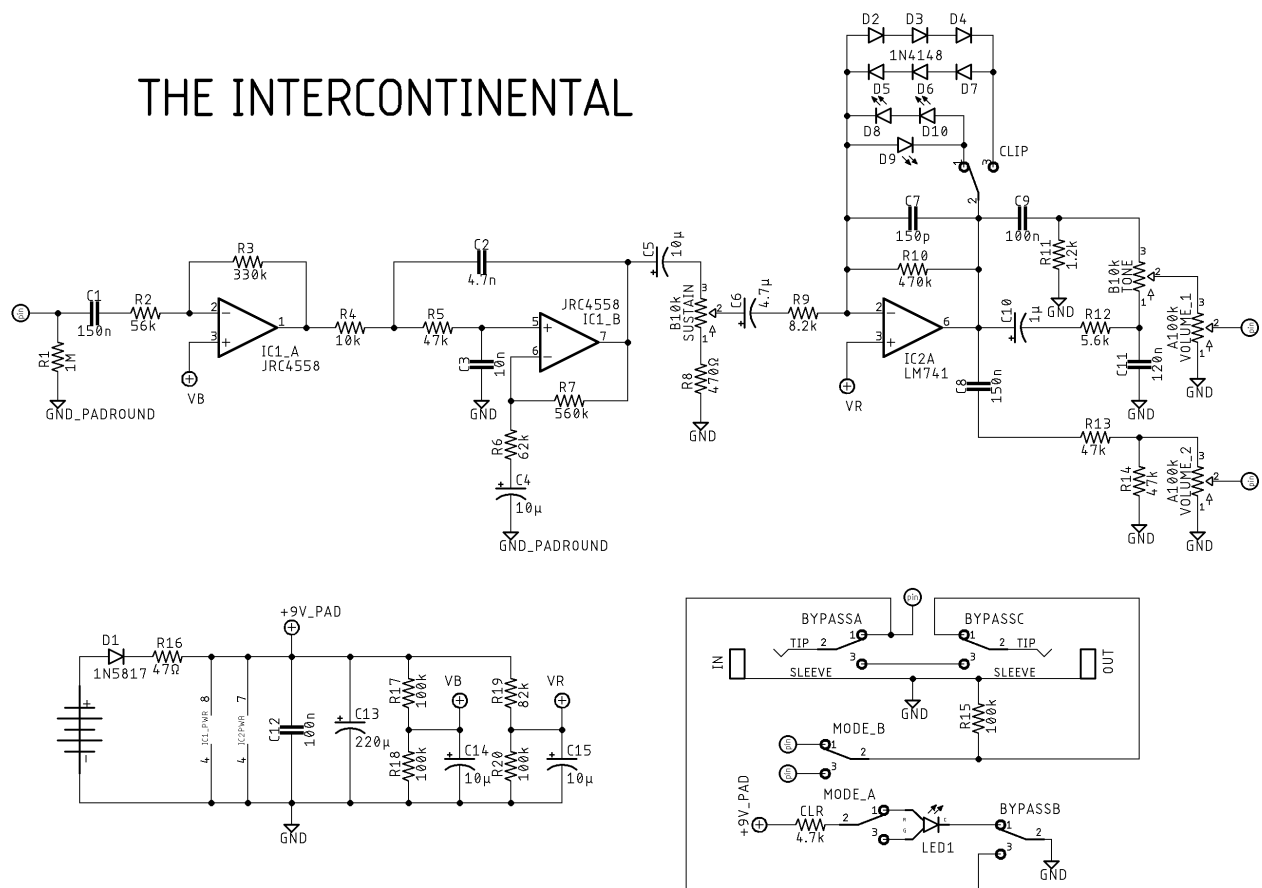


THE INTERCONTINENTAL

DESCRIPTION

In 1977, EHX introduced a completely new iteration of the classic Big Muff, based around two op amps. The following year a switch was added to bypass the tone stack. What THE INTERCONTINENTAL does is take the classic '78 Big Muff and adds a clipping switch (standard 6, silicon diodes or 3, LEDs) and a footswitch to bypass the tone stack. Paired with a separate volume pot for the tone bypass, this essentially gives the effect two channels of IC Big Muff goodness. You can build it into a 125B with either top or side mounted jacks.

SCHEMATIC



BOM

Resistors

R1	1M
R2	56k
R3	330k
R4	10k
R5	47k
R6	62k
R7	560k
R8	470Ω
R9	8.2k
R10	470k
R11	1.2k
R12	5.6k
R13	47k
R14	47k
R15	100k
R16	47Ω
R17	100k
R18	100k
R19	82k
R20	100k
CLR	4.7k

Capacitors

C1	150n
C2	4.7n
C3	10n
C4	10μ
C5	10μ
C6	4.7μ
C7	150p
C8	150n

C9	100n
C10	1μ
C11	120n
C12	100n
C13	220μ
C14	10μ
C15	10μ

Semiconductors

D1	1N5817
D2	1N4148
D3	1N4148
D4	1N4148
D5	1N4148
D6	1N4148
D7	1N4148
D8	3mm red LED
D9	3mm red LED
D10	3mm red LED
IC1	JRC4558
IC2	LM741
LED1	Bi-color common cathode

Electromechanical

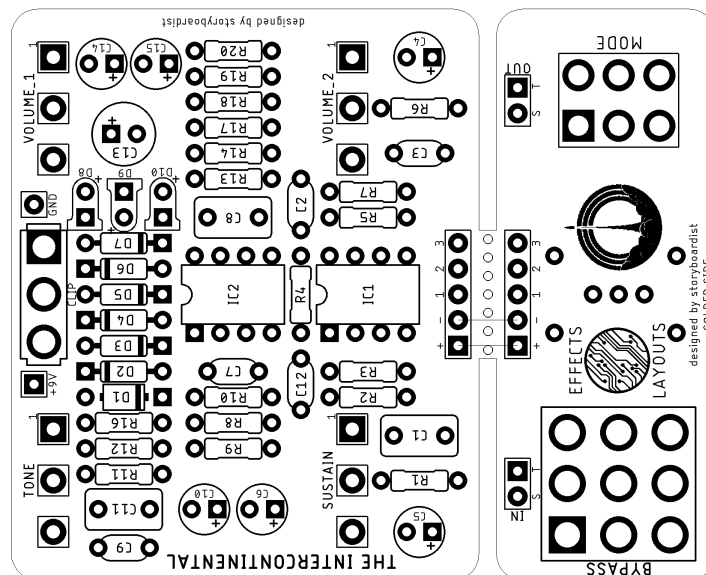
Bypass	3PDT footswitch
Clip	SPDT on/of/on
Mode	DPDT footswitch
Sustain	B10k
Tone	B10k
Volume 1	A100k
Volume 2	A100k

SHOPPING LIST

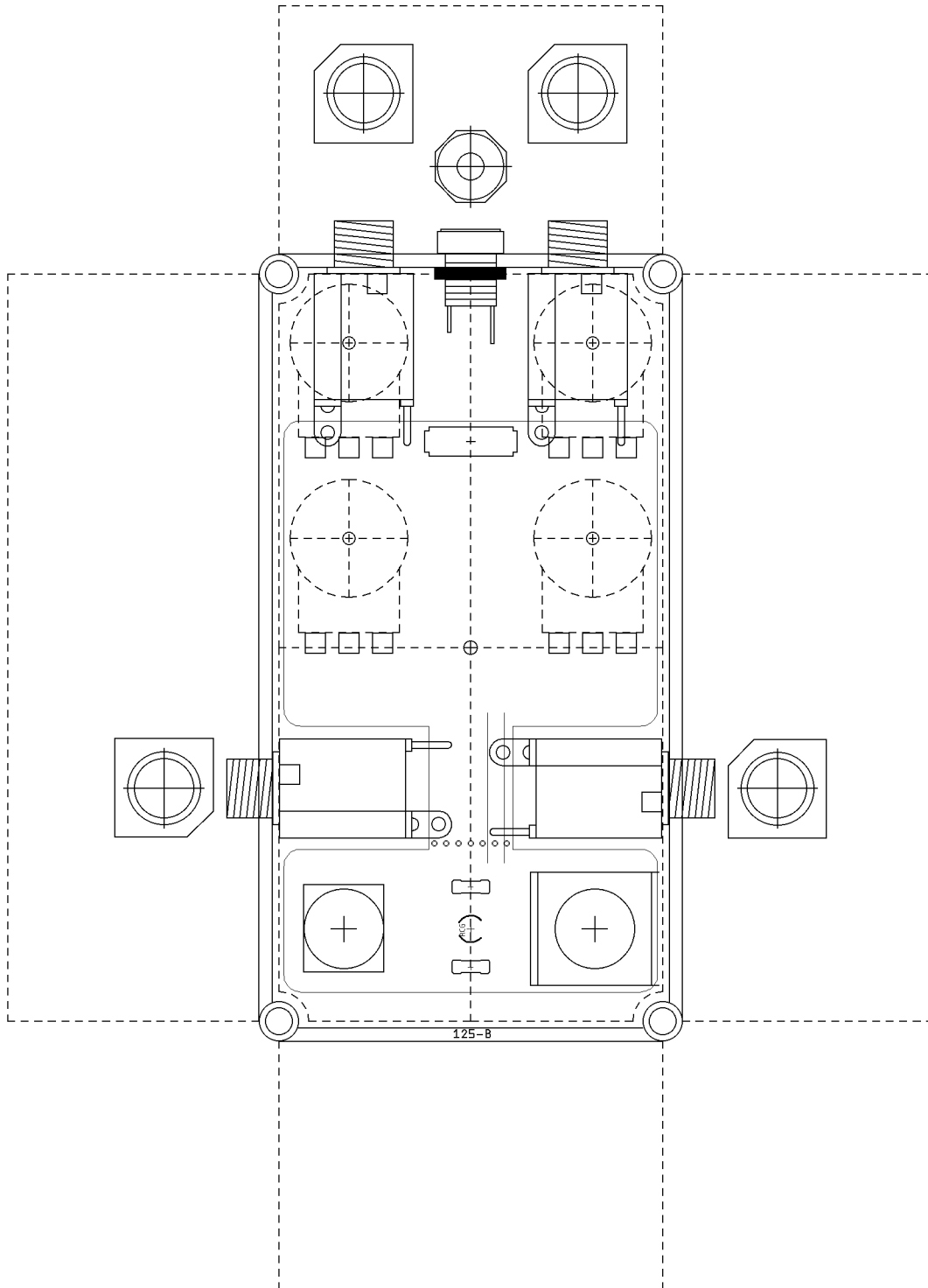
Value	Type (suggested)	Quantity
47Ω	¼ watt metal or carbon film	1
470Ω	¼ watt metal or carbon film	1
1.2k	¼ watt metal or carbon film	1
4.7k	¼ watt metal or carbon film	1
5.6k	¼ watt metal or carbon film	1
8.2k	¼ watt metal or carbon film	1
10k	¼ watt metal or carbon film	1
47k	¼ watt metal or carbon film	3
56k	¼ watt metal or carbon film	1

62k	¼ watt metal or carbon film	1
82k	¼ watt metal or carbon film	1
100k	¼ watt metal or carbon film	4
330k	¼ watt metal or carbon film	1
470k	¼ watt metal or carbon film	1
560k	¼ watt metal or carbon film	1
1M	¼ watt metal or carbon film	1
150p	Ceramic	1
4.7n	Film	1
10n	Film	1
100n	Film	2
120n	Film	1
150n	Film	2
1µ	Electrolytic (35v+)	1
4.7µ	Electrolytic (35v+)	1
10µ	Electrolytic (35v+)	4
220µ	Electrolytic (35v+)	1
1N4148	Silicon switching diode	6
1N5817	Schottky rectifier diode	1
3mm red LED		3
Bi-color LED	Common cathode, 3-5mm	1
JRC4558	Dual op-amp	1
LM741	Single op-amp	1
3PDT	Footswitch	1
DPDT	Footswitch	1
SPST	on/off/on toggle	1
A100k	16mm right angle PC mount	2
B10k	16mm right angle PC mount	2

LAYOUT



DRILL TEMPLATE (125B)



EFFECTS LAYOUTS © 2020
For DIY and small commercial applications.
Not for non-peer to peer resale.