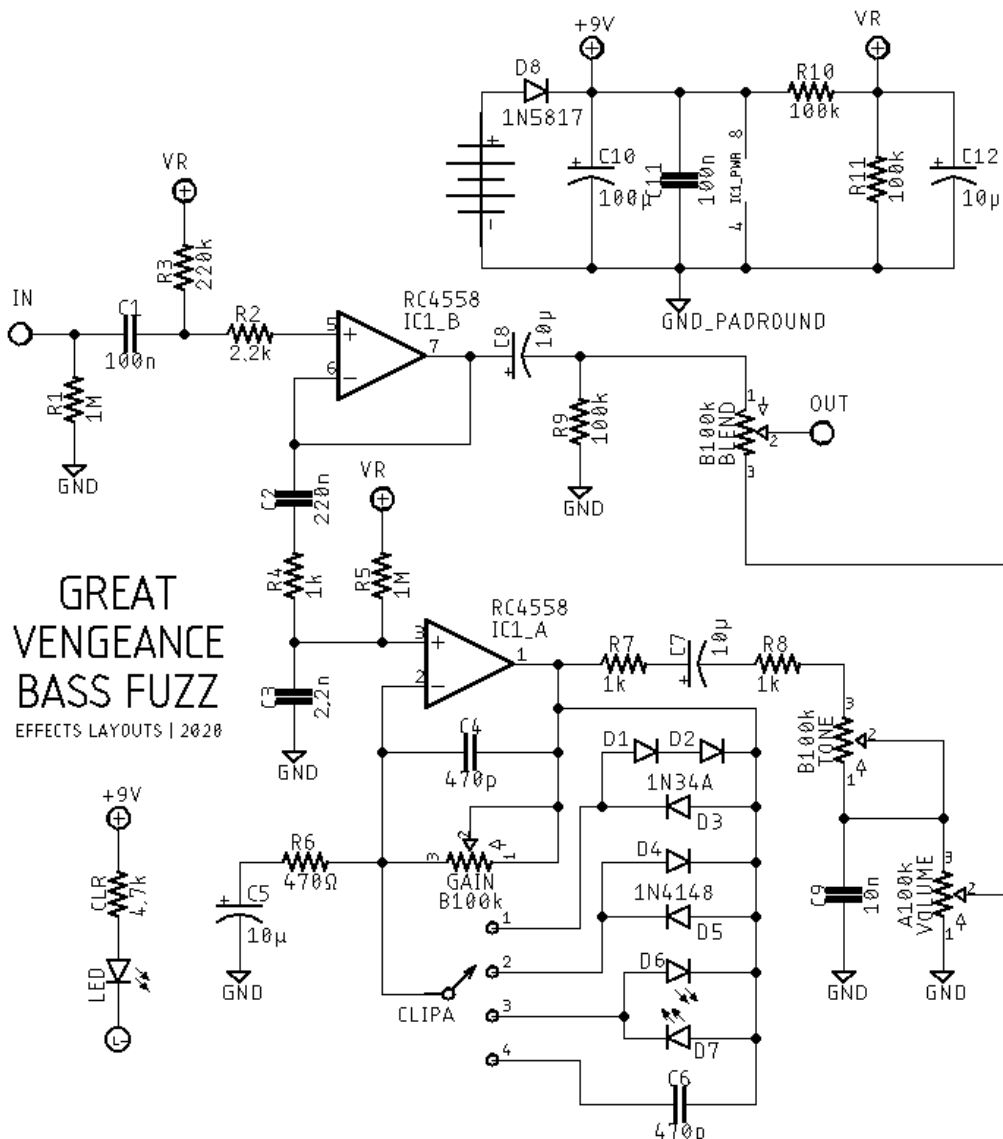


GREAT VENGEANCE

DESCRIPTION

The GREAT VENGEANCE is an excellent bass fuzz, with a multitude of clipping options and the ever-important clean blend. The tone control is simple but effective, and combined with the clean blend allows you to dial in the perfect bass fuzz-tone. Based on the D*A*M Ezekiel 25:17.

SCHEMATIC



BOM

Resistors

R1	1M
R2	2.2k
R3	220k
R4	1k
R5	1M
R6	470Ω
R7	1k
R8	1k
R9	100k
R10	100k
R11	100k
CLR	4.7k

Capacitors

C1	100n
C2	220n
C3	2.2n
C4	470p
C5	10μ
C6	470p
C7	10μ
C8	10μ

C9	10n
C10	100μ
C11	100n
C12	10μ

Semiconductors

D1	1N34A
D2	1N34A
D3	1N34A
D4	1N4148
D5	1N4148
D6	3mm red LED
D7	3mm red LED
D8	1N5817
IC1	RC4558
LED	3 or 5mm LED

Electromechanical

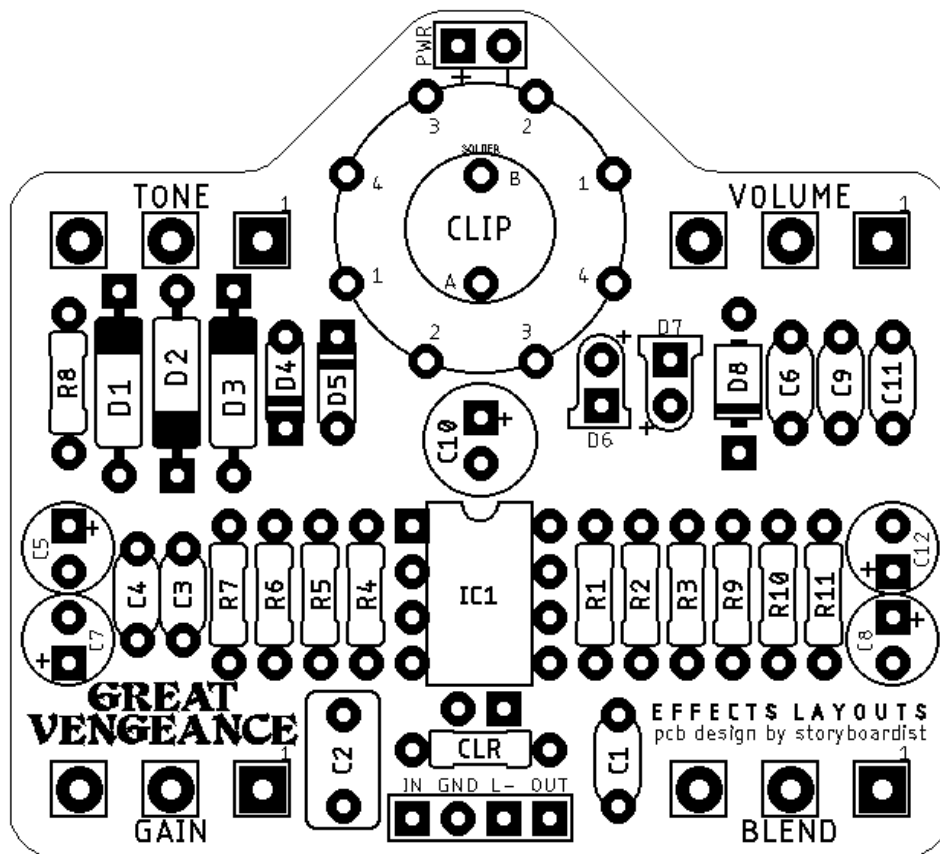
Blend	B100k
Clip	2P4T mini rotary
Gain	B100k
Tone	B100k
Volume	A100k

SHOPPING LIST

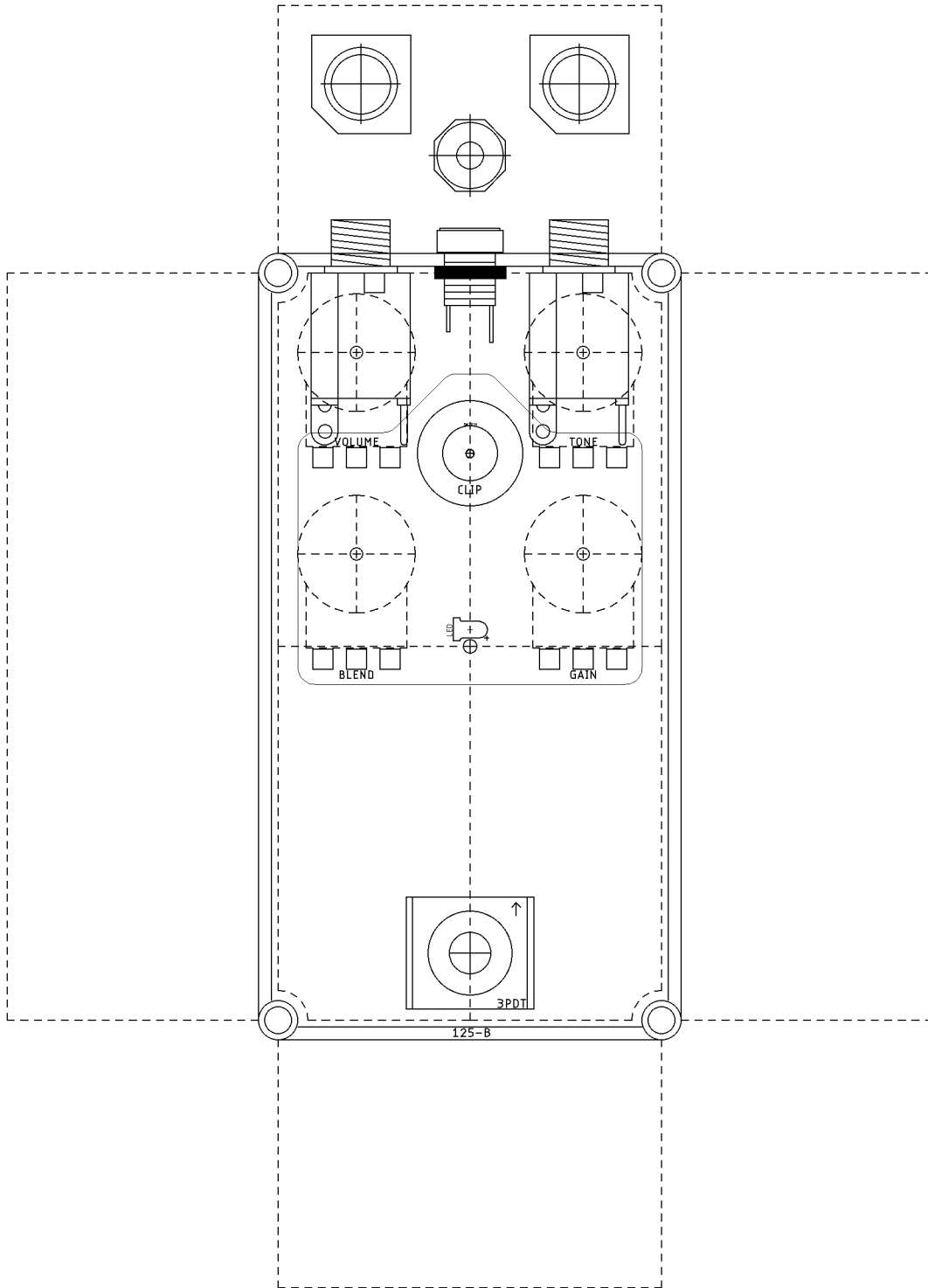
Value	Type (suggested)	Quantity
470Ω	¼ watt metal or carbon film	1
1k	¼ watt metal or carbon film	3
2.2k	¼ watt metal or carbon film	1
4.7k	¼ watt metal or carbon film	1
100k	¼ watt metal or carbon film	3
220k	¼ watt metal or carbon film	1
1M	¼ watt metal or carbon film	2
470p	Ceramic	2
2.2n	Film	1
10n	Film	1
100n	Film	2
220n	Film	1
10μ	Electrolytic (35v+)	4
100μ	Electrolytic (35v+)	1
3mm red LED	Diffused	2
1N34A	Germanium	3

1N4148	Silicon switching diode	2
1N5817	Schotky rectifier diode	1
RC4558	Dual op-amp	1
LED	3 or 5mm	1
2P4T	Mini rotary PC mount	1
A100k	16mm right angle PC mount	1
B100k	16mm right angle PC mount	3

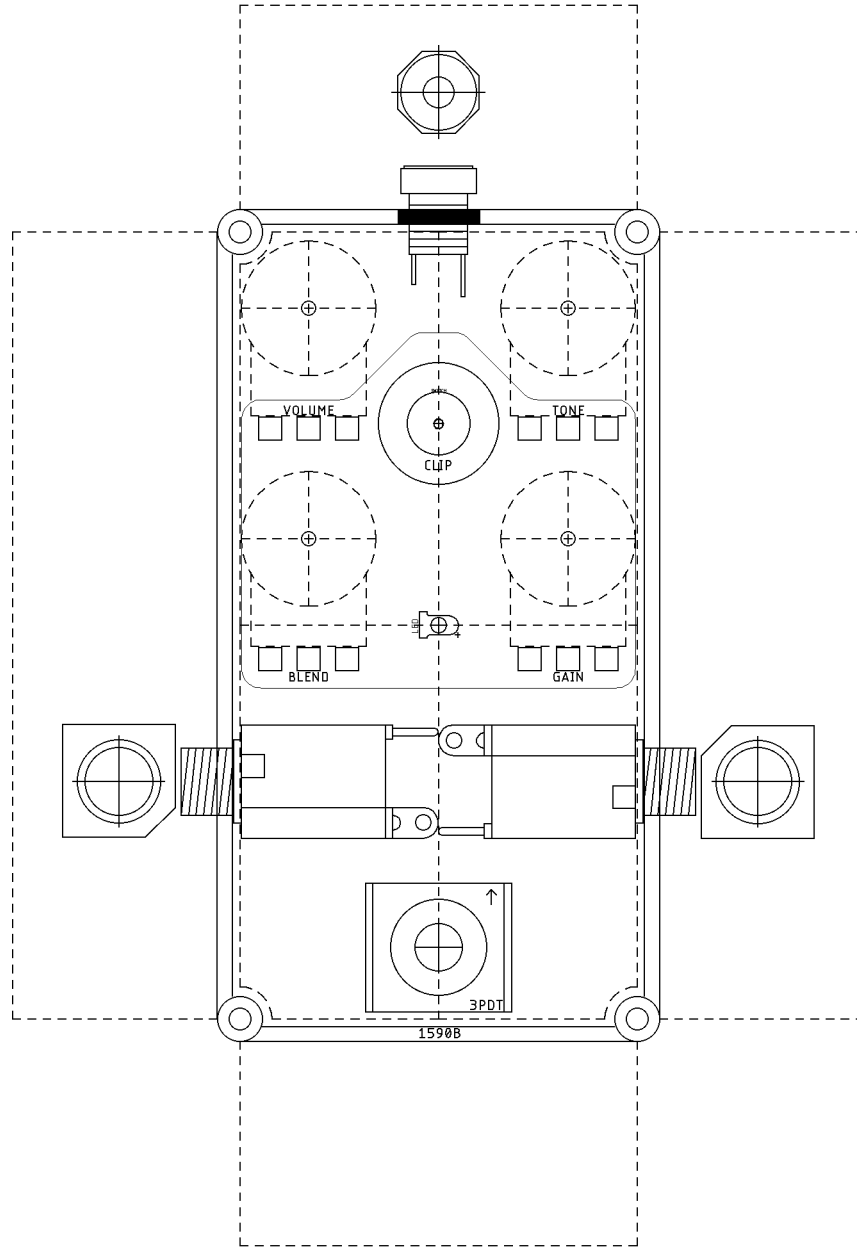
LAYOUT



DRILL TEMPLATE (125B)



DRILL TEMPLATE (1590B)



EFFECTS LAYOUTS © 2020
For DIY and small commercial applications.
Not for non-peer to peer resale.