

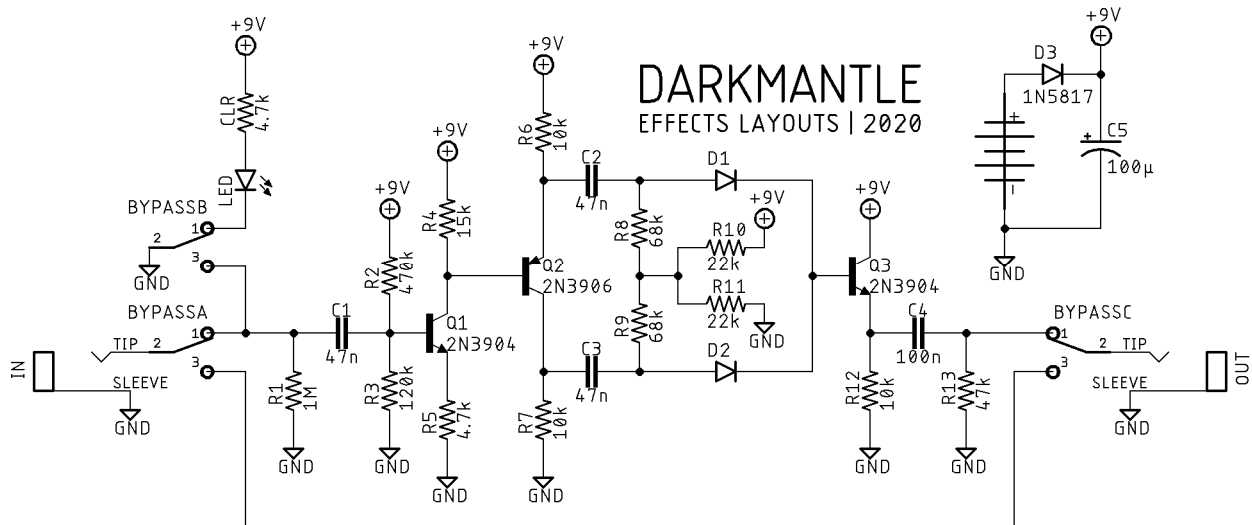
DARKMANTLE

OCTAVER

DESCRIPTION

Classic octave up tones with the DARKMANTLE. Based on the Dan Armstrong Green Ringer with a small footprint, the DARKMANTLE will fit in a 1590A or make a nice addition to a fuzz or other dirt box (works best before).

SCHEMATIC



BOM

Resistors

R1	1M
R2	470k
R3	120k
R4	15k
R5	4.7k
R6	10k
R7	10k
R8	68k
R9	68k
R10	22k
R11	22k
R12	10k
R13	47k
CLR	4.7k

Capacitors

C1	47n
C2	47n
C3	47n
C4	100n
C5	100µ

Semiconductors

D1	1N60P or 1N4148
D2	1N60P or 1N4148
D3	1N5817
Q1	2N3904
Q2	2N3906
Q3	2N3904

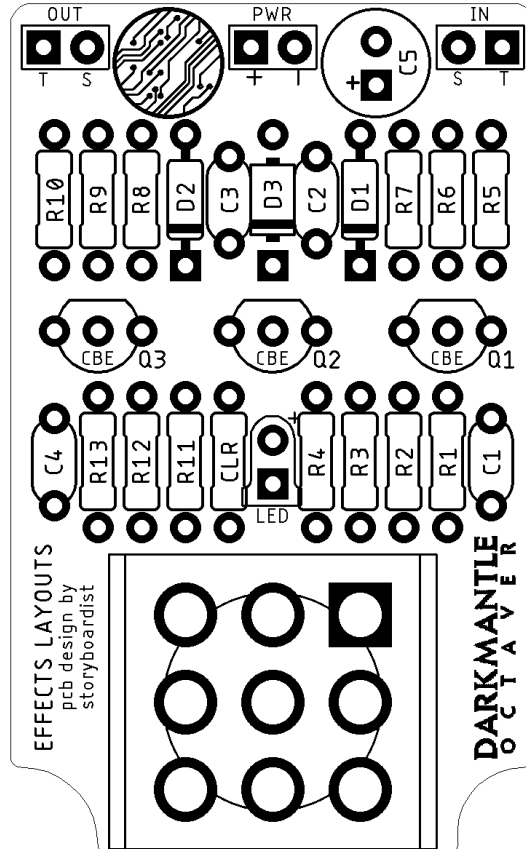
Electromechanical

Bypass	3PDT
--------	------

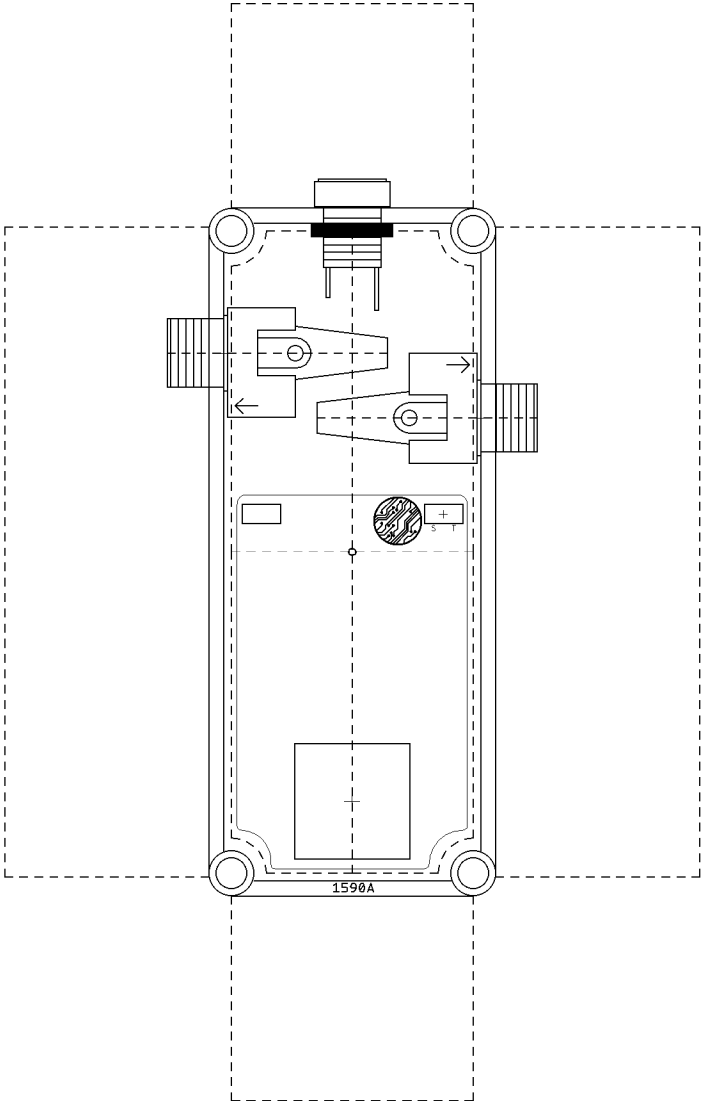
SHOPPING LIST

Part	Type (suggested)	Quantity
4.7k	¼ watt metal or carbon film	2
10k	¼ watt metal or carbon film	3
15k	¼ watt metal or carbon film	1
22k	¼ watt metal or carbon film	2
47k	¼ watt metal or carbon film	1
68k	¼ watt metal or carbon film	2
120k	¼ watt metal or carbon film	1
470k	¼ watt metal or carbon film	1
1M	¼ watt metal or carbon film	1
47n	Film	3
100n	Film	1
100μ	Electromechanical (35v+)	1
1N60P	Germanium Schottky diode	2
1N5817	Schottky rectifier diode	1
2N3904	NPN BJT	2
2N3906	PNP BJT	1
3PDT	Footswitch	1

LAYOUT



DRILL TEMPLATE (1590A)



EFFECTS LAYOUTS © 2020
For DIY and small commercial applications.
Not for non-peer to peer resale.