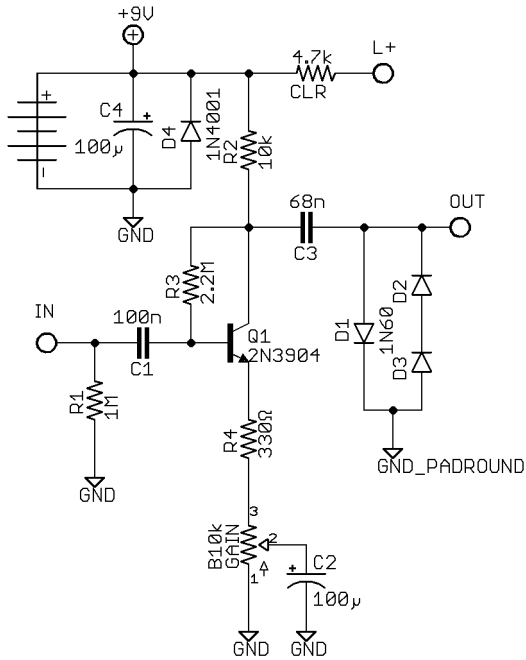
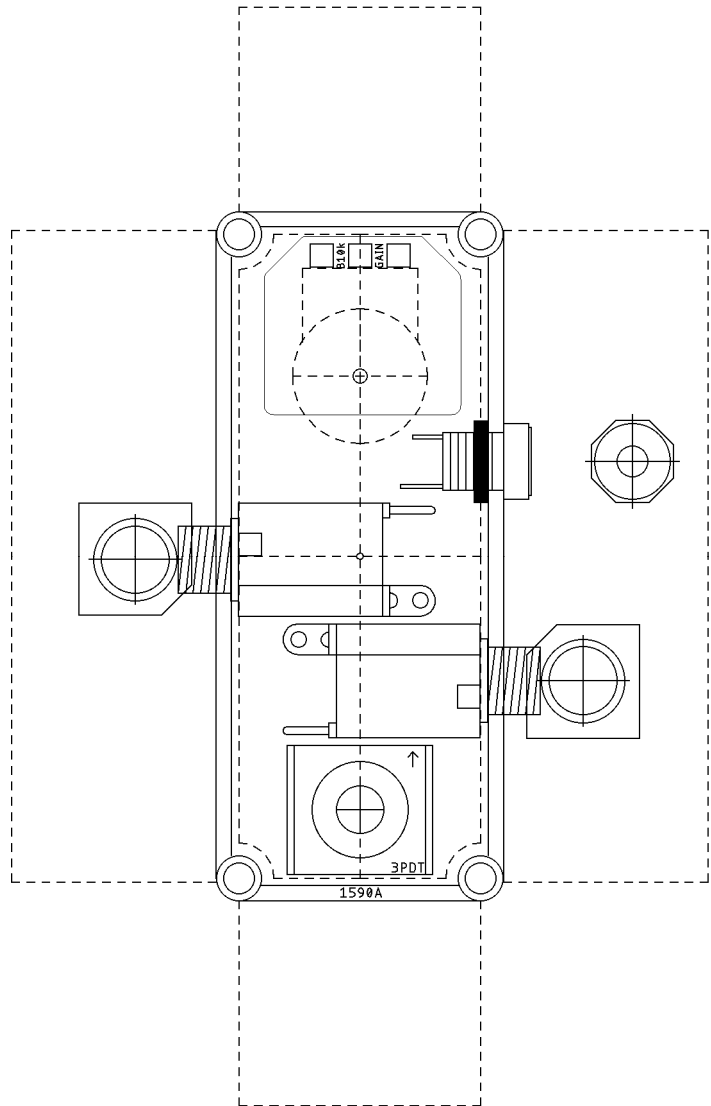


CRANKY SPEAKER

SCHEMATIC



DRILL TEMPLATE (1590A)



SHOPPING LIST

Part	Type (suggested)	Quantity
330Ω	¼ watt resistor	1
4.7k	¼ watt resistor	1
10k	¼ watt resistor	1
1M	¼ watt resistor	1
2.2M	¼ watt resistor	1
68n	Film capacitor	1
100n	Film capacitor	1
100μ	Electrolytic cap	2
1N4001	Rectifier diode	1
1N60P	Germanium diode	3
2N3904	NPN transistor	1
B10k	16mm pc mount pot	1



EFFECTS LAYOUTS © 2020
 For DIY and small commercial applications.
 Not for non-peer to peer resale.