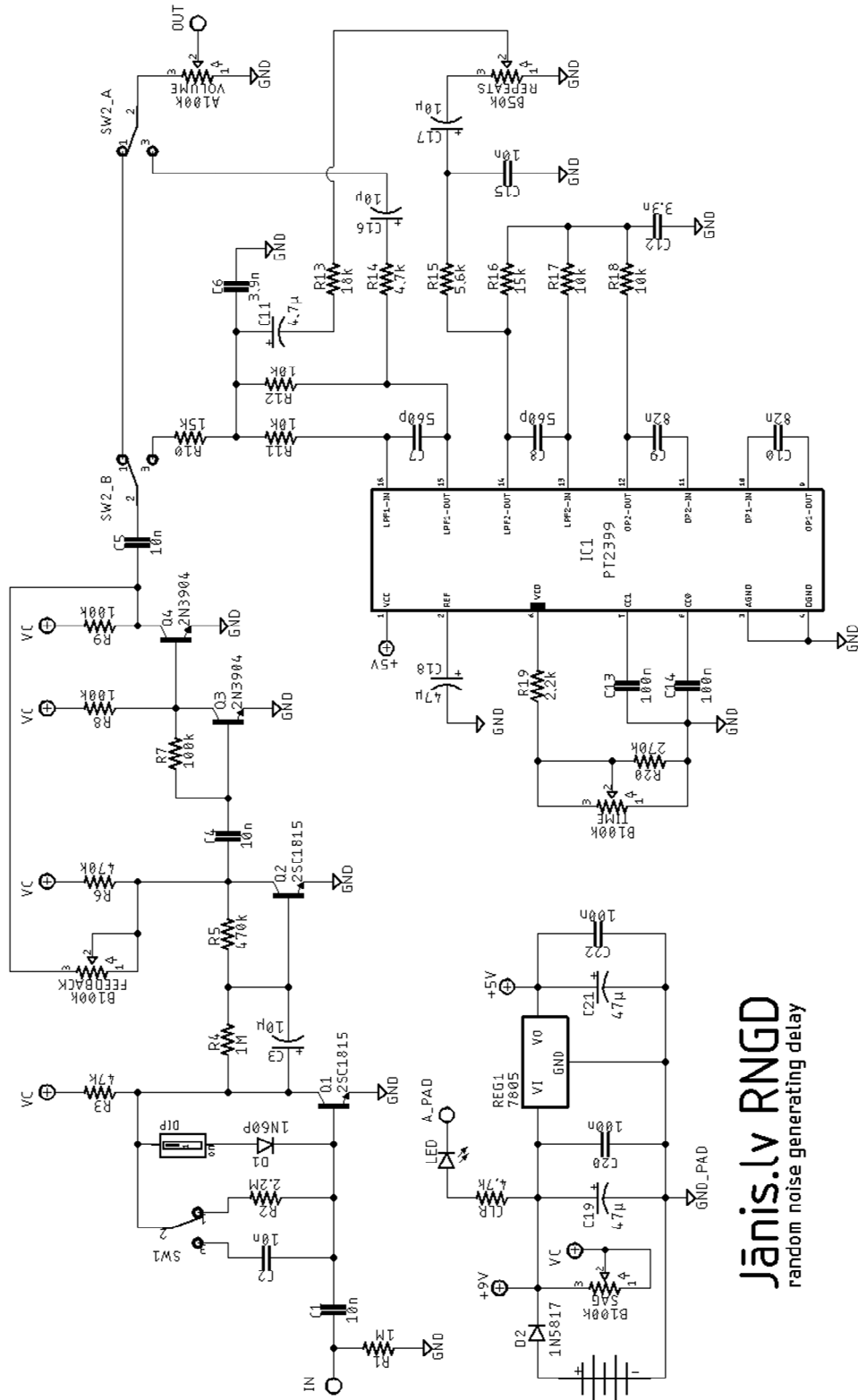


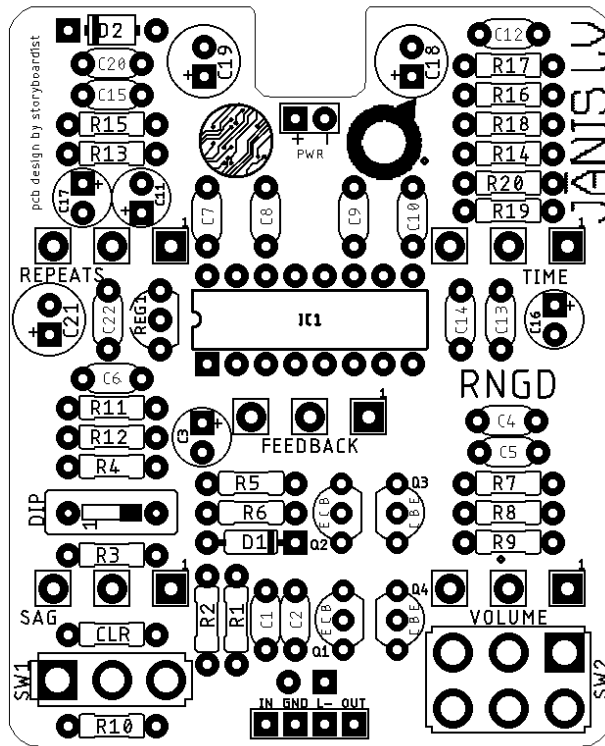
# RANDOM NOISE GENERATING DELAY

## SCHEMATIC



Jānis.lv RNGD  
random noise generating delay

## LAYOUT



## BOM

### RESISTORS

R1	1M
R2	2.2M
R3	47k
R4	1M
R5	470k
R6	470k
R7	100k
R8	100k
R9	100k
R10	15k
R11	10k
R12	10k
R13	18k
R14	4.7k
R15	5.6k
R16	15k
R17	10k
R18	10k
R19	2.2k
R20	270k
CLR	4.7k

### CAPACITORS

C1	10n
C2	10n
C3	10μ
C4	10n
C5	10n
C6	3.9n
C7	560p
C8	560p
C9	82n
C10	82n
C11	4.7μ
C12	3.3n
C13	100n
C14	100n
C15	10n
C16	10μ
C17	10μ
C18	47μ
C19	47μ
C20	100n
C21	47μ

C22 100n

### SEMICONDUCTORS

D1	1N60P
D2	1N5817
IC1	PT2399
LED	LED5MM
Q1	2SC1815
Q2	2SC1815
Q3	2N3904
Q4	2N3904
REG1	7805

### ELECTROMECHANICAL

DIP	1-position DIP
FEEDBACK	B100k
REPEATS	B50k
SAG	B100k
TIME	B100k
VOLUME	A100k
SW1	SPDT
SW2	DPDT

# DRILL TEMPLATE

