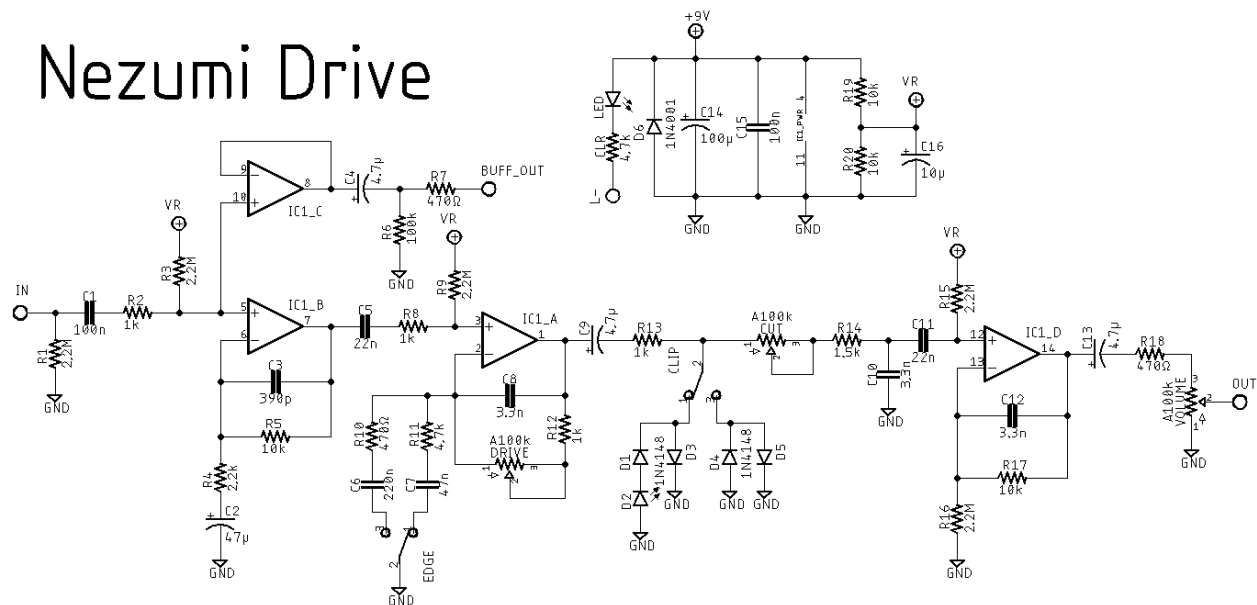


NEZUMI DRIVE

DESCRIPTION

Several people asked me to make a PCB of 1981 Inventions DRV pedal. I really like that circuit but wanted to put my own spin on it. I first tried to simplified things a little by removing the charge pump. To my ear it sounds more or less the same run at 9v as it does at 18v. (You can still run the circuit at 18v if you so desire) I also swapped out the two TL072s for a single TL074. This can be risky with dirt pedals as having that many opamps in one package can lead to unwanted noise issues, but it works just fine in this instance. I then added a couple to switches for more tonal control—the Clip switch to select between symmetrical, asymmetrical or no clipping at all, and the Edge switch to alter the bass response of the circuit. I did leave the optional buffer output for buffered bypass because I personally like having that option. So it's not a direct DRV clone, but much like the DRV, it's like a RAT but grown up and more refined.

SCHEMATIC



BILL OF MATERIALS

Resistors

R1	2.2M
R2	1k
R3	2.2M
R4	2.2k
R5	10k
R6	100k
R7	470Ω
R8	1k
R9	2.2M
R10	470Ω
R11	4.7k
R12	1k
R13	1k
R14	1.5k
R15	2.2M
R16	2.2M
R17	10k
R18	470Ω
R19	10k
R20	10k
CLR	4.7k

Capacitors

C1	100n
C2	47μ
C3	390p
C4	4.7μ
C5	22n
C6	220n
C7	47n
C8	3.3n
C9	4.7μ
C10	3.3n

C11	22n
C12	3.3n
C13	4.7μ
C14	100μ
C15	100n
C16	10μ

Semiconductors

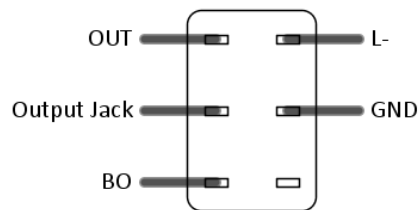
D1	1N4148
D2	3mm red LED
D3	1N4148
D4	1N4148
D5	1N4148
D6	1N4001
IC1	TL074
LED	3 or 5mm LED

Electromechanical

Clip	SPDT on/off/on
Cut	A100k
Drive	A100k
Edge	SPDT on/on
Volume	A100k

Notes:

To wire for buffered bypass, wire the IN pad to the input jack, and use a DPDT:

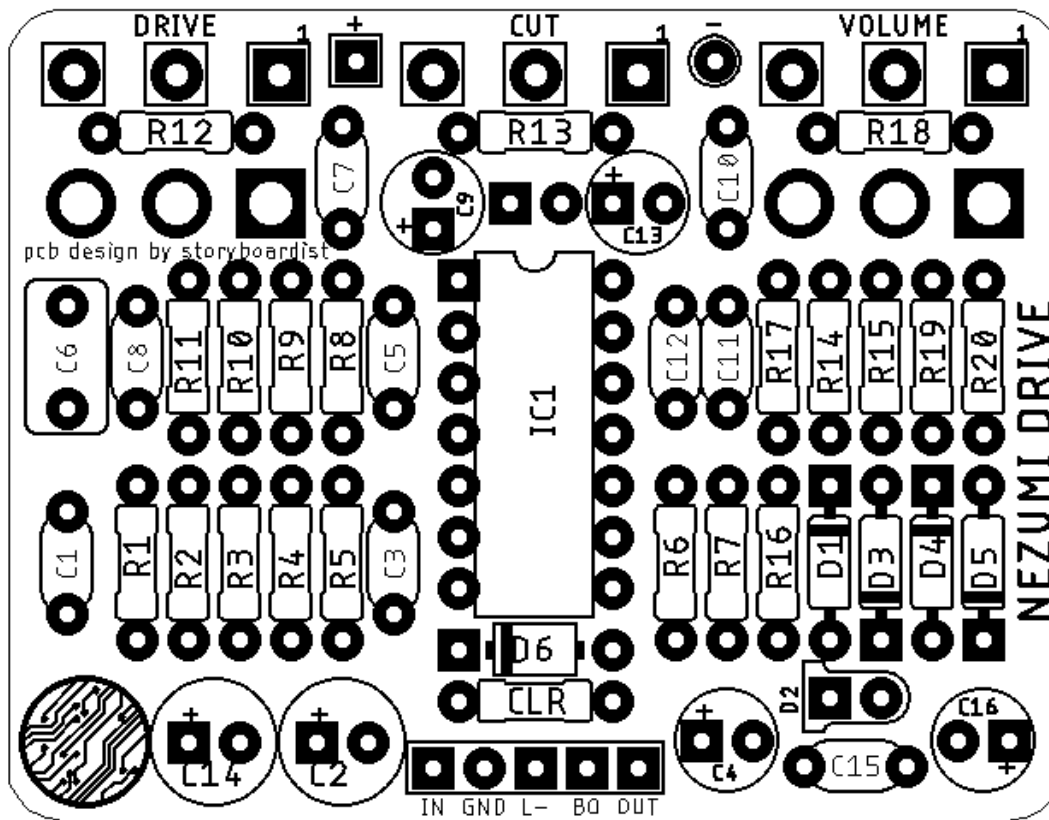


SHOPPING LIST

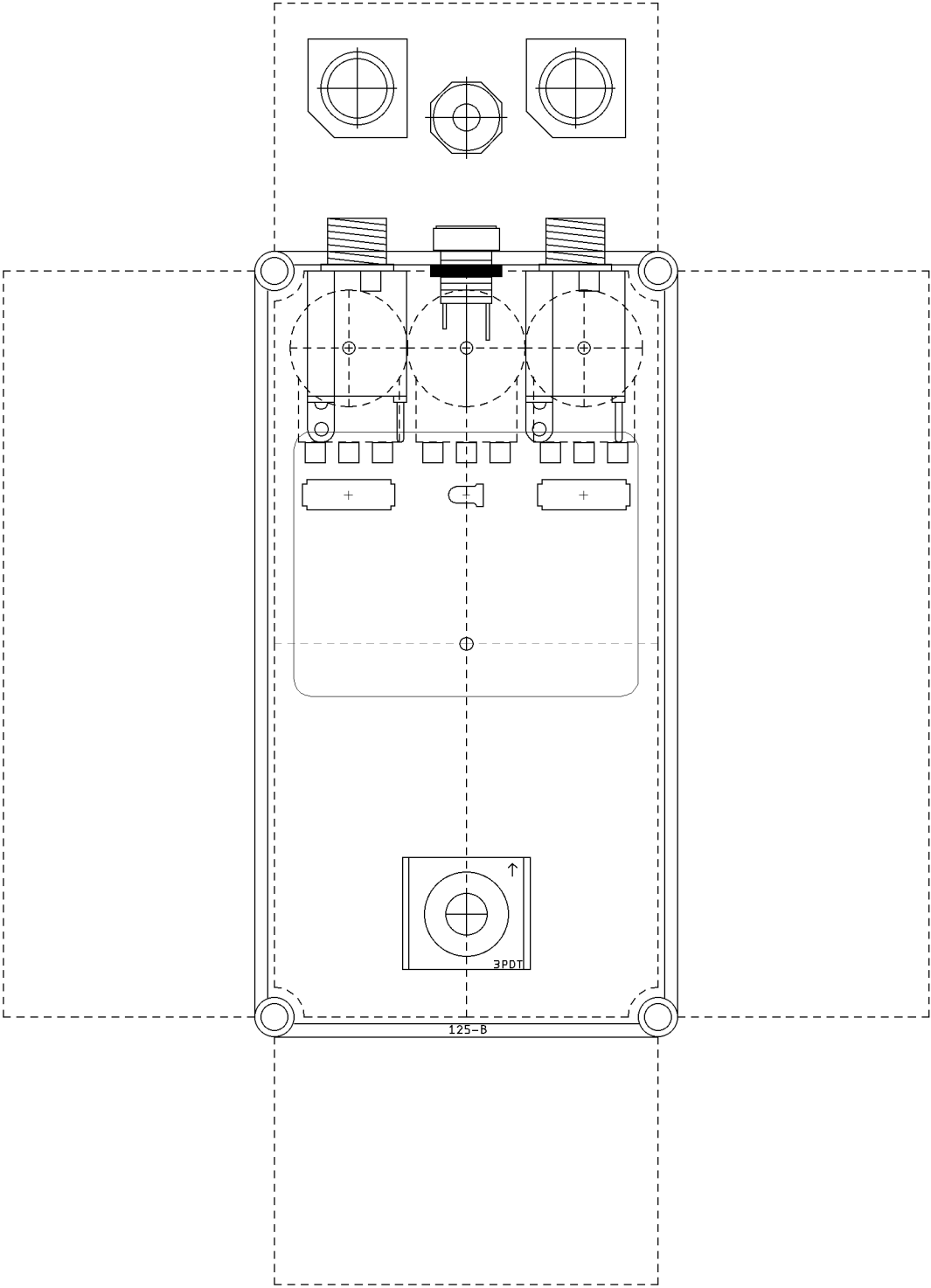
Value	Type (suggested)	Quantity
470Ω	¼ watt carbon or metal film	3
1k	¼ watt carbon or metal film	4
1.5k	¼ watt carbon or metal film	1
2.2k	¼ watt carbon or metal film	1
4.7k	¼ watt carbon or metal film	2
10k	¼ watt carbon or metal film	4

100k	¼ watt carbon or metal film	1
2.2M	¼ watt carbon or metal film	5
390p	Ceramic	1
3.3n	Film	3
22n	Film	2
47n	Film	1
100n	Film	2
220n	Film	1
4.7µ	Electrolytic (35v or higher)	3
10µ	Electrolytic (35v or higher)	1
47µ	Electrolytic (35v or higher)	1
100µ	Electrolytic (35v or higher)	1
1N4001	Rectifier diode	1
1N4148	Switching diode	4
3mm red LED		1
LED	3 or 5mm	1
TL074	Quad opamp	1
A100k	16mm right angle PC mount	3
SPDT on/off/on	Toggle switch	1
SPDT on/on	Toggle switch	1

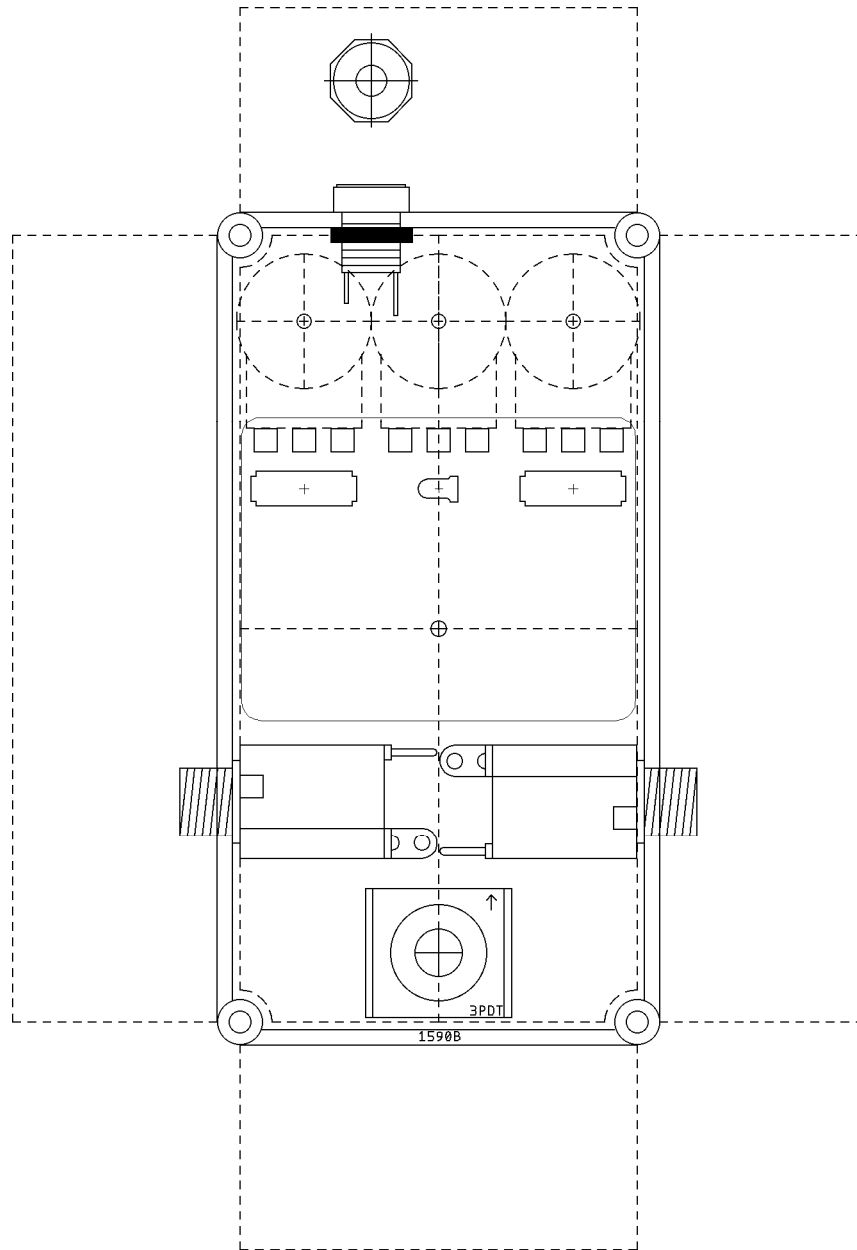
LAYOUT



DRILL TEMPLATE (125B)



DRILL TEMPLATE (1590B)



EFFECTS LAYOUTS © 2019
For DIY and small commercial applications.
Not for non-peer to peer resale.