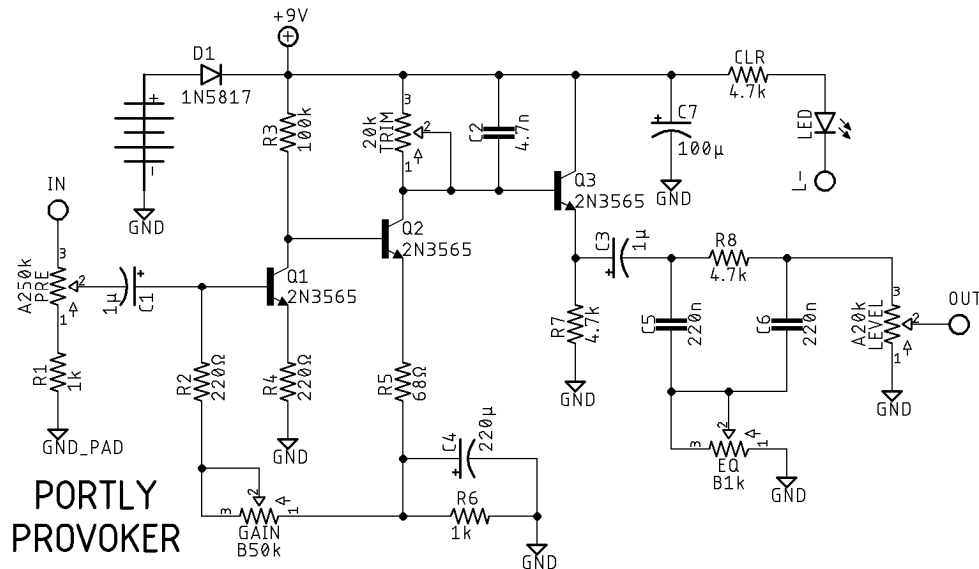


PORTLY PROVOKER

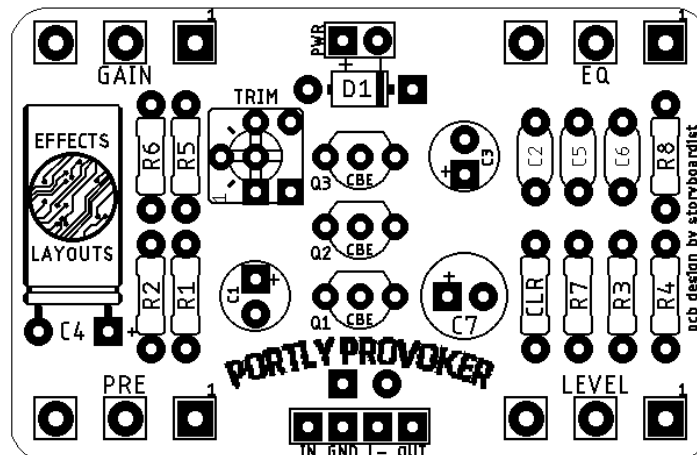
DESCRIPTION

The PORTLY PROVOKER is based on a rare fuzz box, the SRS EQ Exciter. It's a super fat sounding fuzz, good for both guitar or bass. The typography of the circuit is similar to a Fuzz Face with an output buffer. I added a pre-gain pot, a gain pot controlling the feedback network, and a trimmer for more easily biasing Q2. Original transistors were 2N3565s, but any medium hFE transistor should sub just fine (2N3904, 2N5550, etc). It will fit nicely in either a 1590B or 125B.

SCHEMATIC



LAYOUT



BOM

Resistors

R1	1k
R2	220Ω
R3	100k
R4	220Ω
R5	68Ω
R6	1k
R7	4.7k
R8	4.7k
CLR	4.7k

Capacitors

C1	1μ
C2	4.7n
C3	1μ
C4	220μ
C5	220n
C6	220n
C7	100μ

Semiconductors

D1	1N5817
LED	3 or 5mm LED
Q1	2N3565
Q2	2N3565
Q3	2N3565

Electromechanical

EQ	B1k
Gain	B50k
Level	A20k
Pre	A250k
Trim	20k

Note:

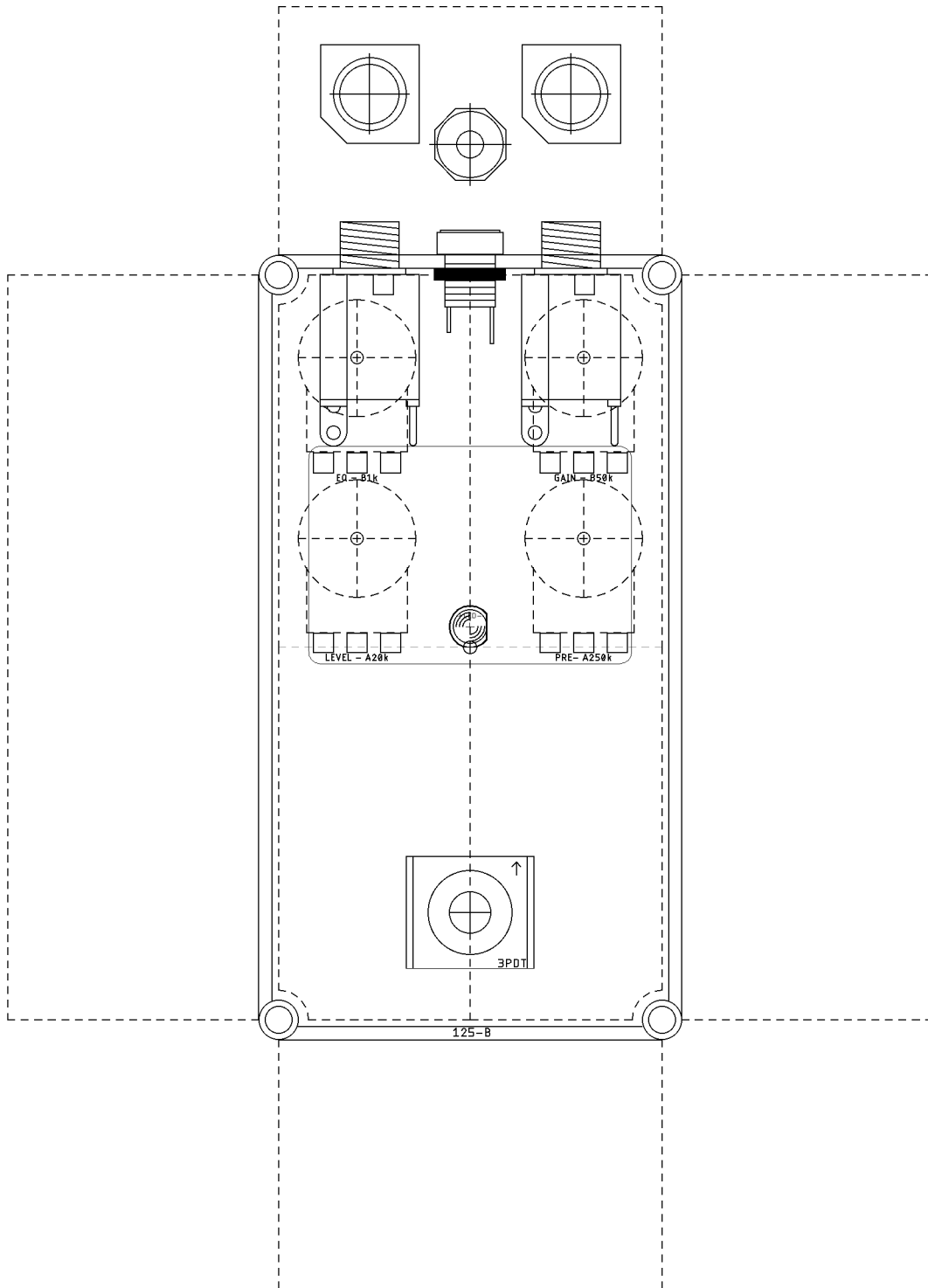
C4 is laid out to be populated lying down with the leads bent 90° down to the pads.

Alternatives for the 2N3565 would be 2N3904, 2N5550, etc.

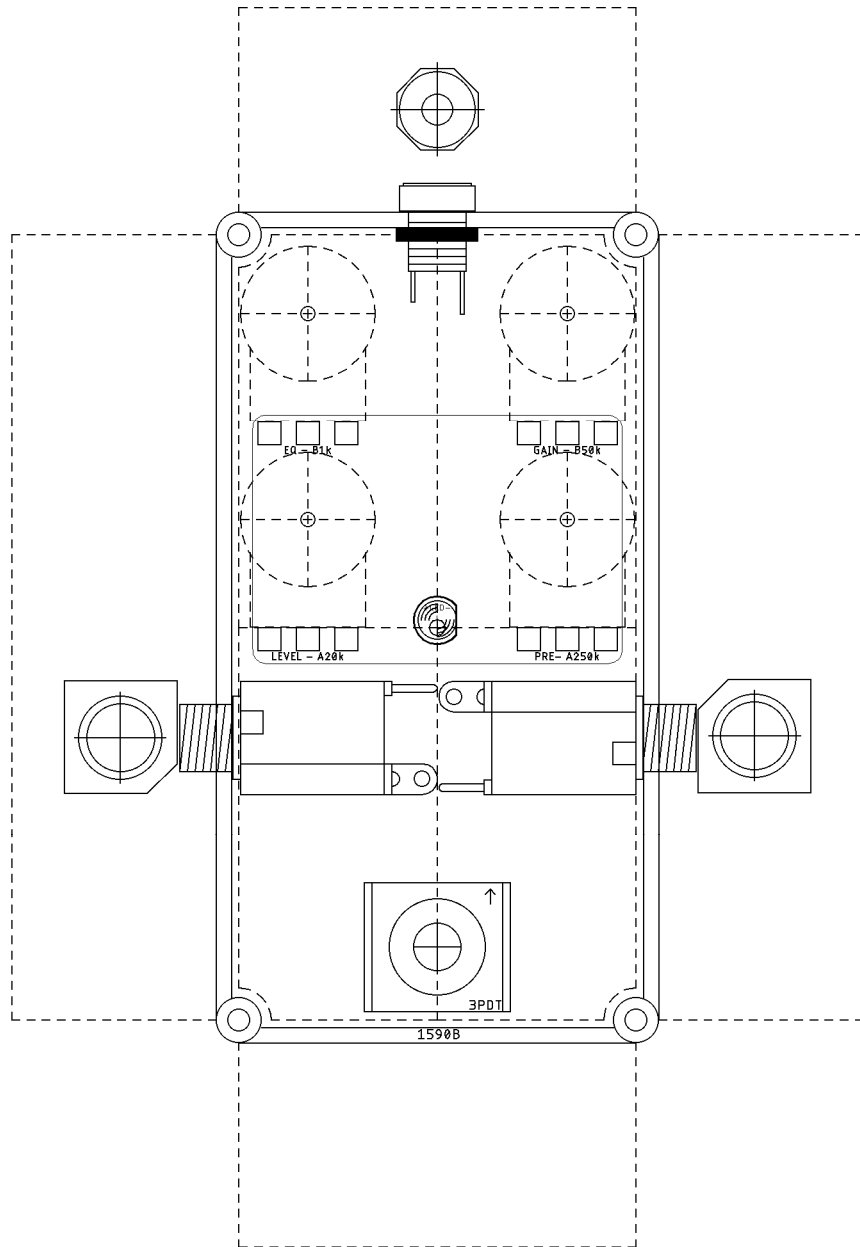
SHOPPING LIST

Value	Type (suggested)	Quantity
68Ω	¼ watt metal or carbon film	1
220Ω	¼ watt metal or carbon film	2
1k	¼ watt metal or carbon film	2
4.7k	¼ watt metal or carbon film	3
100k	¼ watt metal or carbon film	1
4.7n	Film	1
220n	Film	2
1μ	Electrolytic (35v or higher)	2
100μ	Electrolytic (35v or higher)	1
220μ	Electrolytic (35v or higher)	1
1N5817	Schottky rectifier diode	1
3 or 5mm LED		1
2N3565	BJT	3
20k trimmer	Trim pot	1
A20k	16mm right angle PC mount	1
A250k	16mm right angle PC mount	1
B1k	16mm right angle PC mount	1
B50k	16mm right angle PC mount	1

DRILL TEMPLATE (125B)



DRILL TEMPLATE (1590B)



EFFECTS LAYOUTS © 2019
For DIY and small commercial applications.
Not for non-peer to peer resale.