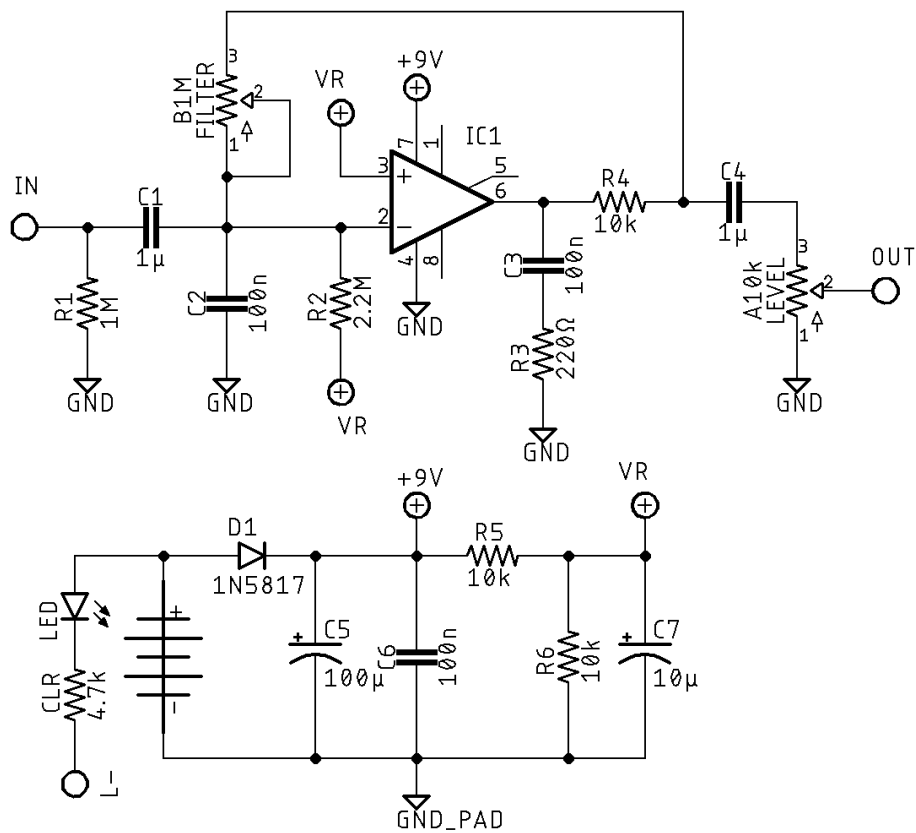


OSCillot

DESCRIPTION

The OSCillot is essentially a modified clone of the Earth Sound Research Graphic Fuzz, but with a modernized power supply allowing it be daisy chained with other effects using a standard 9v power adaptor. It's quite the noisemaker and oscillates a lot (hence the name). If it sounds broken, it's probably not. As the Filter pot is turned the frequency of the oscillation changes, but as audio signal goes through the effect the oscillation moves to the background.

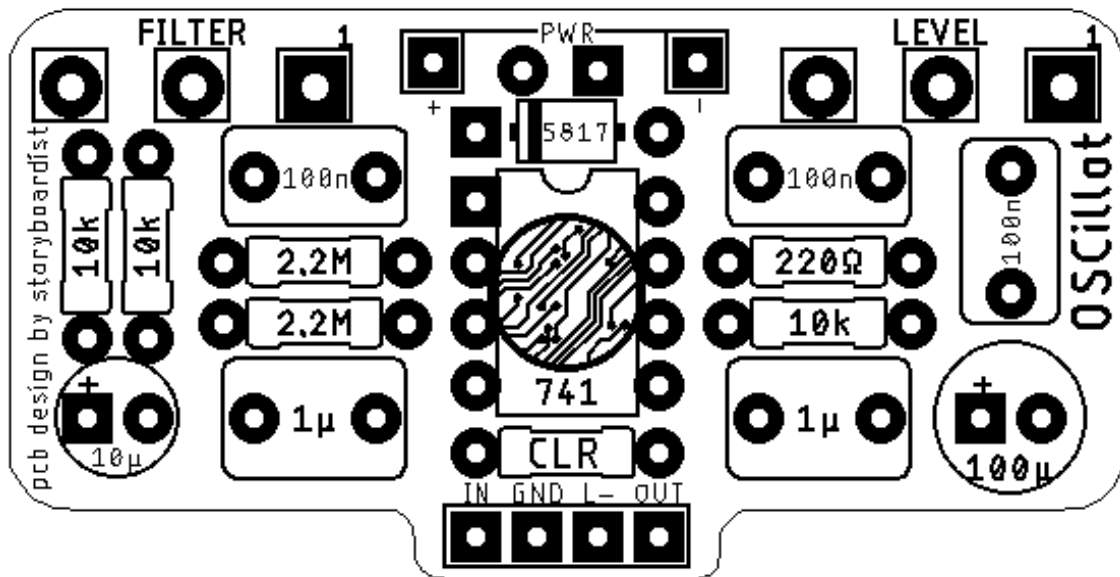
SCHEMATIC



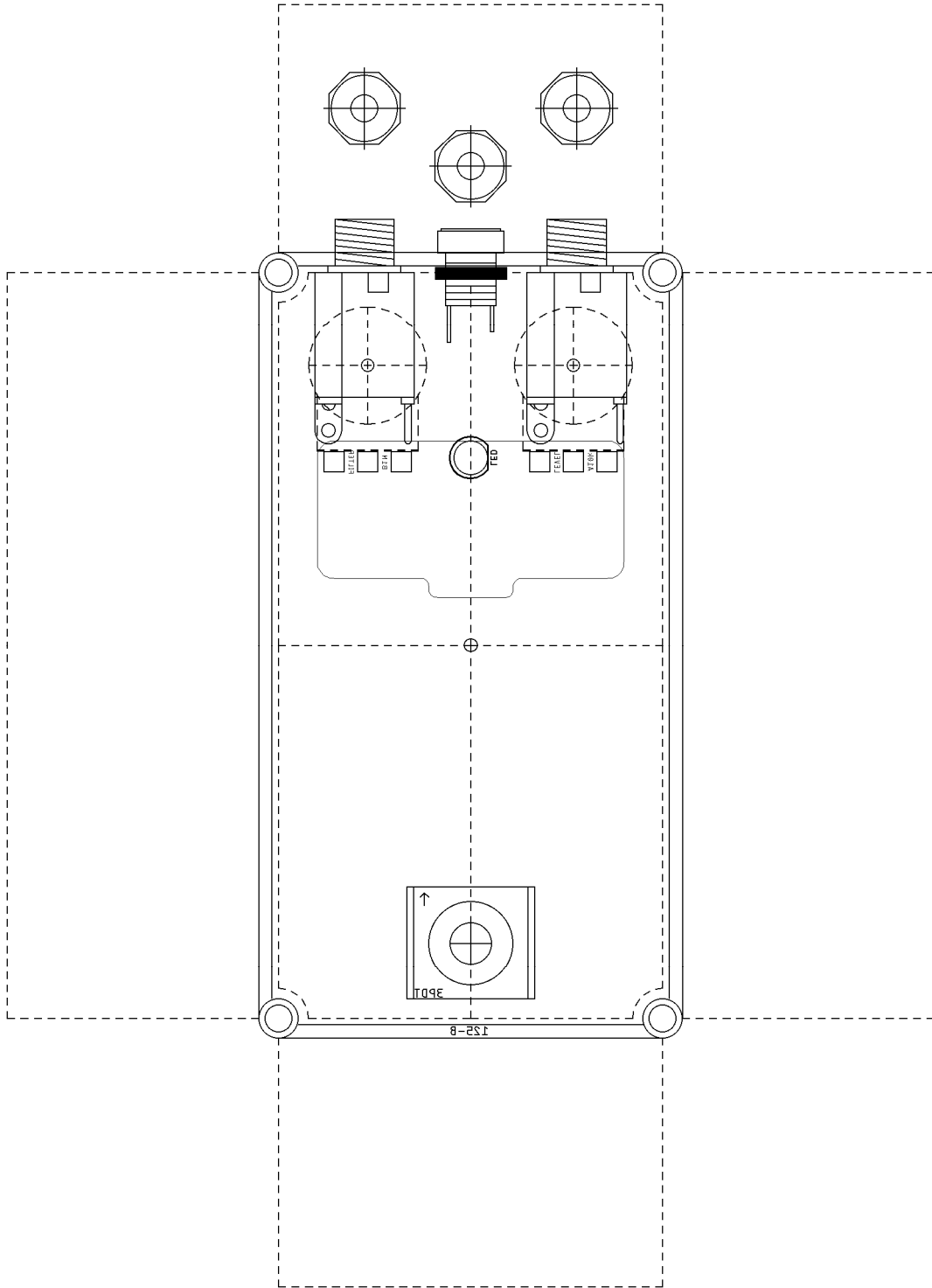
SHOPPING LIST

Value	Type (suggested)	Quantity
220Ω	¼ watt metal or carbon film	1
10k	¼ watt metal or carbon film	3
1M	¼ watt metal or carbon film	1
2.2M	¼ watt metal or carbon film	1
100n	Film (63v or higher)	3
1μ	Film (63v or higher)	2
10μ	Electrolytic (25v or higher)	1
100μ	Electrolytic (25v or higher)	1
1N5817		1
741	Single opamp	1
B1M	16mm PC mount	1
A10k	16mm PC mount	1

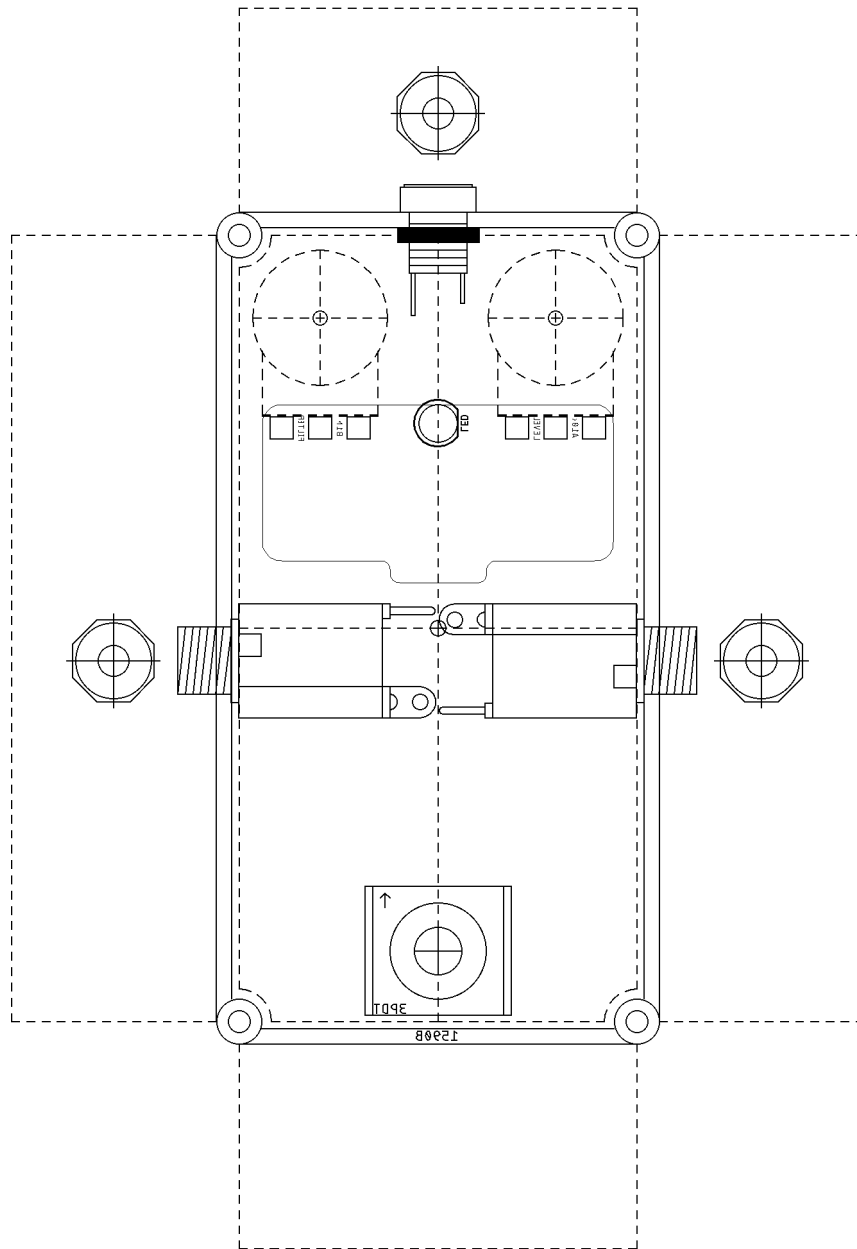
LAYOUT



DRILL TEMPLATE (125B)



DRILL TEMPLATE (1590B)



EFFECTS LAYOUTS © 2019
For DIY and small commercial applications.
Not for non-peer to peer resale.