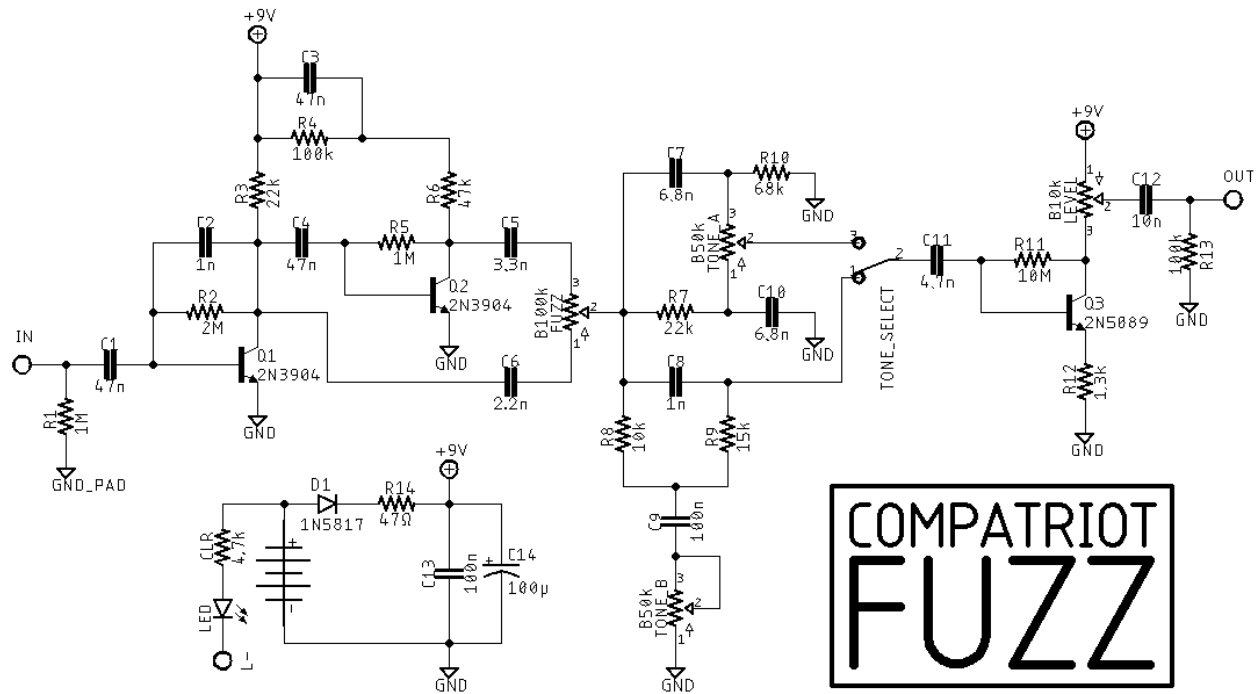


COMPATRIOT FUZZ

DESCRIPTION

The COMPATRIOT FUZZ is a variation of the classic 70s fuzz, the Shin-Ei Companion FY-2. One of the biggest deficiencies in the original Companion Fuzz is the lack of output volume. To remedy this, I've added a treble boosting gain stage at the output (think silicon Rangemaster). The other main modification I've added is to the tone section. I've added a tone pot to control the scoop of the original tone stack, but also added the option for a Big Muff-style tone stack. These two tone stacks are selectable via the toggle switch and share a dual-gang pot. The result is a ripping fuzz with a wide range of tonal options.

SCHEMATIC



COMPATRIOT
FUZZ

BOM

Resistors

R1	1M
R2	2M
R3	22k
R4	100k
R5	1M
R6	47k
R7	22k
R8	10k
R9	15k
R10	68k
R11	10M
R12	1.3k
R13	100k
R14	47Ω
CLR	4.7k

Capacitors

C1	47n
C2	1n
C3	47n
C4	47n

C5	3.3n
C6	2.2n
C7	6.8n
C8	1n
C9	100n
C10	6.8n
C11	4.7n
C12	10n
C13	100n
C14	100μ

Semiconductors

D1	1N5817
LED	3 or 5mm LED
Q1	2N3904
Q2	2N3904
Q3	2N5089

Electromechanical

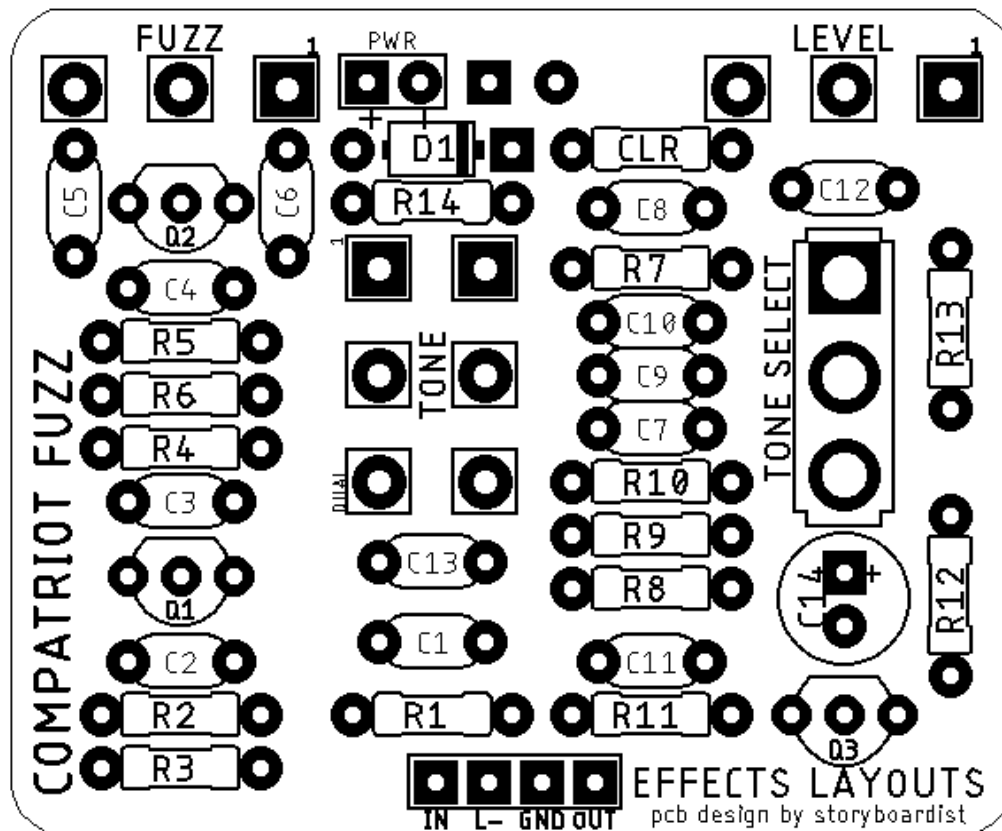
Fuzz	B100k
Level	B10k
Tone	B50k dual-gang
Tone Select	SPDT on/on

SHOPPING LIST

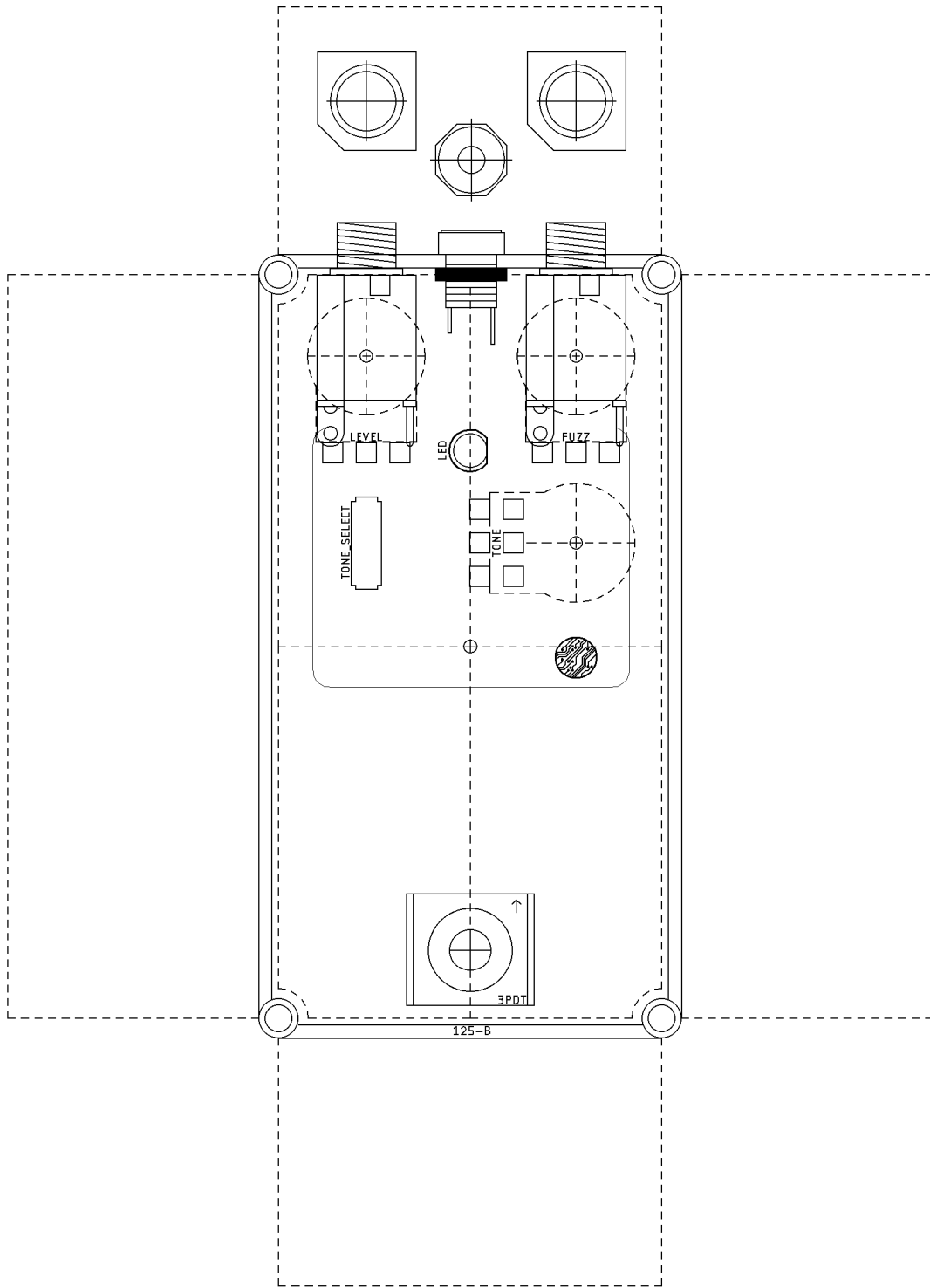
Part	Type (suggested)	Quantity
47Ω	¼ watt carbon or metal film	1
1.3k	¼ watt carbon or metal film	1
4.7k	¼ watt carbon or metal film	1
10k	¼ watt carbon or metal film	1
15k	¼ watt carbon or metal film	1
22k	¼ watt carbon or metal film	2
47k	¼ watt carbon or metal film	1
68k	¼ watt carbon or metal film	1
100k	¼ watt carbon or metal film	2
1M	¼ watt carbon or metal film	2
2M	¼ watt carbon or metal film	1
10M	¼ watt carbon or metal film	1
1n	Film (63v or higher)	2
2.2n	Film (63v or higher)	1
3.3n	Film (63v or higher)	1

4.7n	Film (63v or higher)	1
6.8n	Film (63v or higher)	2
10n	Film (63v or higher)	1
47n	Film (63v or higher)	3
100n	Film (63v or higher)	1
100μ	Electrolytic (25v or higher)	1
1N5817		1
LED	3 or 5mm	1
2N3904	BJT transistor	2
2N5089	BJT transistor	1
B10k	16mm PC mount	1
B50k	16mm PC mount dual-gang	1
B100k	16mm PC mount	1
SPDT	On/on toggle	1

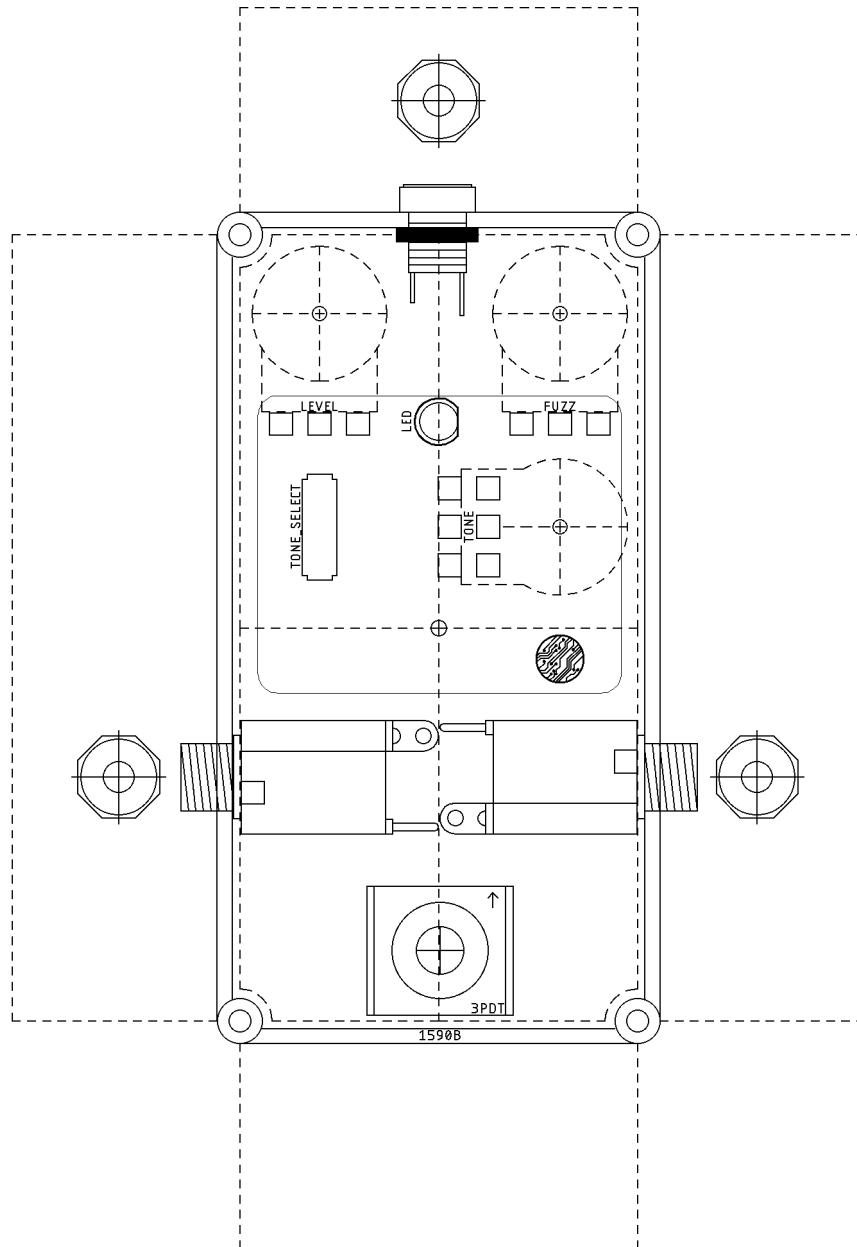
LAYOUT



DRILL TEMPLATE (125B)



DRILL TEMPLATE (1590B)



EFFECTS LAYOUTS © 2019
For DIY and small commercial applications.
Not for non-peer to peer resale.