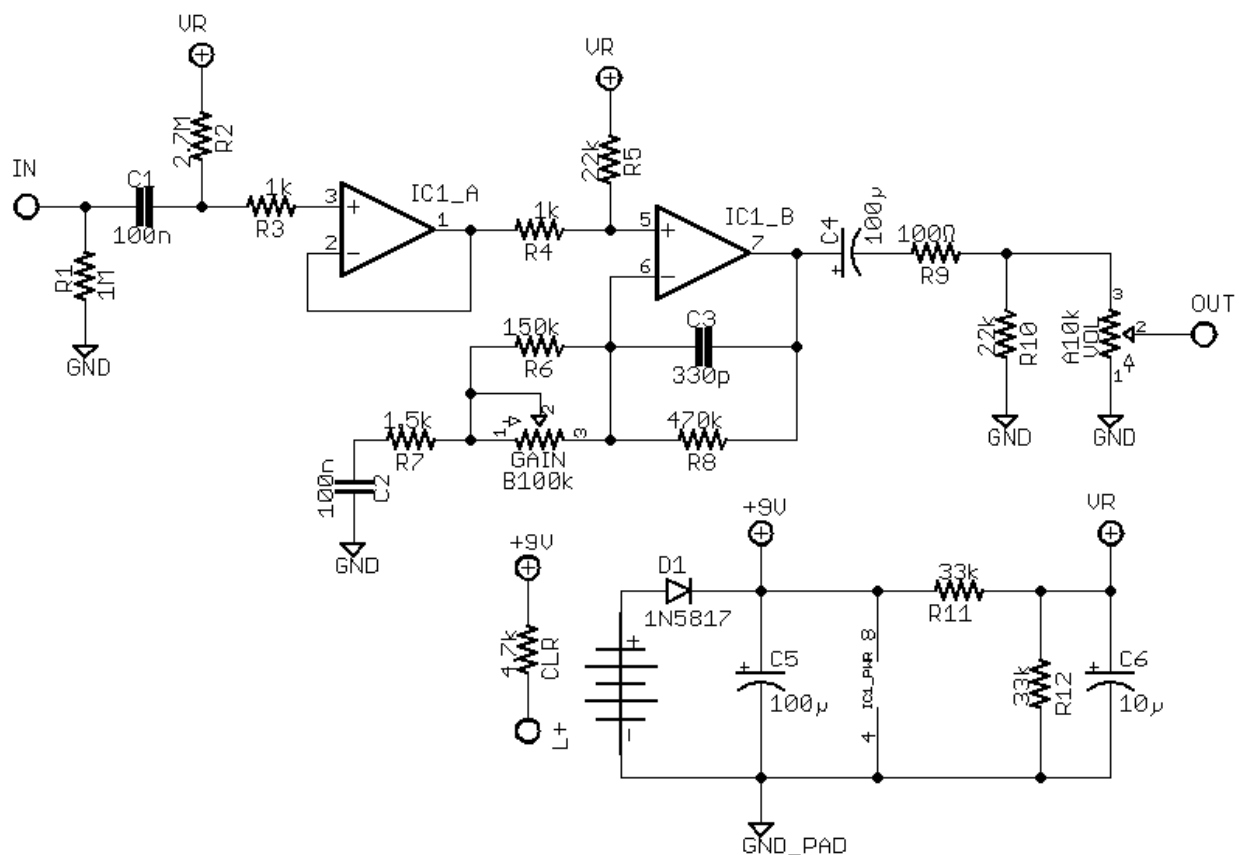


PISSED OFF DWARF

DESCRIPTION

The PISSED OFF DWARF is an op-amp clean boost designed to push a tube amp into natural overdrive. It is based on the Way Huge® Angry Troll, with the main difference being simplifying the gain control. The rotary switch present in the original (used to switch between different resistors) is replaced with a single potentiometer. It's designed to fit in a 1590A enclosure with 9mm pots, but will easily fit in a larger enclosure with the pots wired off-board.

SCHEMATIC



BILL OF MATERIALS

Resistors

| | |
|-----|------|
| R1 | 1M |
| R2 | 2.7M |
| R3 | 1k |
| R4 | 1k |
| R5 | 22k |
| R6 | 150k |
| R7 | 1.5k |
| R8 | 470k |
| R9 | 100Ω |
| R10 | 22k |
| R11 | 33k |
| R12 | 33k |
| CLR | 4.7k |

Capacitors

| | |
|----|------|
| C1 | 100n |
| C2 | 100n |
| C3 | 330p |
| C4 | 100μ |
| C5 | 100μ |
| C6 | 10μ |

Semiconductors

| | |
|-----|------------------|
| D1 | 1N5817 |
| IC1 | LM833 or similar |

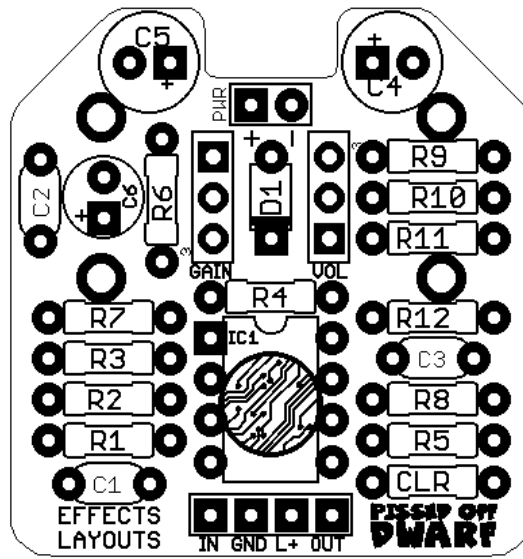
Electromechanical

| | |
|--------|-------|
| Gain | B100k |
| Volume | A10k |

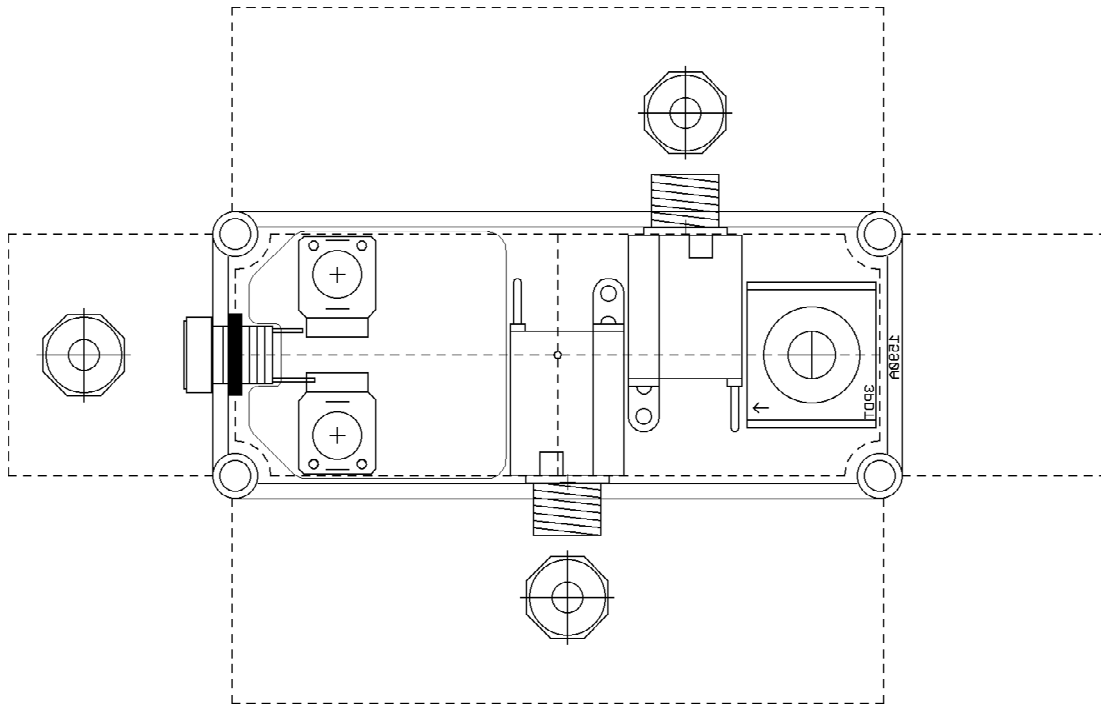
SHOPPING LIST

| Value | Type (suggested) | Quantity |
|--------|------------------------------|----------|
| 100Ω | ¼ watt metal or carbon film | 1 |
| 1k | ¼ watt metal or carbon film | 2 |
| 1.5k | ¼ watt metal or carbon film | 1 |
| 4.7k | ¼ watt metal or carbon film | 1 |
| 22k | ¼ watt metal or carbon film | 2 |
| 33k | ¼ watt metal or carbon film | 2 |
| 150k | ¼ watt metal or carbon film | 1 |
| 470k | ¼ watt metal or carbon film | 1 |
| 1M | ¼ watt metal or carbon film | 1 |
| 2.7M | ¼ watt metal or carbon film | 1 |
| 330p | Ceramic (63v or higher) | 1 |
| 100n | Film (63v or higher) | 2 |
| 10μ | Electrolytic (35v or higher) | 1 |
| 100μ | Electrolytic (35v or higher) | 2 |
| 1N5817 | | 1 |
| LM833 | Dual op-amp | 1 |
| A10k | 9mm PC mount | 1 |
| B100k | 9mm PC mount | 1 |

LAYOUT



DRILL TEMPLATE (1590A)



EFFECTS LAYOUTS © 2018
For DIY and small commercial applications.
Not for non-peer to peer resale.