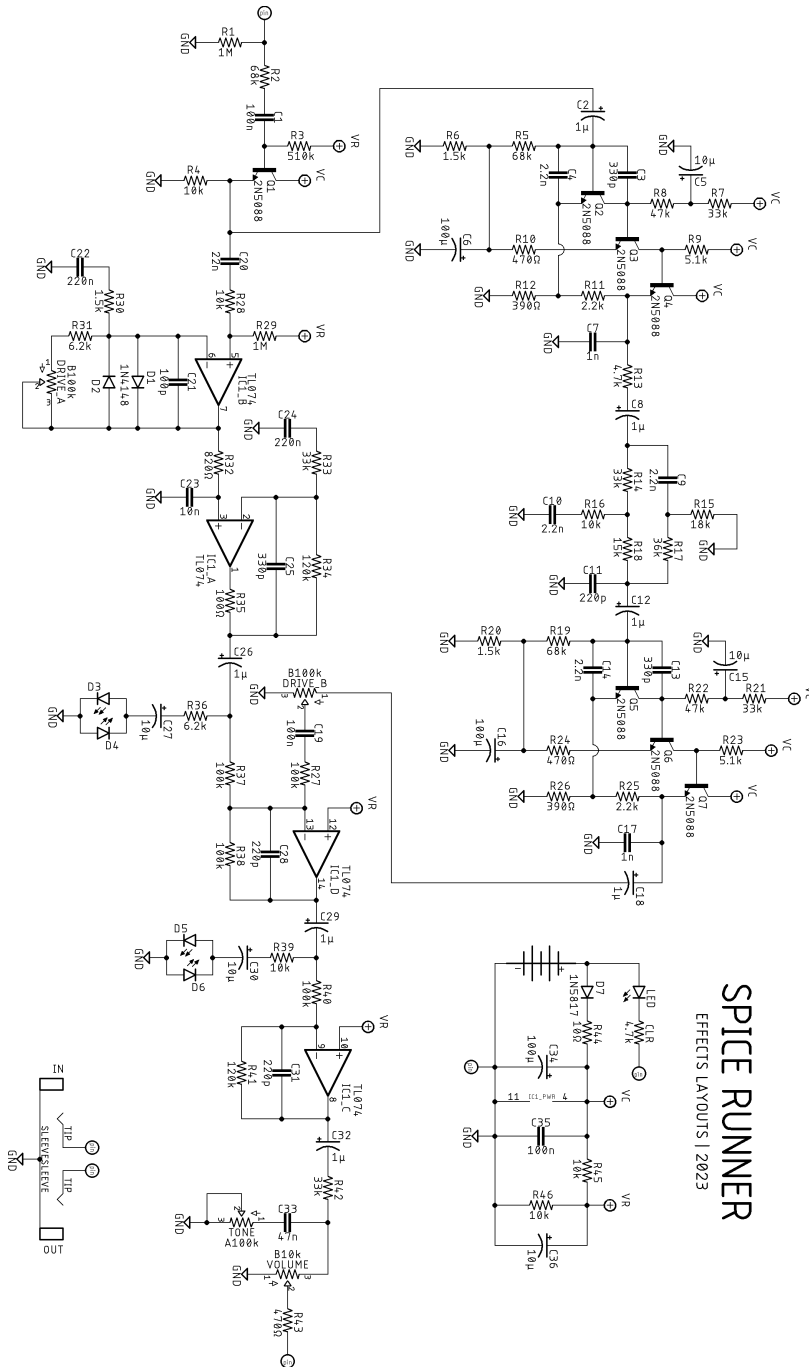


# Spice Runner

## DESCRIPTION

The SPICE RUNNER is a transparent overdrive based on the Way Huge Saucy Box. It features two signal paths, one the overdrive, the other a discrete clean boost. The dual-gang gain pot not only controls the gain of the overdrive circuitry, but the amount of clean signal as well.

## SCHEMATIC



## BOM

### Resistors

R1	1M
R2	68k
R3	510k
R4	10k
R5	68k
R6	1.5k
R7	33k
R8	47k
R9	5.1k
R10	470Ω
R11	2.2k
R12	390Ω
R13	4.7k
R14	33k
R15	18k
R16	10k
R17	36k
R18	15k
R19	68k
R20	1.5k
R21	33k
R22	47k
R23	5.1k
R24	470Ω
R25	2.2k
R26	390Ω
R27	100k
R28	10k
R29	1M
R30	1.5k
R31	6.2k
R32	820Ω
R33	33k
R34	120k
R35	100Ω
R36	6.2k
R37	100k
R38	100k
R39	10k
R40	100k
R41	120k
R42	33k
R43	470Ω

R44	10Ω
R45	10k
R46	10k
CLR	4.7k

### Capacitors

C1	100n
C2	1μ
C3	330p
C4	2.2n
C5	10μ
C6	100μ
C7	1n
C8	1μ
C9	2.2n
C10	2.2n
C11	220p
C12	1μ
C13	330p
C14	2.2n
C15	10μ
C16	100μ
C17	1n
C18	1μ
C19	100n
C20	22n
C21	100p
C22	220n
C23	10n
C24	220n
C25	330p
C26	1μ
C27	10μ
C28	220p
C29	1μ
C30	10μ
C31	220p
C32	1μ
C33	47n
C34	100μ
C35	100n
C36	10μ

### Semiconductors

D1	1N4148
D2	1N4148
D3	3mm red LED
D4	3mm red LED
D5	3mm red LED
D6	3mm red LED
D7	1N5817
IC1	TL074
LED	3 or 5mm
Q1	2N5088

Q2	2N5088
Q3	2N5088
Q4	2N5088
Q5	2N5088
Q6	2N5088
Q7	2N5088

### Electromechanical

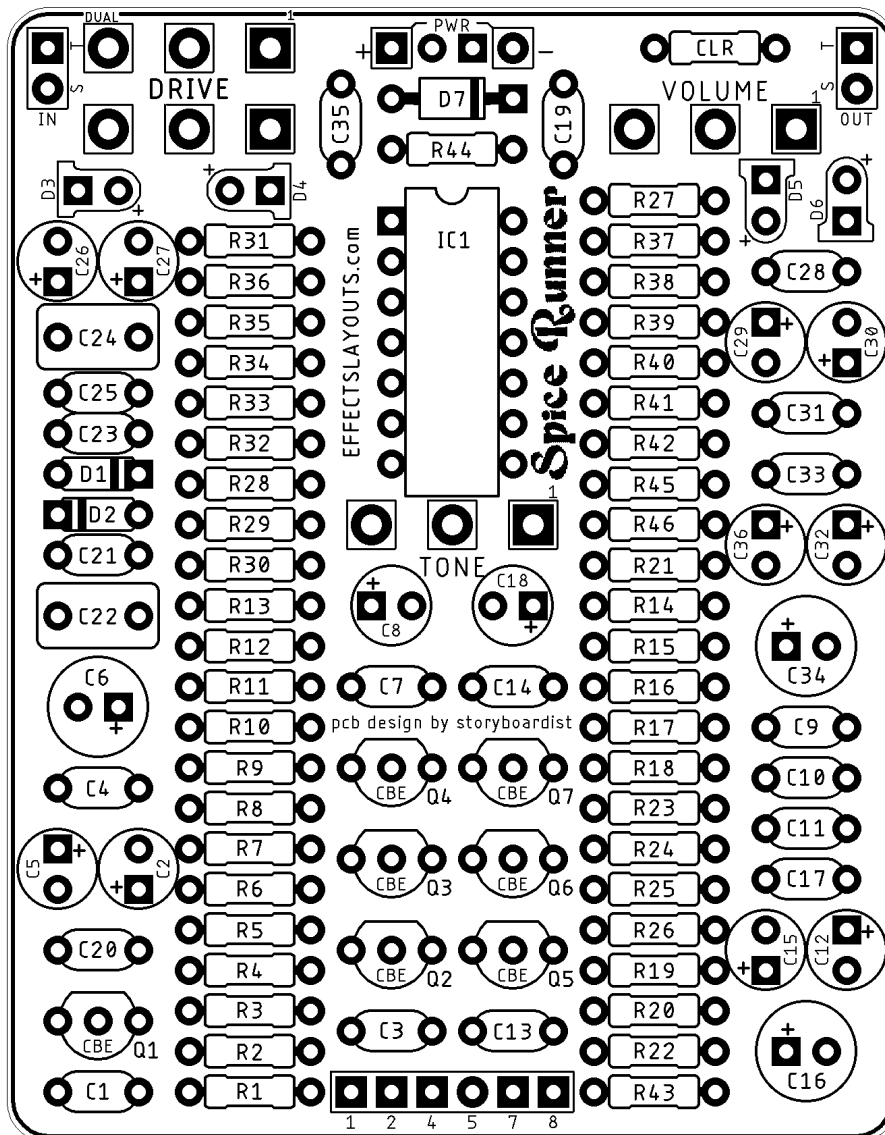
DRIVE	B100k dual-gang
TONE	A100k
VOLUME	B10k

### SHOPPING LIST

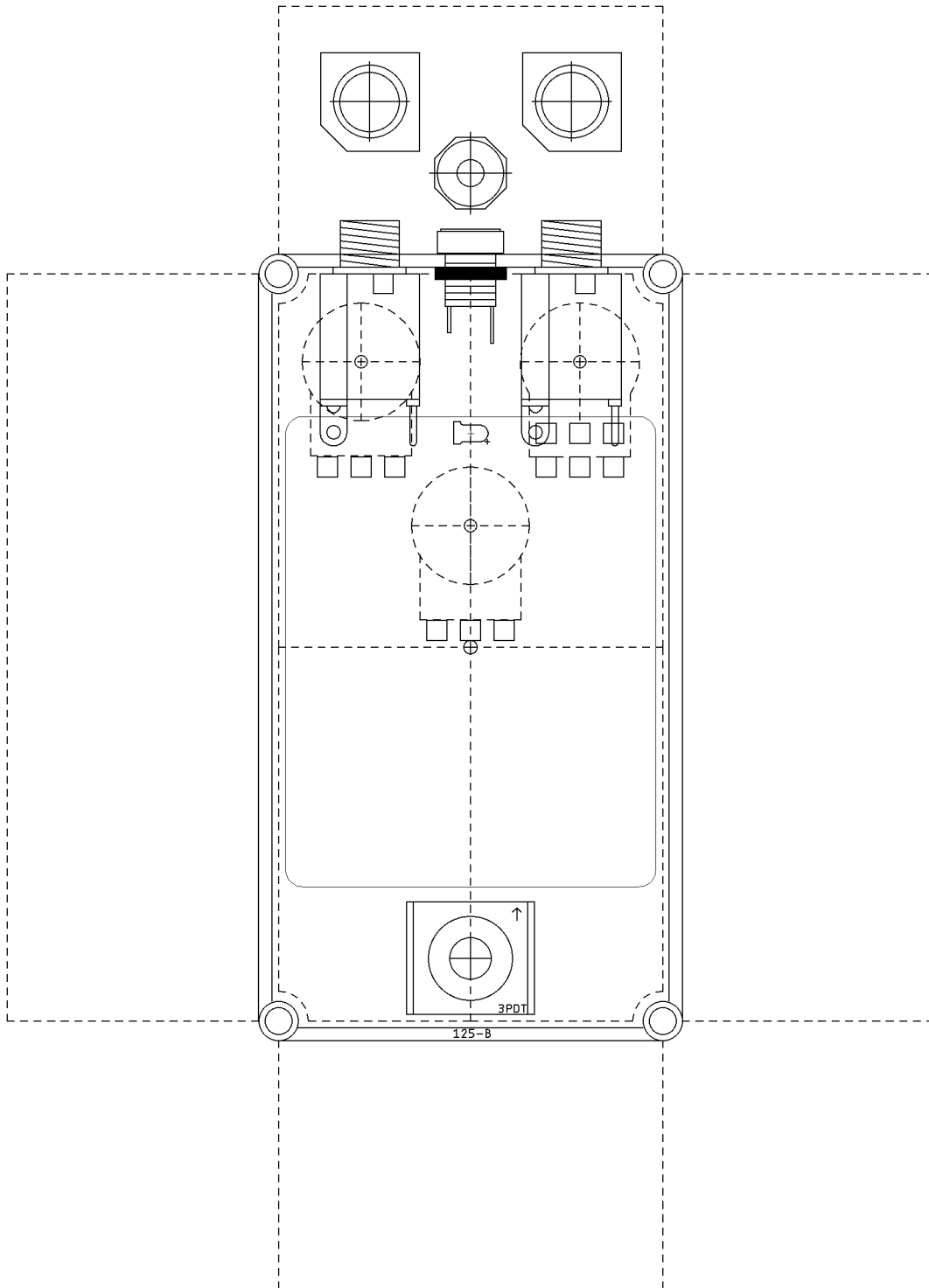
Part	Type (suggested)	Quantity
10Ω	¼ watt metal or carbon film	1
100Ω	¼ watt metal or carbon film	1
390Ω	¼ watt metal or carbon film	2
470Ω	¼ watt metal or carbon film	3
820Ω	¼ watt metal or carbon film	1
1.5k	¼ watt metal or carbon film	3
2.2k	¼ watt metal or carbon film	2
4.7k	¼ watt metal or carbon film	2
5.1k	¼ watt metal or carbon film	2
6.2k	¼ watt metal or carbon film	2
10k	¼ watt metal or carbon film	6
15k	¼ watt metal or carbon film	1
18k	¼ watt metal or carbon film	1
33k	¼ watt metal or carbon film	5
36k	¼ watt metal or carbon film	1
47k	¼ watt metal or carbon film	2
68k	¼ watt metal or carbon film	3
100k	¼ watt metal or carbon film	4
120k	¼ watt metal or carbon film	2
510k	¼ watt metal or carbon film	1
1M	¼ watt metal or carbon film	2
100p	Ceramic	1
220p	Ceramic	3
330p	Ceramic	3
1n	Film	2
2.2n	Film	4
10n	Film	1
22n	Film	1
47n	Film	1
100n	Ceramic (C35)	1
100n	Film	2

220n	Film	2
1μ	Electrolytic (25v+)	7
10μ	Electrolytic (25v+)	5
100μ	Electrolytic (25v+)	3
1N4148	Silicon switching diode	2
1N5817	Schottky rectifier diode	1
2N5088	BJT	7
LED	3mm red	4
LED	3 or 5mm	1
TL074	Quad op-amp	1
A100k	16mm right angle PC mount potentiometer	1
B10k	16mm right angle PC mount potentiometer	1
B100k	16mm dual-gang right angle PC mount potentiometer	1

## LAYOUT



**DRILL TEMPLATE (125B)**



EFFECTS LAYOUTS © 2023  
For DIY and small commercial applications.  
Not for non-peer to peer resale.