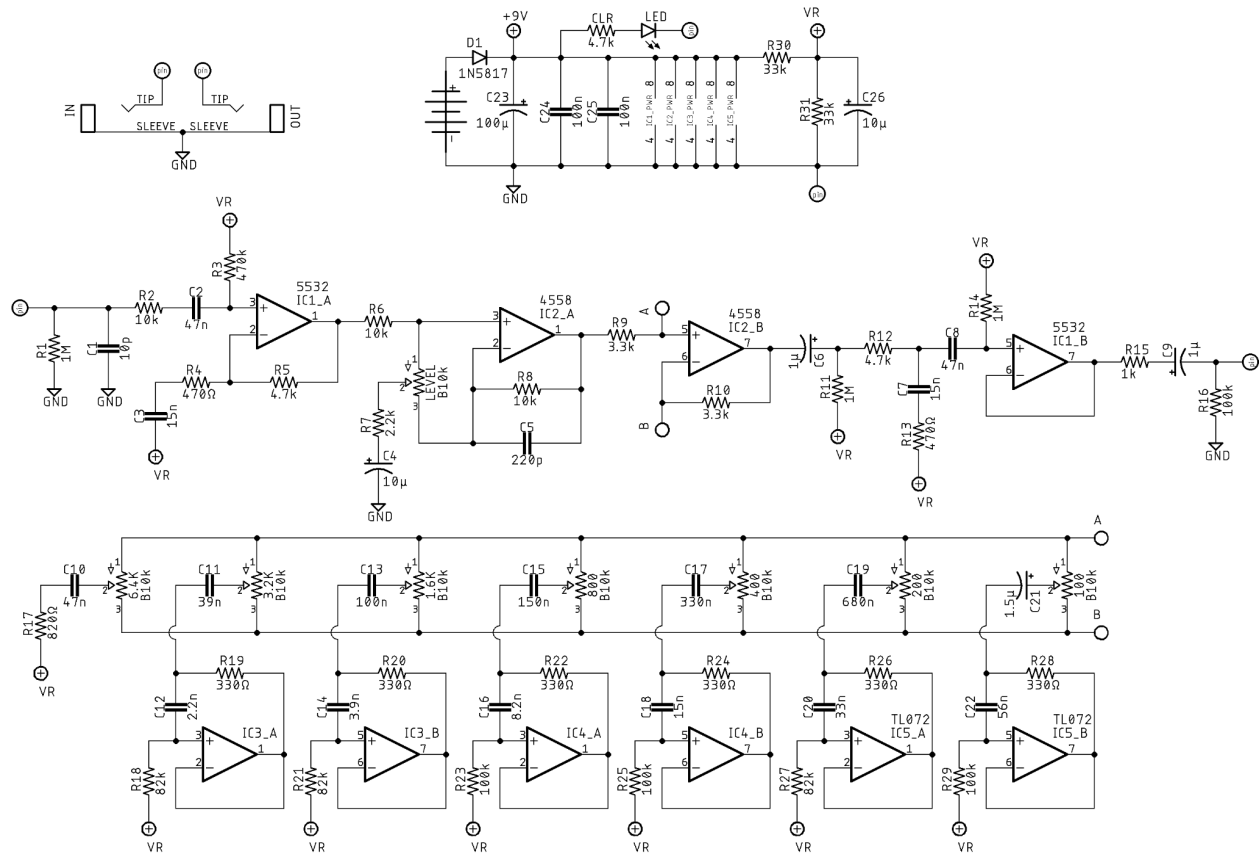


PRISMATIC EQ

DESCRIPTION

The PRISMATIC EQ is a 7-band, tone-shaping equalizer with a master volume. It's based on the Boss GE-7 with a modernized output buffer and includes a master volume, so you can not only tame or boost specific frequencies, but also boost or tame your signal as well. You can also build the bass version of the GE-7 with a few values outlined below. They're not required, but center-detent pots are recommended for this build.

SCHEMATIC



BOM

Resistors

R1	1M
R2	10k
R3	470k
R4	470Ω
R5	4.7k
R6	10k
R7	2.2k
R8	10k
R9	3.3k
R10	3.3k
R11	1M
R12	4.7k
R13	470Ω
R14	1M
R15	1k
R16	100k
R17	820Ω
R18	82k
R19	330Ω
R20	330Ω
R21	82k
R22	330Ω
R23	100k
R24	330Ω
R25	100k
R26	330Ω
R27	82k
R28	330Ω
R29	100k
R30	33k
R31	33k
CLR	4.7k

Capacitors

C1	10p
C2	47n
C3	15n
C4	10μ
C5	220p

C6	1μ
C7	15n
C8	47n
C9	1μ
C10	47n
C11	39n
C12	2.2n
C13	100n
C14	3.9n
C15	150n
C16	8.2n
C17	330n
C18	15n
C19	680n
C20	33n
C21	1.5μ
C22	56n
C23	100μ
C24	100n
C25	100n
C26	10μ

Semiconductors

D1	1N5817
IC1	5532
IC2	4558
IC3	TL072
IC4	TL072
IC5	TL072
LED	3 or 5mm

Electromechanical

1.6k	B10k
3.2k	B10k
6.4k	B10k
100	B10k
200	B10k
400	B10k
800	B10k
Level	B10k

Changes for Bass Version

R17	560Ω
C10	68n
C11	68n
C12	3.3n
C13	150n
C14	3.9n

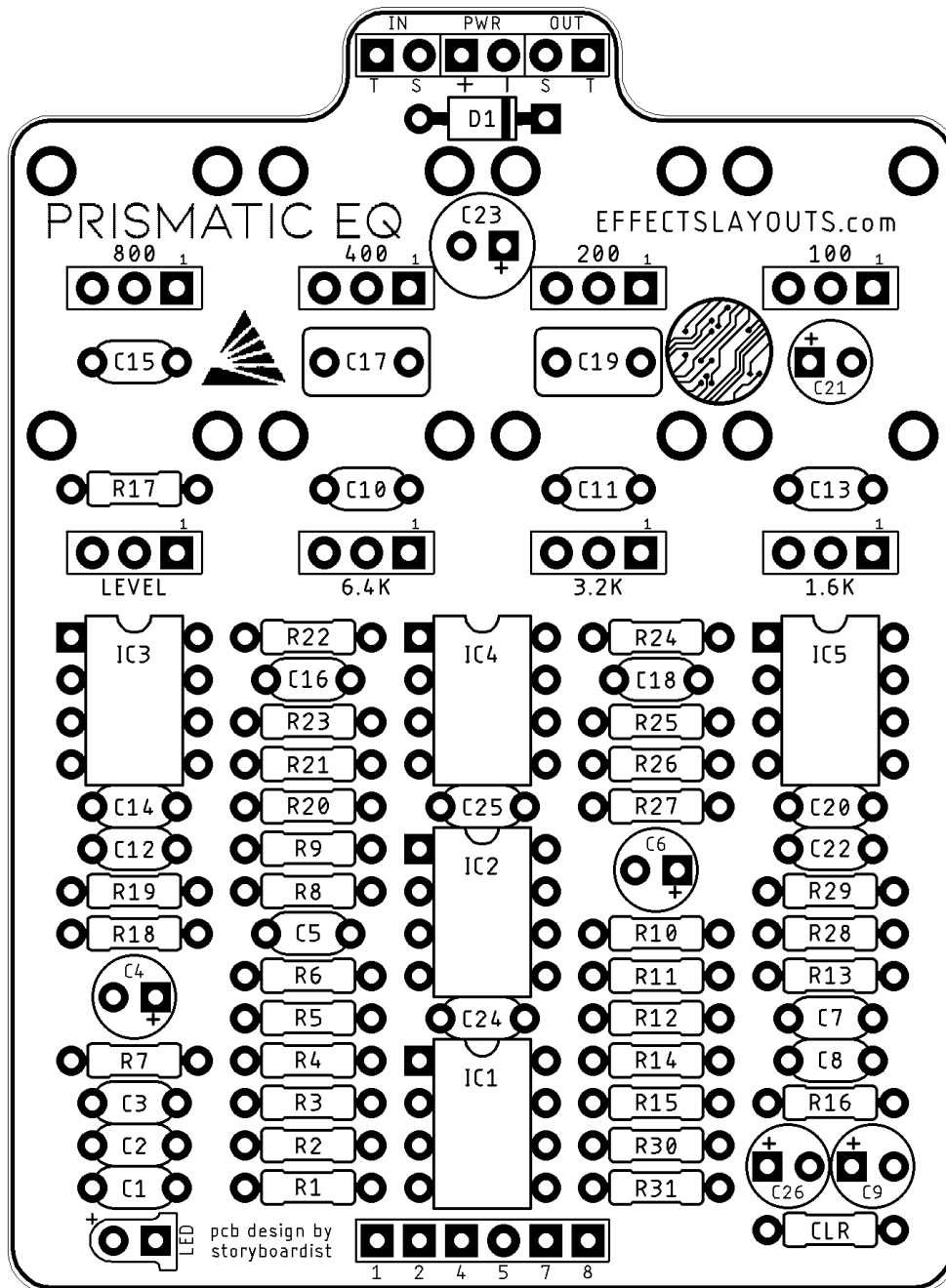
C15	220n
C16	12n
C17	470n
C18	22n
C19	1.5μ
C20	47n
C21	2.2μ
C22	82n

SHOPPING LIST

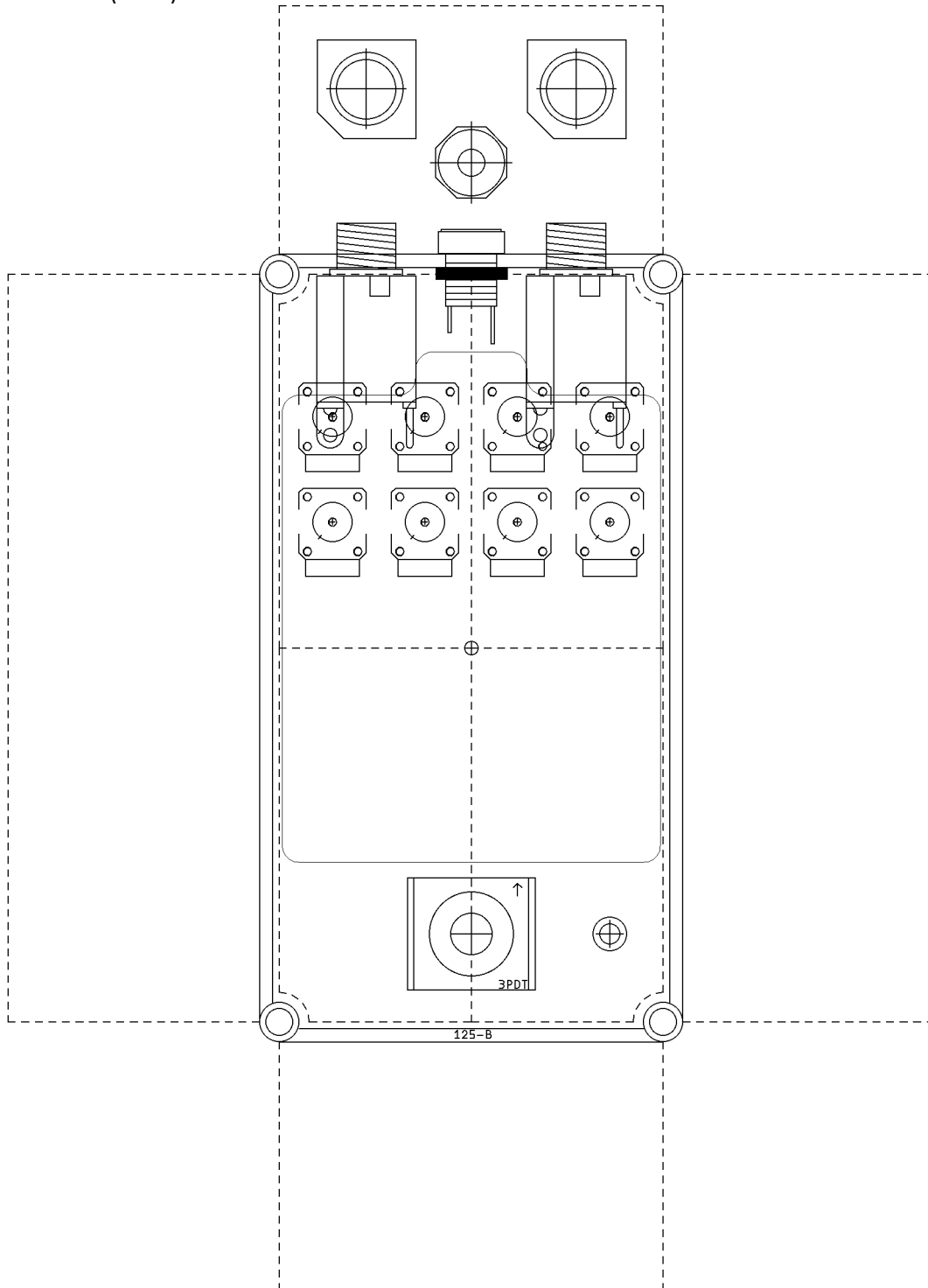
Value	Type (suggested)	Quantity
330Ω	¼ watt metal or carbon film	6
470Ω	¼ watt metal or carbon film	2
820Ω	¼ watt metal or carbon film	1
1k	¼ watt metal or carbon film	1
2.2k	¼ watt metal or carbon film	1
3.3k	¼ watt metal or carbon film	2
4.7k	¼ watt metal or carbon film	3
10k	¼ watt metal or carbon film	3
33k	¼ watt metal or carbon film	2
82k	¼ watt metal or carbon film	3
100k	¼ watt metal or carbon film	4
470k	¼ watt metal or carbon film	1
1M	¼ watt metal or carbon film	3
10p	Ceramic	1
220p	Ceramic	1
2.2n	Film	1
3.9n	Film	1
8.2n	Film	1
15n	Film	3
33n	Film	1
39n	Film	1
47n	Film	3
56n	Film	1
100n (C24-25)	Ceramic	2
100n	Film	1
150n	Film	1
330n	Film	1
680n	Film	1

1μ	Electrolytic (25v+)	2
1.5μ	Electrolytic (25v+)	1
10μ	Electrolytic (25v+)	2
100μ	Electrolytic (25v+)	1

LAYOUT



DRILL TEMPLATE (125B)



EFFECTS LAYOUTS © 2023
For DIY and small commercial applications.
Not for non-peer to peer resale.