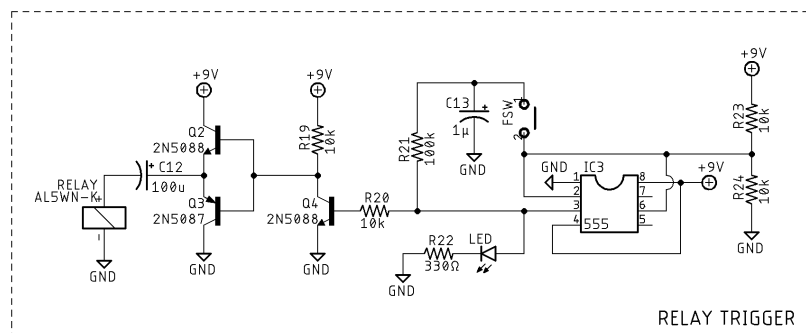
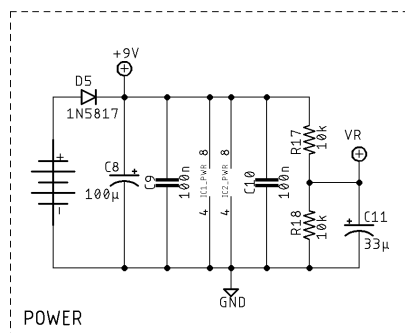
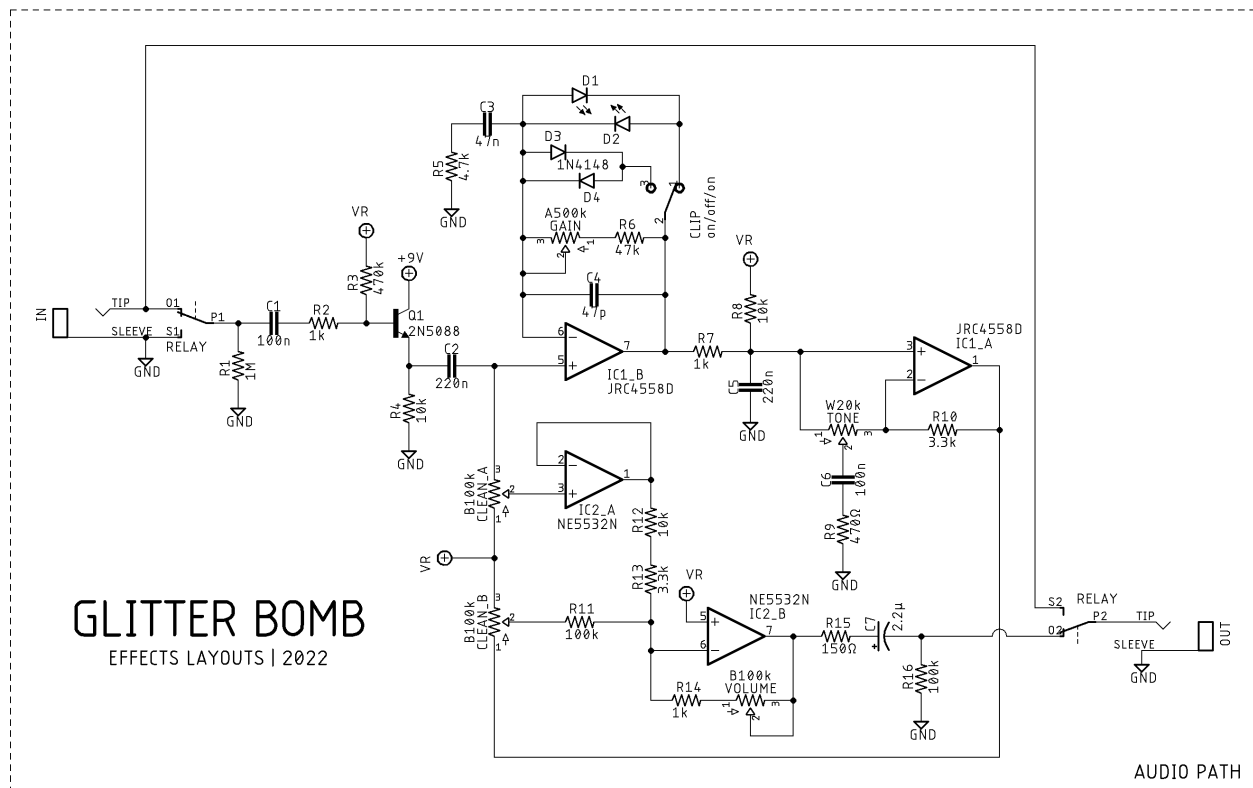


# GLITTER BOMB

## DESCRIPTION

While based on the TS808, the GLITTER BOMB has the added benefit of a blend-able clean channel. The clean channel is boosted clean signal, so the volume control affects both the clean and driven signals. No volume drop as clean signal is blended with the driven signal. Added to the drive section is a clipping switch, giving the option for standard 1N4148 silicon diodes, no diodes, or red LEDs. The GLITTER BOMB also incorporates latching relay switching for soft touch true bypass.

## SCHEMATIC



## BOM

### Resistors

R1	1M
R2	1k
R3	470k
R4	10k
R5	4.7k
R6	47k
R7	1k
R8	10k
R9	470Ω
R10	3.3k
R11	100k
R12	10k
R13	3.3k
R14	1k
R15	150Ω
R16	100k
R17	10k
R18	10k
R19	10k
R20	10k
R21	100k
R22	330Ω
R23	10k
R24	10k

### Capacitors

C1	100n
C2	220n
C3	47n
C4	47p
C5	220n
C6	100n
C7	2.2μ
C8	100μ
C9	100n

C10	100n
C11	33μ
C12	100μ
C13	1μ

### Semiconductors

D1	3mm red LED
D2	3mm red LED
D3	1N4148
D4	1N4148
D5	1N5817
IC1	JRC4558D
IC2	NE5532N
IC3	555
LED	3 or 5mm
Q1	2N5088
Q2	2N5088
Q3	2N5087
Q4	2N5088

### Electromechanical

CLEAN	B100k dual-gang
CLIP	SPDT on/off/on
FSW	Momentary footswitch
GAIN	A500k
RELAY	AL5WN-K or similar
TONE	W20k
VOLUME	B100k

### Notes

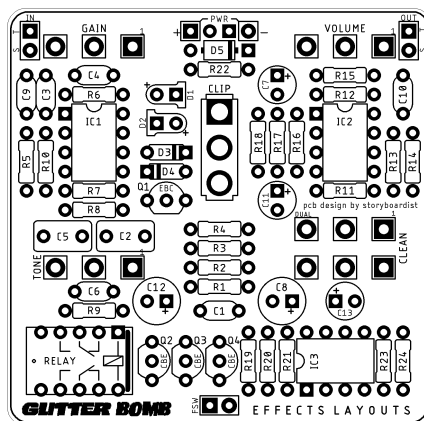
Similar medium-high hFE BJTs can be used for Q1-4, and other dual op amps for IC1-2. As always, sockets are your friend. A B20k pot can also be used for the Tone pot.

## SHOPPING LIST

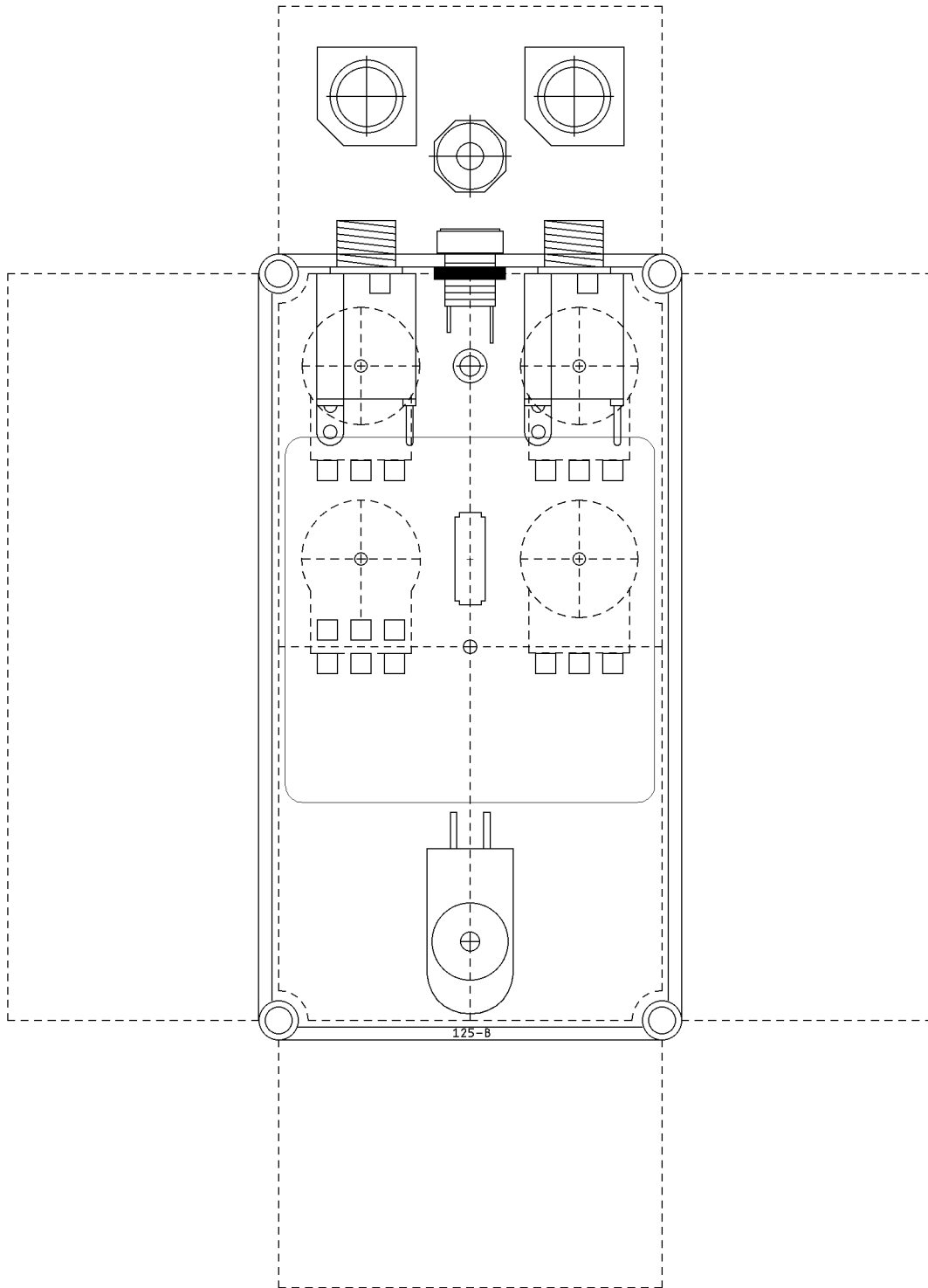
Value	Type (suggested)	Quantity
150Ω	¼ watt metal or carbon film	1
330Ω	¼ watt metal or carbon film	1
470Ω	¼ watt metal or carbon film	1
1k	¼ watt metal or carbon film	3

3.3k	¼ watt metal or carbon film	2
4.7k	¼ watt metal or carbon film	1
10k	¼ watt metal or carbon film	9
47k	¼ watt metal or carbon film	1
100k	¼ watt metal or carbon film	3
470k	¼ watt metal or carbon film	1
1M	¼ watt metal or carbon film	1
47p	Ceramic	1
47n	Film	1
100n (C9-10)	Ceramic	2
100n	Film	2
220n	Film	2
1µ	Electrolytic (25v+)	1
2.2µ	Electrolytic (25v+)	1
33µ	Electrolytic (25v+)	1
100µ	Electrolytic (25v+)	2
1N4148	Silicon switching diode	2
1N5817	Rectifier diode	1
2N5087	PNP BJT	1
2N5088	NPN BJT	3
555	Timer IC	1
JRC4558	Dual op amp	1
LED (D1-2)	3mm diffused red	2
LED	3 or 5mm	1
NE5532	Dual op amp	1
AL5WN-K	5v latching relay	1
A500k	16mm right angle PC mount	1
B100k	Dual-gang 16mm right angle PC mount	1
B100k	16mm right angle PC mount	1
Momentary	N.O. footswitch	1
W20k	16mm right angle PC mount	1
SPDT	On/off/on toggle	1

## LAYOUT



**DRILL TEMPLATE (125B)**



EFFECTS LAYOUTS © 2022  
For DIY and small commercial applications.  
Not for non-peer to peer resale.