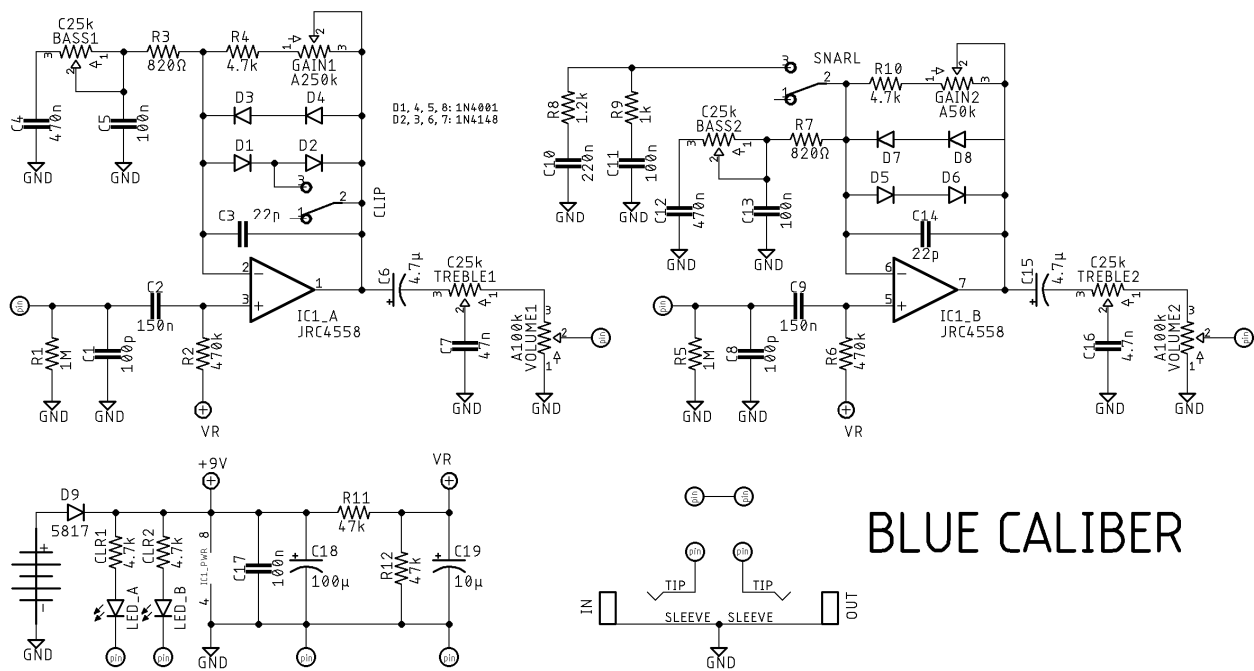


BLUE CAL DUAL DRIVER

DESCRIPTION

Over the years I've seen several designs using only half of a dual opamp. Seems kind of wasteful, but with the lessened demand for single opamps I get why it happens. Still though, I figured I'd take one of those designs that only uses half of a dual opamp and use the other half for another circuit that also only uses half. This resulted in the BLUE CAL DUAL DRIVER—one half of it is based on the Rockett Blue Note, and the other half is based 45 Caliber. Both are stripped down Timmy-ish circuits and really sound great. It's designed to fit in a 1590BB enclosure with top mounted jacks.

SCHEMATIC



BOM

Resistors

R1	1M
R2	470k
R3	820Ω
R4	4.7k
R5	1M
R6	470k
R7	820Ω
R8	1.2k
R9	1k
R10	4.7k
R11	47k
R12	47k
CLR1	4.7k
CLR2	4.7k

Capacitors

C1	100p
C2	150n
C3	22p
C4	470n
C5	100n
C6	4.7μ
C7	47n
C8	100p
C9	150n
C10	220n
C11	100n
C12	470n
C13	100n
C14	22p
C15	4.7μ
C16	4.7n
C17	100n

C18	100μ
C19	10μ

Semiconductors

D1	1N4001
D2	1N4148
D3	1N4148
D4	1N4001
D5	1N4001
D6	1N4148
D7	1N4148
D8	1N4001
D9	1N5817
IC1	JRC4558
LED1	3 or 5mm LED
LED2	3 or 5mm LED

Electromechanical

Bass 1	C25k
Bass 2	C25k
Clip	SPST on/on
Gain 1	A250k
Gain 2	A50k
Snarl	SPST on/on
Treble 1	C25k
Treble 2	C25k
Volume 1	A100k
Volume 2	A100k

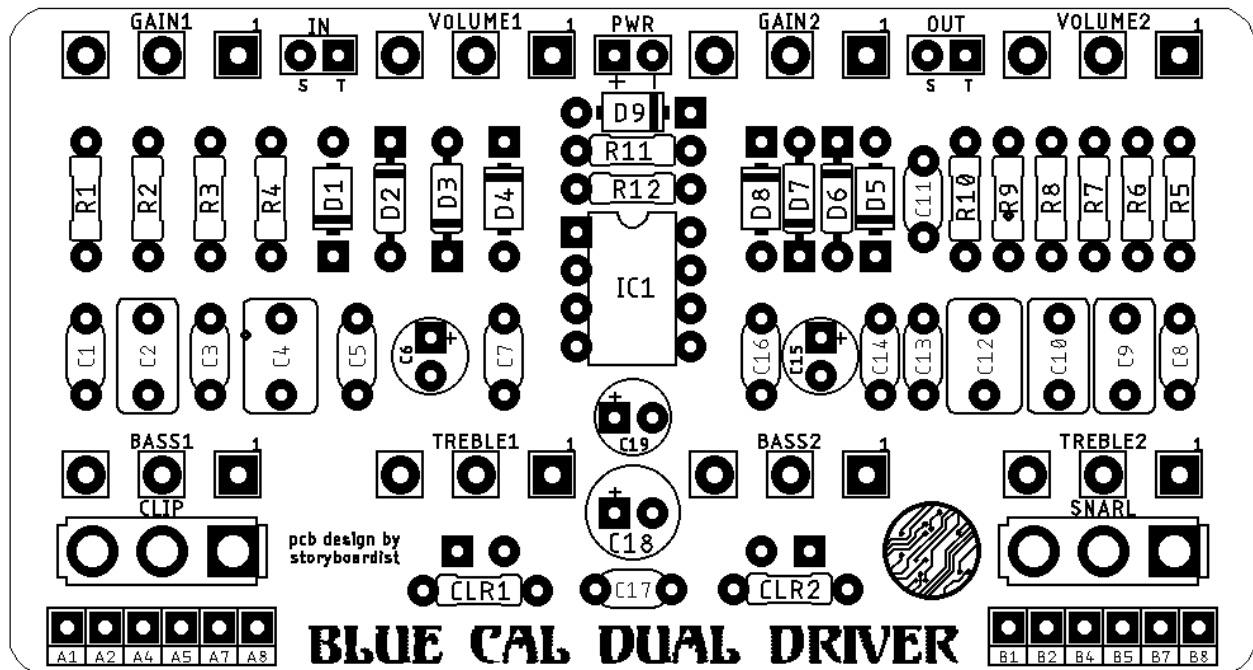
Notes: Other dual opamps can be used and will alter the tone of the effect some, but will still work fine. TL072, LM833, LM1458 are good subs, just to name a few. YMMV

SHOPPING LIST

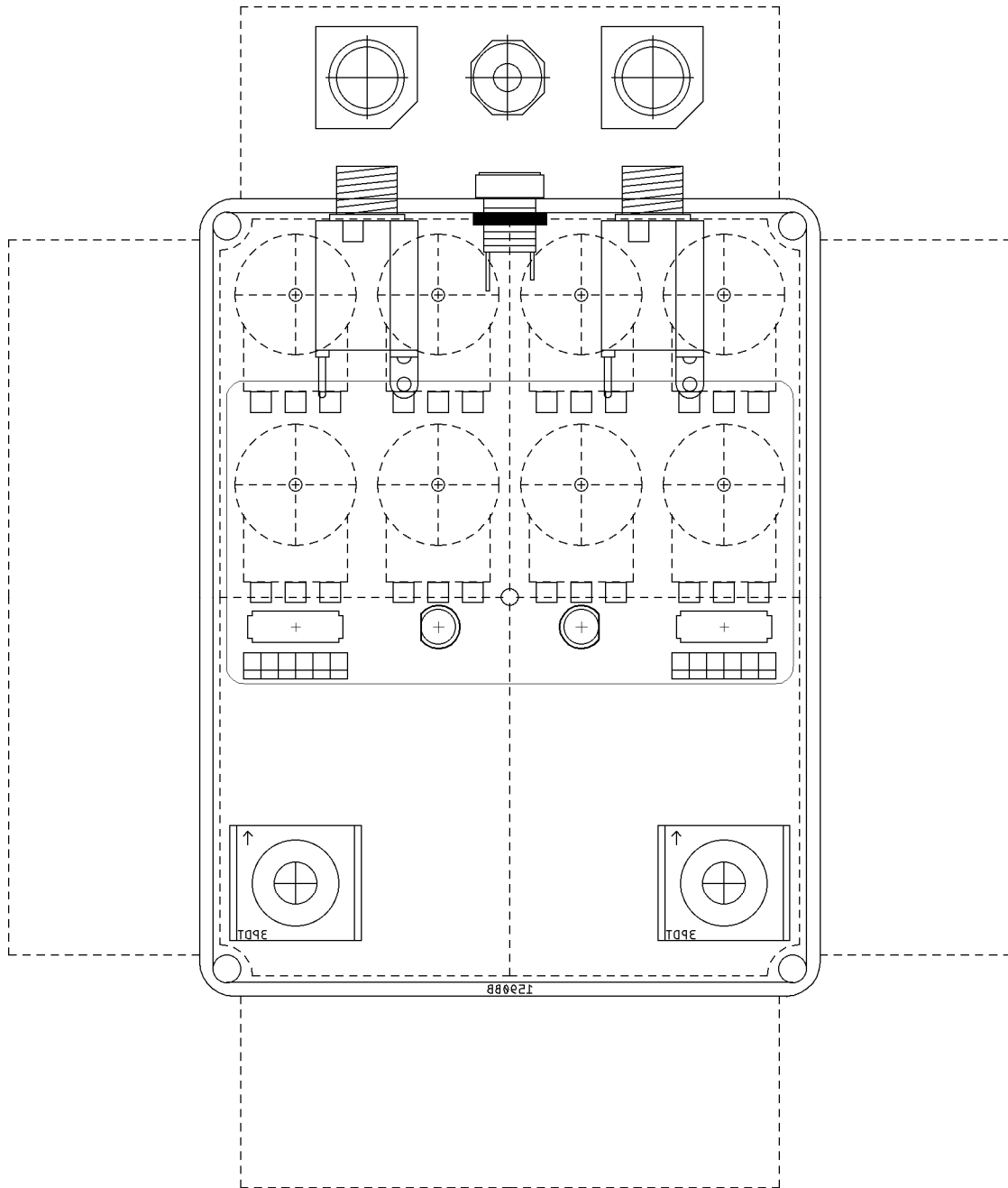
Part	Type (suggested)	Quantity
820Ω	¼ watt carbon or metal film	2
1k	¼ watt carbon or metal film	1
1.2k	¼ watt carbon or metal film	1
4.7k	¼ watt carbon or metal film	4
47k	¼ watt carbon or metal film	2
470k	¼ watt carbon or metal film	2
1M	¼ watt carbon or metal film	2

22p	Ceramic	2
100p	Ceramic	2
4.7n	Film	1
47n	Film	1
100n	Film	4
150n	Film	2
220n	Film	1
470n	Film	2
4.7μ	Electrolytic (35v or higher)	2
10μ	Electrolytic (35v or higher)	1
100μ	Electrolytic (35v or higher)	1
1N4001	Rectifier diode	4
1N4148	Silicon switching signal diode	4
1N5817	Schottky rectifier diode	1
JRC4558	Dual opamp	1
LED	3-5mm LED	2
A50k	16mm right angle PC mount	1
A100k	16mm right angle PC mount	2
A250k	16mm right angle PC mount	1
C25k	16mm right angle PC mount	4
SPST	On/on toggle switch	2

LAYOUT



DRILL TEMPLATE (1590BB)



EFFECTS LAYOUTS © 2019
For DIY and small commercial applications.
Not for non-peer to peer resale.