

BOM

Part	1977 spec	2003 spec
R1	1M	1M
R2	1M	1M
R3	10k	10k
R4	220k	omit
R5	120Ω	220Ω
R6	100k	100k
R7	10k	10k
R8	1k	1k
R9	10k	5.1k
R10	10k	5.1k
R11	jump	220Ω
R12	100k	82k
R13	120k	100k
CLR	4.7k	4.7k
C1	12n	10n
C2	10μ	10μ
C3	82n	82n
C4	470p	470p
C5	12n	22n
C6	12n	omit
C7	47n	56n
C8	100μ	100μ
C9	10μ	10μ
D1	1N4001	1N4001
IC1	LM741	TL071
LED	up to you	up to you
DRIVE	C50k	C50k
MID	SPDT on/on	omit
PRESENCE	omit	B25k
LEVEL	A50k	A50k

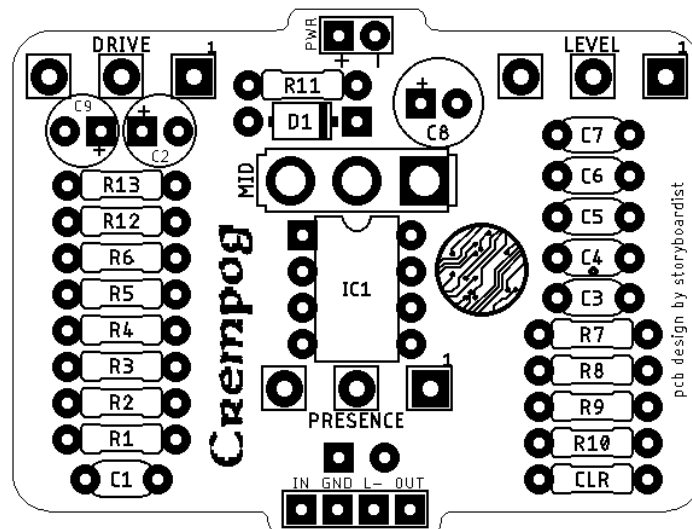
NOTE:

R12 and R13 form the voltage divider, providing ≈ 4.9 volts. The values in either version will provide that amount of voltage, just FYI.

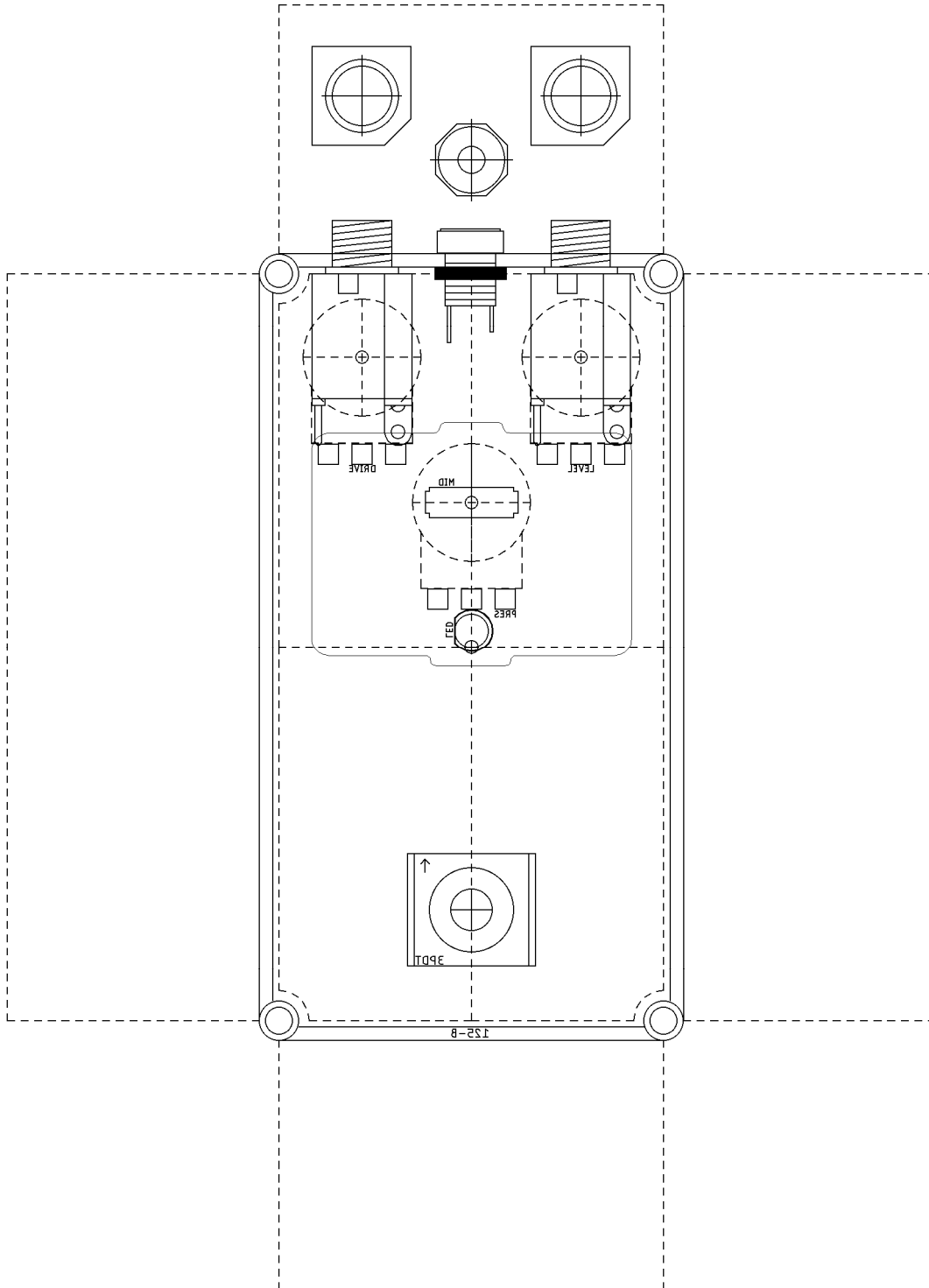
SHOPPING LIST

Value	Type (suggested)	Quantity (1977)	Quantity (2003)
120Ω	¼ watt metal or carbon film	1	-
220Ω	¼ watt metal or carbon film	-	2
1k	¼ watt metal or carbon film	1	1
4.7k	¼ watt metal or carbon film	1	1
5.1k	¼ watt metal or carbon film	-	2
10k	¼ watt metal or carbon film	4	2
82k	¼ watt metal or carbon film	-	1
100k	¼ watt metal or carbon film	2	2
120k	¼ watt metal or carbon film	1	-
220k	¼ watt metal or carbon film	1	-
1M	¼ watt metal or carbon film	2	2
470p	Ceramic (63v or higher)	1	1
10n	Film (63v or higher)	-	1
12n	Film (63v or higher)	3	-
47n	Film (63v or higher)	1	-
56n	Film (63v or higher)	-	1
82n	Film (63v or higher)	1	1
10μ	Electrolytic (25v or higher)	2	2
100μ	Electrolytic (25v or higher)	1	1
1N4001		1	1
LM741	Single opamp	1	-
TL071	Single opamp	-	1
LED	3mm or 5mm	1	1
A50k	16mm PC mount	1	1
B25k	16mm PC mount	-	1
C50k	16mm PC mount	1	1
SPDT	On/on toggle switch	1	-

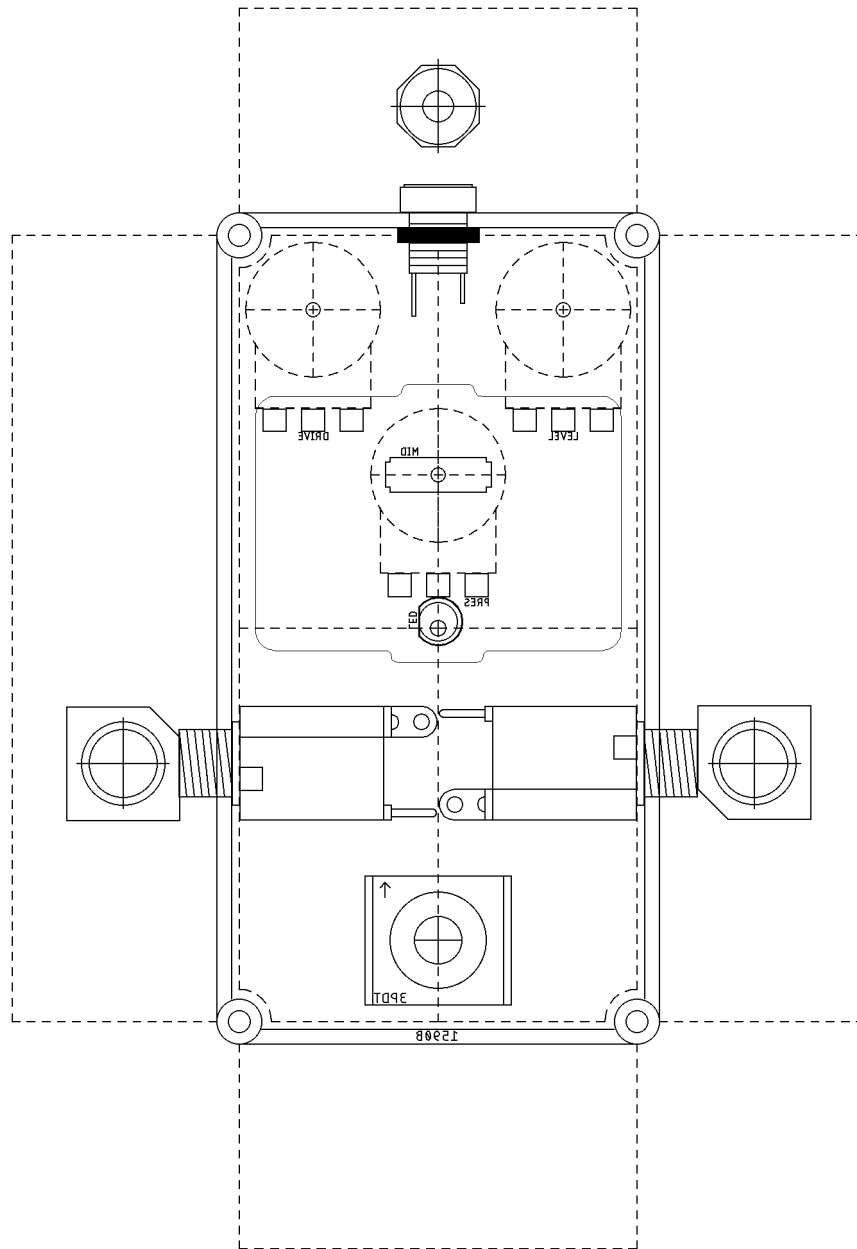
LAYOUT



DRILL TEMPLATE 125B



DRILL TEMPLATE 1590B



EFFECTS LAYOUTS © 2019
For DIY and small commercial applications.
Not for non-peer to peer resale.